

Customer Information Sheet

DRAWING No.: H3482-XXR

SHEET 2 OF 2

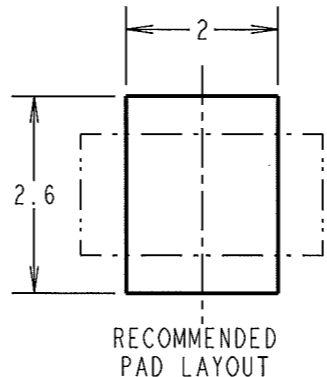
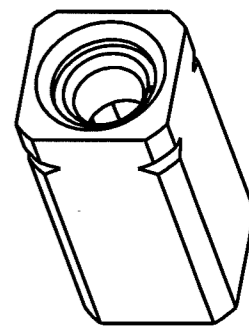
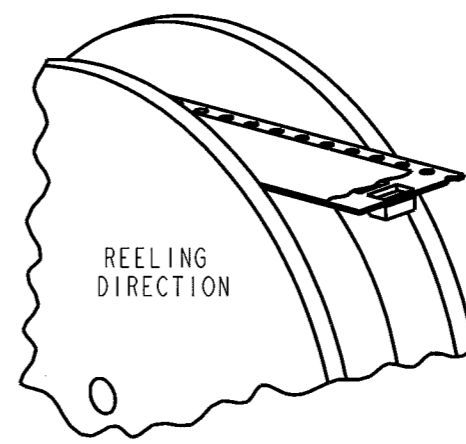
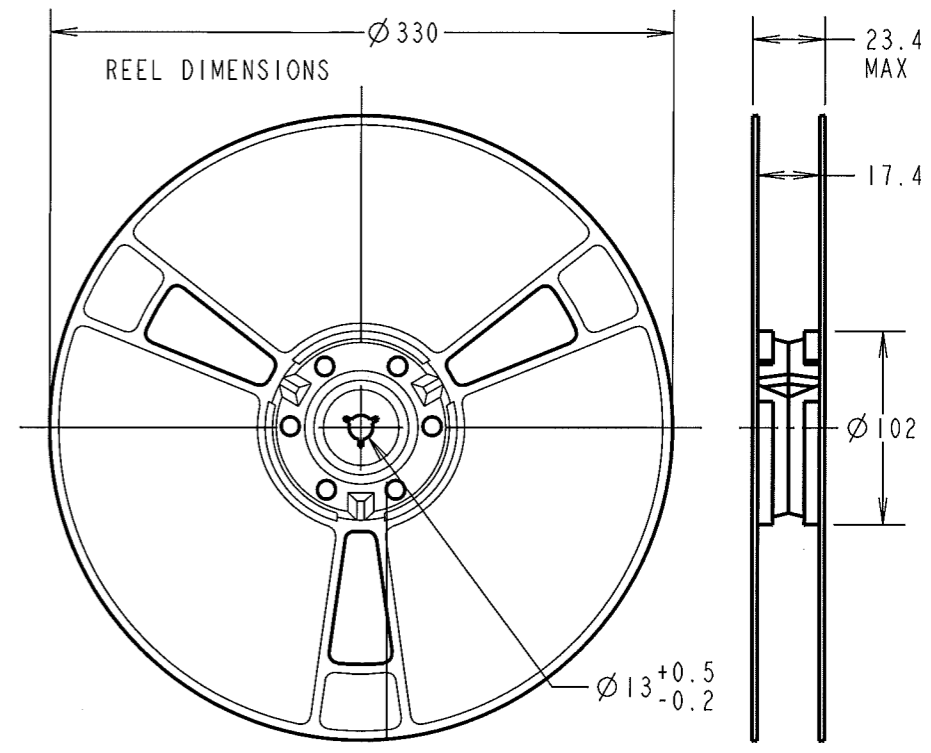
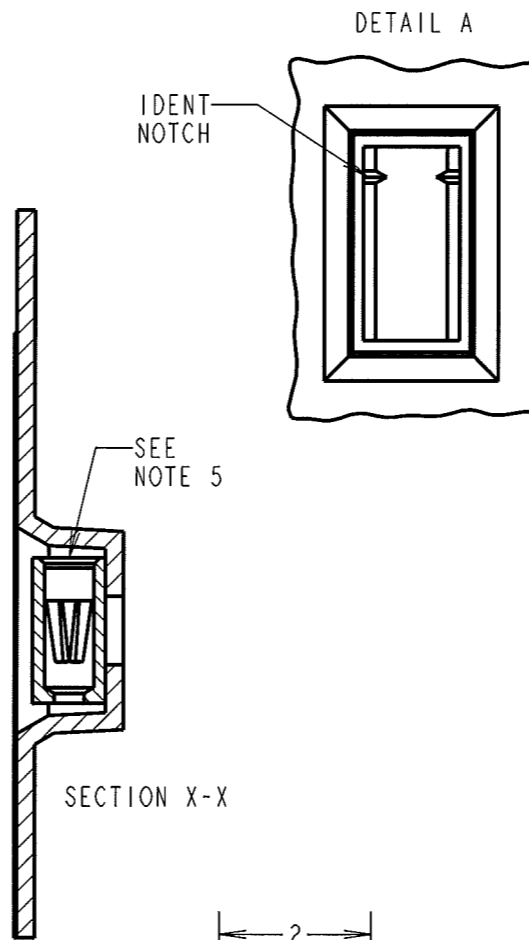
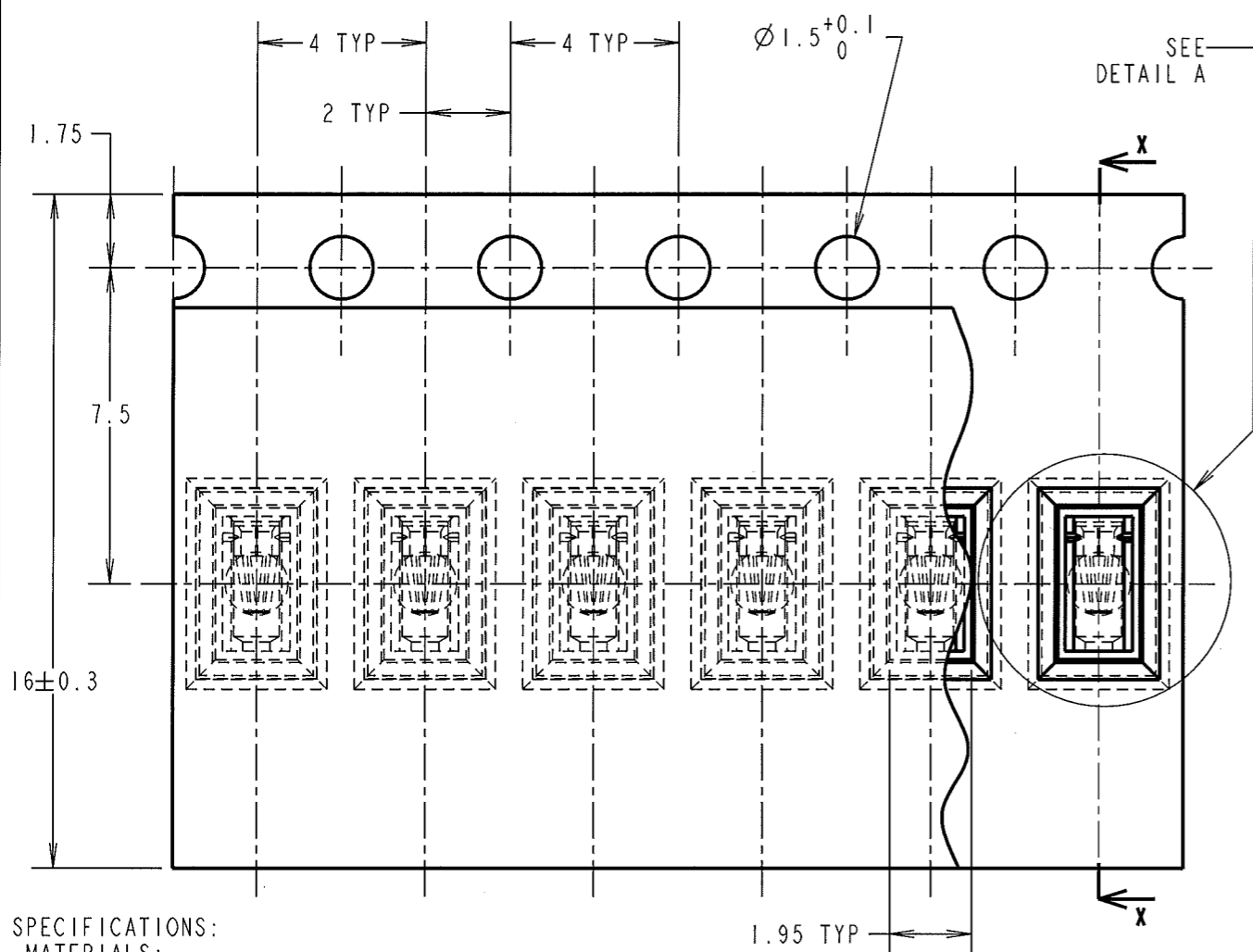
IF IN DOUBT - ASK

(C)

NOT TO SCALE

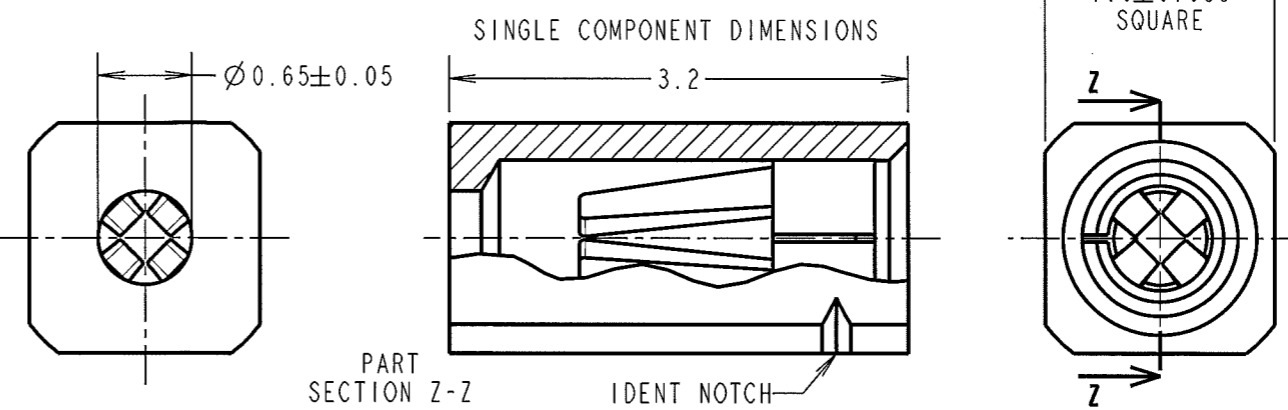
THIRD ANGLE PROJECTION

ALL DIMENSIONS IN mm



SPECIFICATIONS:
MATERIALS:
 SHELL = BRASS CW614N M TO BS EN 12164
 CLIP = BERYLLIUM COPPER CI7200 HM
FINISH:
 01 = 0.10-0.15µ GOLD CLIP, 3.5-5.0µ 90/10 TIN/LEAD SHELL (10% LEAD MIN)
 T6 = 1.0-1.5µ 90/10 TIN/LEAD CLIP, 3.5-5.0µ 90/10 TIN/LEAD SHELL (10% LEAD MIN)
 42 = 0.10-0.15µ GOLD CLIP, 3.5-5.0µ 100% TIN SHELL
ELECTRICAL:
 CURRENT RATING AT 25°C = 3 AMPS
 CURRENT RATING AT 85°C = 1 AMP
 CONTACT RESISTANCE (INITIAL) = 15mΩ MAX
 CONTACT RESISTANCE (AFTER CONDITIONING) = 23mΩ MAX
ENVIRONMENTAL:
 TEMPERATURE RANGE = -55°C TO +125°C
MECHANICAL:
 DURABILITY = 01 + 42 - 1000 OPERATIONS
 T6 - 50 OPERATIONS
 INSERTION FORCE (Ø0.46mm GAUGE) = 5.0N MAX
 WITHDRAWAL FORCE (Ø0.46mm GAUGE) = 0.5N MIN
 MATING PIN SIZE = Ø0.53-0.41mm
 PIN LENGTH = 2.8mm

ORDER CODE:
H3482-XXR
FINISH
 01 - GOLD CLIP, TIN/LEAD SHELL
 T6 - TIN/LEAD CLIP, TIN/LEAD SHELL
 42 - GOLD CLIP, 100% TIN SHELL



NOTES:
 1. QUANTITY PER REEL = 5,000.
 2. THIS PRODUCT IS TAPED AND REELED IN ACCORDANCE WITH EIA-481-2 (ELECTRONIC INDUSTRIES ASSOCIATION).
 3. FOR LOOSE COMPONENTS, SEE H3482-XX.
 4. FOR COMPLETE SPECIFICATION, SEE COMPONENT SPECIFICATION C004XX (LATEST ISSUE).
 5. COMPONENTS ORIENTED IN TAPE POCKETS SO THAT MATING END OF SOCKETS ARE FACING TOWARDS THE TAPE HOLES.

SF	3	31.07.08	10112
NAME	ISS.	DATE	C/NOTE
APPROVED: <i>[Signature]</i>			
CHECKED: <i>[Signature]</i>			
DRAWN: W. J. BOURNE			
CUSTOMER REF.:			
ASSEMBLY DRG:			

HARWIN			THIS DRAWING AND ANY INFORMATION OR DESCRIPTIVE MATTER SET OUT HEREON ARE CONFIDENTIAL AND COPYRIGHT PROPERTY OF THE HARWIN GROUP AND MUST NOT BE DISCLOSED, LOANED, COPIED OR USED FOR MANUFACTURING, TENDERING OR FOR ANY OTHER PURPOSE WITHOUT THEIR WRITTEN PERMISSION.	TOLERANCES X. = ±1mm X.X = ±0.25mm X.XX = ±0.10mm X.XXX = ±0.01mm ANGLES = ±5° UNLESS STATED	MATERIAL: SEE ABOVE FINISH: SEE ABOVE S/AREA: mm ²	TITLE: Ø0.5mm SURFACE MOUNT TEST SOCKET ASSEMBLY (TAPE AND REELED) DRAWING NUMBER: H3482-XXR	SHT 2 OF 2
HARWIN USA TEL: 603 893 5376 FAX: 603 893 5396 mis@harwin.com	HARWIN Europe (UK) TEL: 023 9231 4545 FAX: 023 9231 4590 mis@harwin.co.uk	HARWIN Asia TEL: +65 6 779 4909 FAX: +65 6 779 3868 mis@harwin.com.sg		TITLE: H3482-XXR			