

# MX-COM, INC. MiXed Signal ICs

DATA BULLETIN

## MX469 1200/2400/4800bps MSK Modem

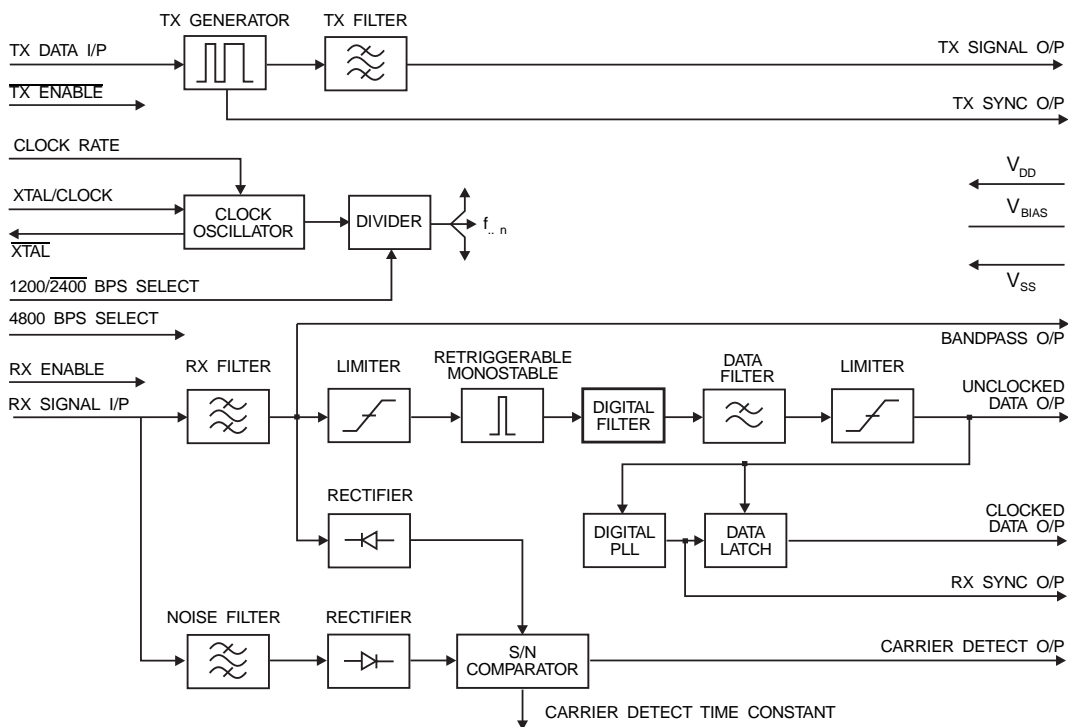
### Features

- Selectable Data Rates  
1200/2400/4800bps
- Full-Duplex MSK
- RX and TX Bandpass Filters
- Clock Recovery and  
Carrier Detect Capabilities
- Pin Selected Xtal/Clock Inputs  
1.008MHz or 4.032MHz

### Applications

- Radio and General Applications
- Data-Over-Radio
- PMR/Cellular Signaling
- Portable Data Terminals
- Personal/Cordless Telephone

MX469P package discontinued



The MX469 is a full-duplex pin-selectable 1200/2400/4800bps Minimum Shift Key (MSK) Modem for FM radio links. The mark and space frequencies are 1200/1800, 1200/2400, and 2400/4800Hz respectively. Tone frequencies are phase continuous; transitions occur at the zero crossing point. The use of a common Xtal oscillator with a choice of two clock frequencies (1.008MHz or 4.032MHz) provides data-rate, transmit frequencies, and RX/TX synchronization. The transmitter and receiver operate entirely independently including individual section powersave functions.

The MX469 includes on-chip circuitry for Carrier Detect and RX Clock Recovery, both of which are made available at output pins. RX, TX, and Carrier Detect circuits contain bandpass filters to provide high quality signals in their respective paths. The carrier detect time constant is set by an external capacitor, whose value should be arranged as required to further enhance this product's performance in high-noise environments.

The MX469 demonstrates high sensitivity and good bit-error-rate under adverse signal conditions.

This low-power device requires few external components and is available in the following packages: 24-pin SOIC (MX469DW), 22-pin PDIP (MX469P), and 20-pin SOIC (MX469D3).

# Contents

Section	Page
<b>1. Block Diagram.....</b>	<b>3</b>
<b>2. Signal List.....</b>	<b>4</b>
<b>3. External Components.....</b>	<b>6</b>
<b>4. General Description.....</b>	<b>7</b>
4.1 Timing.....	7
4.1.1 1200bps .....	7
4.1.2 2400bps .....	8
4.1.3 4800bps .....	9
<b>5. Application .....</b>	<b>10</b>
5.1 Synchronous Modem Design Considerations .....	10
5.2 Bit Error Rate .....	11
<b>6. Performance Specifications.....</b>	<b>12</b>
6.1 Electrical Specifications .....	12
6.1.1 Absolute Maximum Limits .....	12
6.1.2 Operating Limits .....	12
6.1.3 Operating Characteristics.....	13
6.1.4 Packages .....	15

MXCOM, Inc. reserves the right to change specifications at any time and without notice.
---

MX469P package discontinued

# 1. Block Diagram

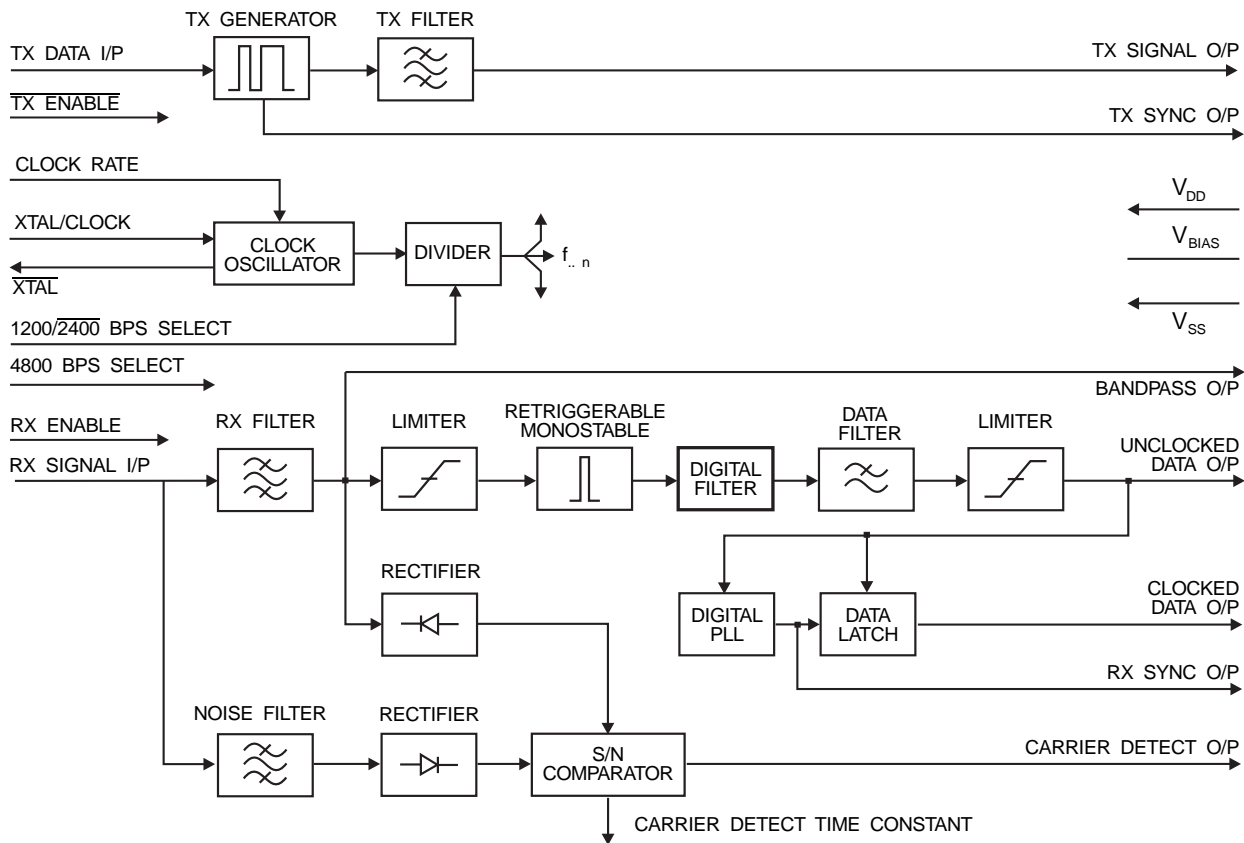


Figure 1: Block Diagram

MX469P package discontinued

## 2. Signal List

			Signal	Type	Description
P	DW	D3			
1	1	1	Xtal/Clock	input	The input to the on-chip inverter, for use with either a 1.008MHz or a 4.032MHz Xtal or external clock. Clock frequency selection is by the "Clock Rate" input pin. The selection of this frequency will affect the operational Data Rate of this device. Refer to Table 3. Operation of any MX•COM IC without a Xtal or clock input may cause device damage. To minimize damage in the event of a Xtal/drive failure, it is recommended that a current limiting device (resistor or fast-reaction fuse) be installed on the power supply ( $V_{DD}$ ).
2	2	2	$\overline{\text{Xtal}}$	output	Output of the on-chip inverter.
3	3	3	TX Sync	output	A squarewave, produced on-chip, to synchronize the input of logic data and transmission of the MSK signal (See Figure 3).
5	5	4	TX Signal	output	When the transmitter is enabled, this pin outputs the (140-step pseudo sine wave) MSK signal (See Figure 3). With the transmitter disabled, this output is set to a high-impedance state.
6	7	5	TX Data	input	Serial logic data to be transmitted is input to this pin.
7	8	6	$\overline{\text{TX Enable}}$	Input	A logic '0' will enable the transmitter (See Figure 3). A logic '1' at this input will put the transmitter into powersave while forcing "TX Sync Out" to a logic '1' and "TX Signal Out" to a high-impedance state. This pin is internally pulled to $V_{DD}$ .
8	9	7	Bandpass	output	The output of the RX Bandpass Filter. This output impedance is typically 10k $\Omega$ and may require buffering prior to use.
9	10	8	RX Enable	Input	The control of the RX function. The control of other outputs is provided in Table 2
10	11	9	$V_{BIAS}$	power	The output of the on-chip analog bias circuitry. Held internally at $V_{DD}/2$ , this pin should be decoupled to $V_{SS}$ by a capacitor (C2). See Figure 2 and RX Enable notes. This bias voltage is maintained under all powersave conditions.
11	12	10	$V_{SS}$	power	Negative supply (GND).
12	13	11	Unlocked Data	output	The recovered asynchronous serial data output from the receiver.
13	14	12	Clocked Data	output	The recovered synchronous serial data output from the receiver. Data is latched out by the recovered clock, available at the "RX Sync O/P". (See Figure 4 and Figure 6).
14	15	13	Carrier Detect	output	For 1200 and 2400bps operation only. When an MSK signal is being received this output is a logic '1'. The Carrier Detect signal should be ignored during 4800bps operation.
15	16	14	RX Signal	input	The MSK signal input for the receiver. This input should be coupled via a capacitor, C3.

MX469P package discontinued

			Signal	Type	Description
P	DW	D3			
17	18	15	RX Sync	output	A flywheel squarewave output. This clock will synchronize to incoming RX MSK data. (See Figure 4 and Figure 6).
16	19	16	1200/2400 BPS Select	input	A logic '1' on this pin selects the 1200bps option; tone frequencies are one cycle of 1200Hz represents a logic '1', one-and-a-half cycles of 1800Hz represents a logic '0'. A logic '0' on this pin selects the 2400bps option; tone frequencies are one-half cycle of 1200Hz represents a logic '1', one cycle of 2400Hz represents a logic '0'. This pin has an internal 1M $\Omega$ pull-up resistor. Operational Data Rate Configurations are illustrated in Table 3
18	20	17	4800 BPS Select	input	A logic '1' on this pin combined with a logic '0' on the 1200/2400 BPS Select pin will select the 4800 option (1M $\Omega$ pulldown resistor). Tone frequencies are: one-half cycle of 2400Hz represents a logic '1', one cycle of 4800Hz represents a logic '0'. This state can only be achieved using a 4.032MHz Xtal input. Operational Data Rate Configurations are illustrated in Table 3
19	21	18	Clock Rate	input	A logic input to select and allow the use of either a 1.008MHz or 4.032MHz Xtal/clock. Logic '1' = 4.032MHz, logic '0' = 1.008MHz. This input has an internal pulldown resistor (1.008MHz).
20	23	19	Carrier Detect Time Constant	output	Part of the carrier detect integration function. The value of C4 connected to this pin will affect the carrier detect response time and therefore the noise performance (See Figure 2, Note 3).
22	24	20	V <sub>DD</sub>	power	Positive supply. A single 5-volt supply is required.
4, 21	4, 6, 17, 22		N/C		No Internal Connection.

MX469P package discontinued

Table 1: Signal List

RX Enable	=	RX Function	Clock Data Output	Carrier Detect	Rx Sync Out
1	=	Enabled	Enable	Enabled	Enabled
0	=	Powersave	0	0	1 or 0

Table 2: RX Enable Control Functions

XTAL/CLOCK Frequency	1.008MHz		4.032MHz		
Clock Rate pin	0	0	1	1	1
1200/2400 Select Pin	1	0	1	0	0
4800 Select Pin	0	0	0	0	1
Data Rate (bps)	1200	2400	1200	2400	4800

Table 3: Operational Data Rate Configuration

### 3. External Components

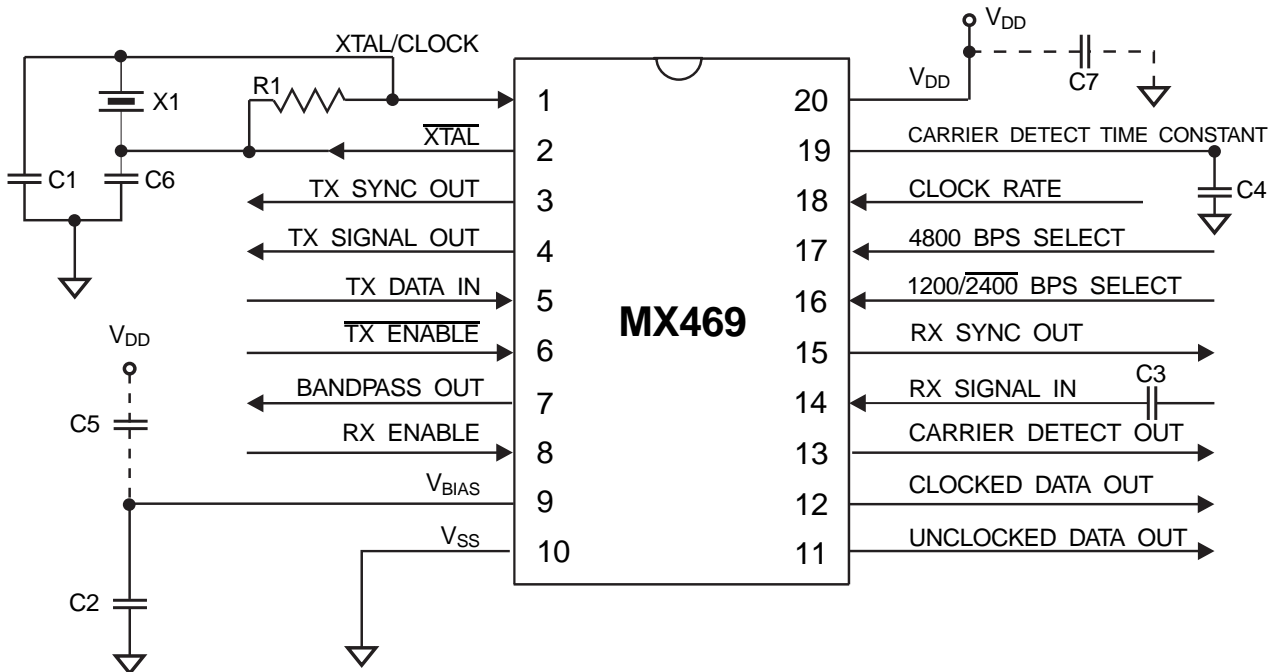


Figure 2: Recommended External Components

Component	Notes	Value	Tolerance
R1		1.0MΩ	±10%
C1		33pF	±5%
C2		1.0μF	±20%
C3		0.1μF	±20%
C4	Note 1	0.1μF	±10%
C5	Note 2	1.0μF	±25%
C6	Note 3	33pF	±5%
C7	Note 2	1.0μF	±20%
X1	Note 4	1.008MHz or 4.032MHz	See 'Clock-Rate' Pin

Table 4: Recommended External Components

#### Notes:

1. The value of C4 determines the Carrier Detect time constant. A long time constant results in improved noise immunity but increased response time. C4 may be varied to trade-off response time for noise immunity.
2. Decoupling circuits depend upon whether the input signal is referenced to  $V_{BIAS}$  or  $V_{SS}$ . Use C5 when the input signal is referenced to  $V_{BIAS}$ . Use C7 when the input signal is referenced to  $V_{SS}$ . It is not necessary to use both C5 and C7.
3. C6 reduces Xtal voltage overshoot. Reference the MX-COM Xtal Application Note.
4. For best results, a crystal oscillator design should drive the clock inverter input with signal levels of at least 40% of  $V_{DD}$ , peak to peak. Tuning fork crystals generally cannot meet this requirement. To obtain crystal oscillator design assistance, consult your crystal manufacturer.

## 4. General Description

### 4.1 Timing

#### 4.1.1 1200bps

Characteristics		Note	Min.	Typ.	Max.	Unit
TX Enable to TX Sync Rise Time	$t_{\text{SYNC}}$			416		$\mu\text{s}$
TX Delay, Signal to Disable Time	$t_{\text{ESET}}$		2.0		800	$\mu\text{s}$
Data Set-Up Time	$t_{\text{DSET}}$	1	2.0			$\mu\text{s}$
Data Hold Time	$t_{\text{DH}}$		2.0			$\mu\text{s}$
TX Delay to O/P Time	$t_{\text{TXD}}$			1.2		$\mu\text{s}$
TX Data Rate Period	$t_{\text{TDR}}$			833		$\mu\text{s}$
RX Data Rate Period	$t_{\text{RDR}}$		800		865	$\mu\text{s}$
Undetermined State					2.0	$\mu\text{s}$
Internal RX Delay	$t_{\text{ID}}$			1.5		ms

**Notes:**

1. Consider the Xtal/clock tolerance.
2. All TX timings are related to the TX Sync Output.

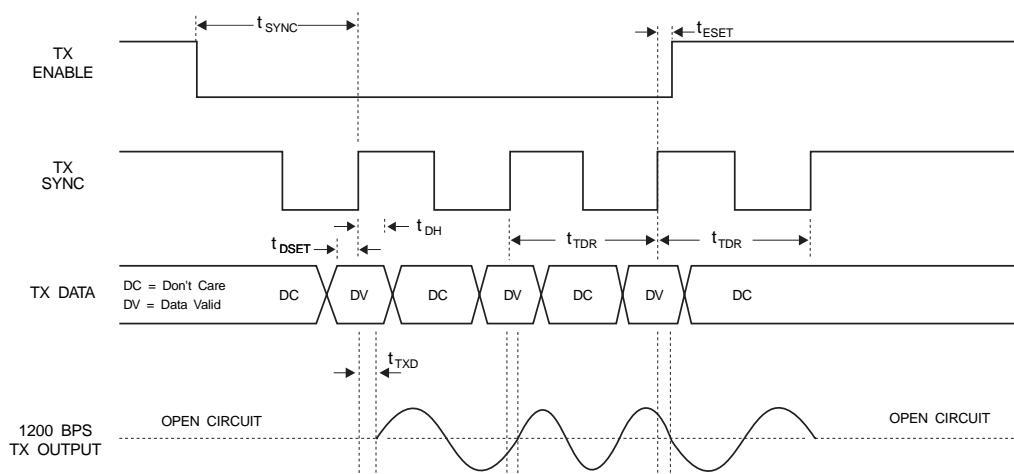


Figure 3: Transmitter Timing: 1200bps

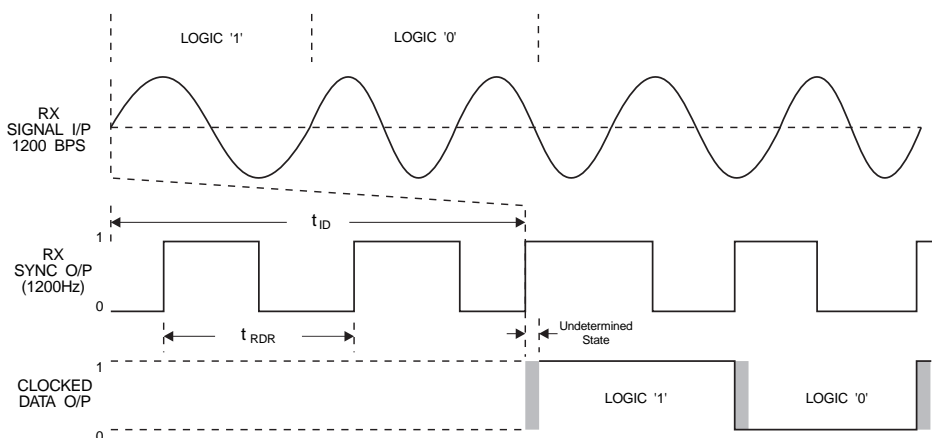


Figure 4: Receiver Timing Diagram: 1200bps

MX469P package discontinued

4.1.2 2400bps

Characteristics		Note	Min.	Typ.	Max.	Unit
TX Enable to TX Sync Rise Time	$t_{\text{SYNC}}$			208		$\mu\text{s}$
TX Delay, Signal to Disable Time	$t_{\text{ESET}}$		2.0		400	$\mu\text{s}$
Data Set-Up Time	$t_{\text{DSET}}$	1	2.0			$\mu\text{s}$
Data Hold Time	$t_{\text{DH}}$		2.0			$\mu\text{s}$
TX Delay to O/P Time	$t_{\text{TXD}}$			1.2		$\mu\text{s}$
TX Data Rate Period	$t_{\text{TDR}}$			416		$\mu\text{s}$
RX Data Rate Period	$t_{\text{RDR}}$		400		433	$\mu\text{s}$
Undetermined State					2.0	$\mu\text{s}$
Internal RX Delay	$t_{\text{ID}}$			1.5		ms

Notes:

1. Consider the Xtal/Clock tolerance.
2. All TX timings are related to the TX Sync Output.

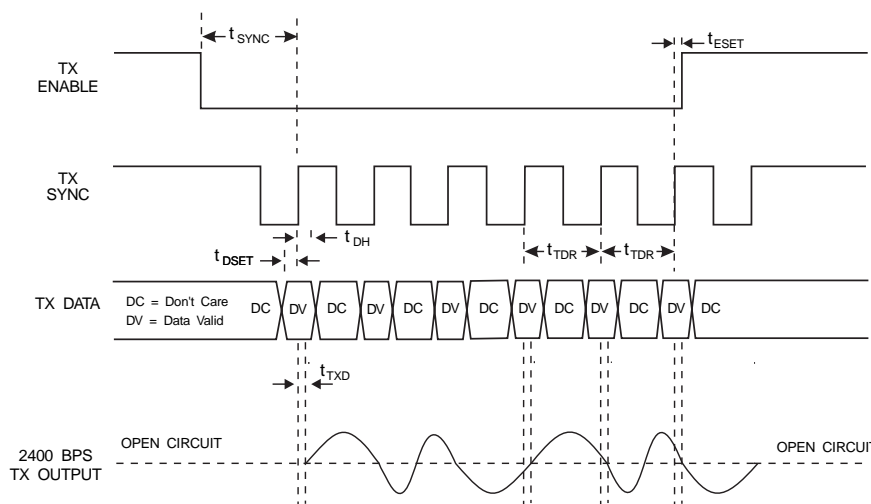


Figure 5: Transmitter Timing: 2400bps

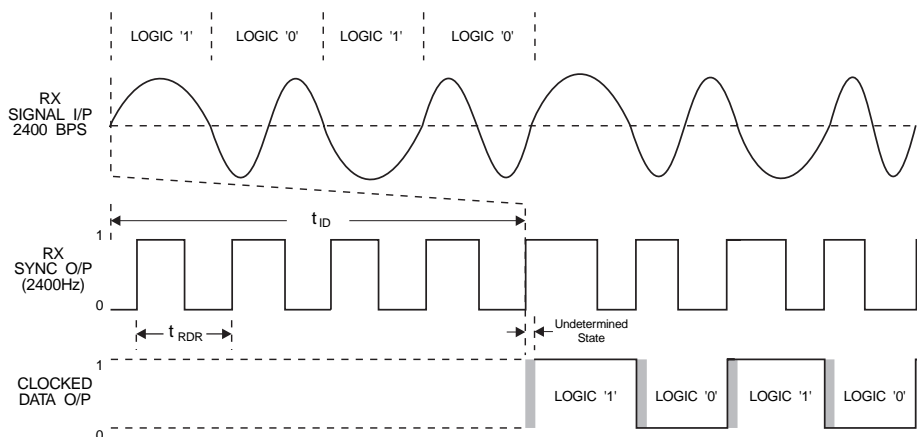


Figure 6: Receiver Timing: 2400bps

MX469P package discontinued

4.1.3 4800bps

Characteristics		Note	Min.	Typ.	Max.	Unit
TX Enable to TX Sync Rise Time	$t_{\text{SYNC}}$			104		$\mu\text{s}$
TX Delay, Signal to Disable Time	$t_{\text{ESET}}$		2.0		200	$\mu\text{s}$
Data Set-Up Time	$t_{\text{DSET}}$	1	2.0			$\mu\text{s}$
Data Hold Time	$t_{\text{DH}}$		2.0			$\mu\text{s}$
TX Delay to O/P Time	$t_{\text{TXD}}$			1.2		$\mu\text{s}$
TX Data Rate Period	$t_{\text{TDR}}$			208		$\mu\text{s}$
RX Data Rate Period	$t_{\text{RDR}}$		200		216	$\mu\text{s}$
Undetermined State					2.0	$\mu\text{s}$
Internal RX Delay	$t_{\text{ID}}$			1.0		ms

Notes:

1. Consider the Xtal/Clock tolerance.
2. All TX timings are related to the TX Sync Output.

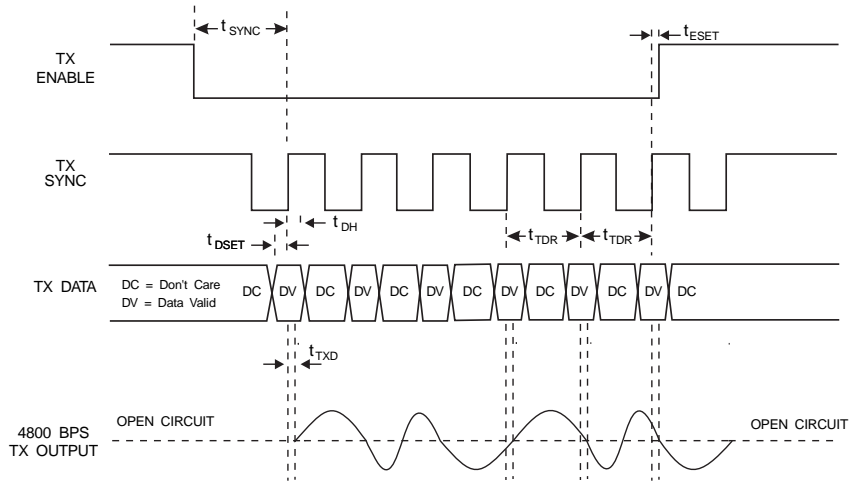


Figure 7: Transmitter Timing: 4800bps

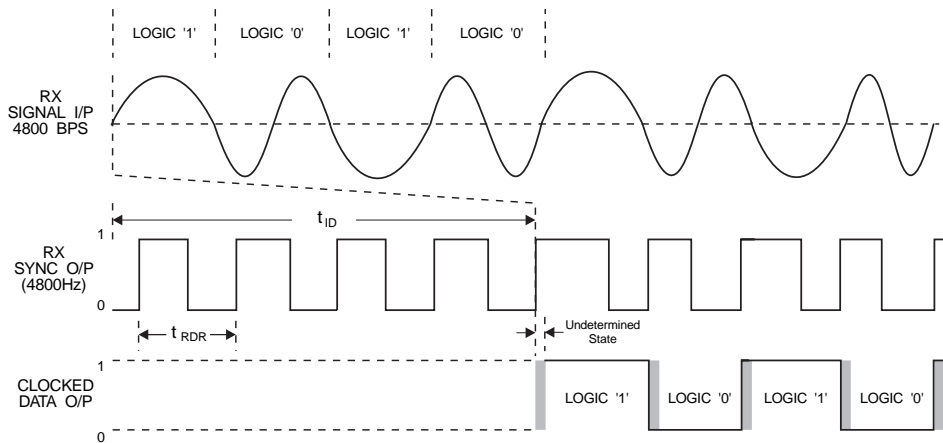


Figure 8: Receiver Timing: 4800bps

MX469P package discontinued

## 5. Application

### 5.1 Synchronous Modem Design Considerations

The MX469 is an easily applied data pump, which can be used with many protocols. Because it is an MSK, or minimum shift keying, modem, it achieves a more noise resistant, higher data rate in a narrower bandwidth than other FSK (frequency shift keying) modems. This characteristic is especially important for wireless applications because it fundamentally determines the bandwidth of RF transmissions, which are strictly limited and controlled by regulatory agencies. Using MSK signaling, the MX469 data modem can achieve a 2400bps data rate within the typical 300-3000 Hz voice band of many common radios.

In order to achieve this advantage, an MSK modem must precisely control the bit rate and timing of the modulated Tx output signal bits. This control is asserted by the MSK modem with a data clock signal, which is output, by the modem to pace the Tx data source (e.g. a microcontroller). The data clock signal, in effect, indicates when the Tx data source should provide the next Tx data bit to the modem. See Figure 9. Because this type of interface involves the use of a modem generated bit clock signal to control the timing of when new Tx data bits must be supplied from the data source, the interface is called synchronous.

Another characteristic of a synchronous modem is that, to receive data, it must first learn the data bit timing of the Rx signal stream before it can accurately demodulate Rx data bits. Accordingly, a synchronous modem undergoes a period of training or synchronization when it first begins to receive a stream of MSK modulated signal. During this initial receive phase, the received signal is evaluated over several bit times as the modem 'locks on' and achieves proper receive synchronization. The training sequence, called a preamble, is a specific data pattern which must be added to the 'front' of a transmit data stream with the start of each new transmission. A specific preamble data pattern (e.g. 16 bits of alternating 0,1,0,1... for the MX469) is used to optimize the training accuracy while minimizing the number of preamble bits required.

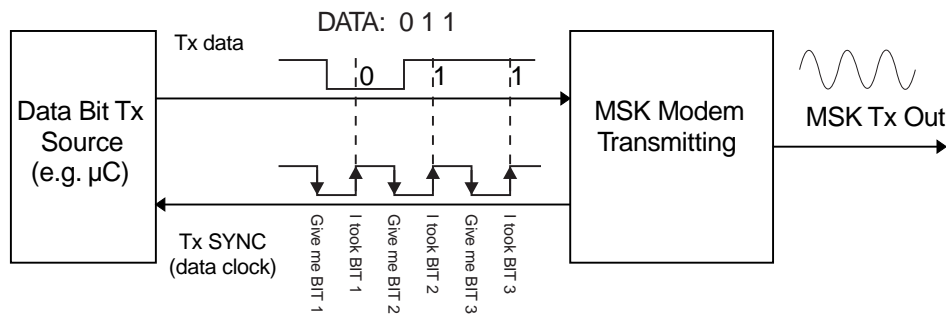


Figure 9: Synchronous Transmit Operation

Non-synchronous or asynchronous interfaces are commonly found in wired applications which do not have the bandwidth efficiency requirements of wireless systems. A well known example is the serial port of a personal computer which can transmit a 1200 bps (or faster) data signal over a single Tx signal without using an additional data clock signal to control the precise rate and timing of data bits being transmitted to a typical telephone line data modem. Popular modem standards such as Bell 202 and v.23 use FSK signaling to pass such asynchronous serial port data signals over telephone systems.

Another aspect of asynchronous interfaces and modems is that they can carry data streams which are not at the exact, nominal data rate. For example, a 1200 bps FSK modem will typically operate properly when supplied with transmit data streams of 1201 bps or 1199 bps.

Because of the differences in synchronous and asynchronous interfaces, they cannot successfully operate if directly connected. In other words, a personal computer's RS232 serial port cannot directly interface to an MSK modem. This is because:

- The asynchronous interface may provide data bits too fast or too slow compared to the precise rate required for MSK signaling (a bit rate, or pacing, incompatibility).
- The timing of each specific data bit presented by an asynchronous interface will not be aligned with the precise bit timing required for MSK signaling (a bit timing incompatibility).

Synchronous and asynchronous interface can be successfully interfaced for applications requiring the advantages of both. This typically involves the use of data buffering and retiming circuits to resolve the timing and pacing issues.

## 5.2 Bit Error Rate

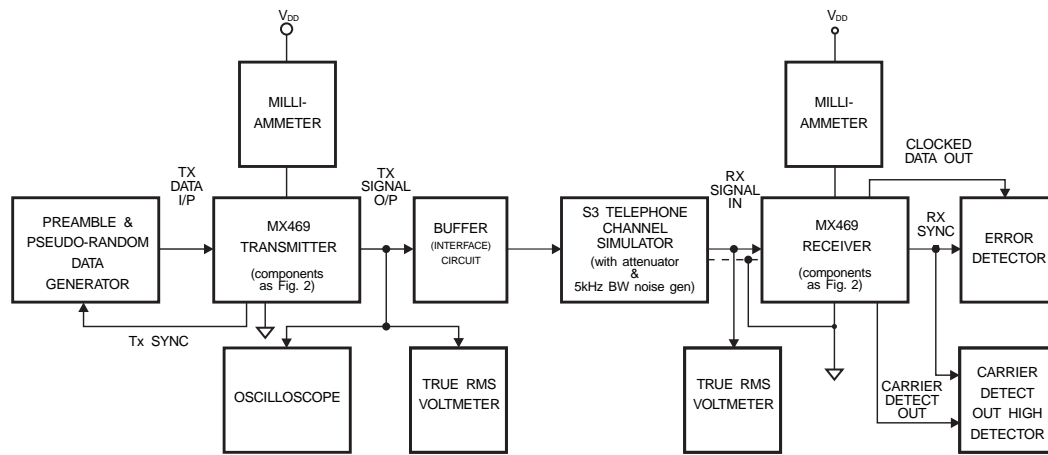


Figure 10: MX469 Test Set-Up

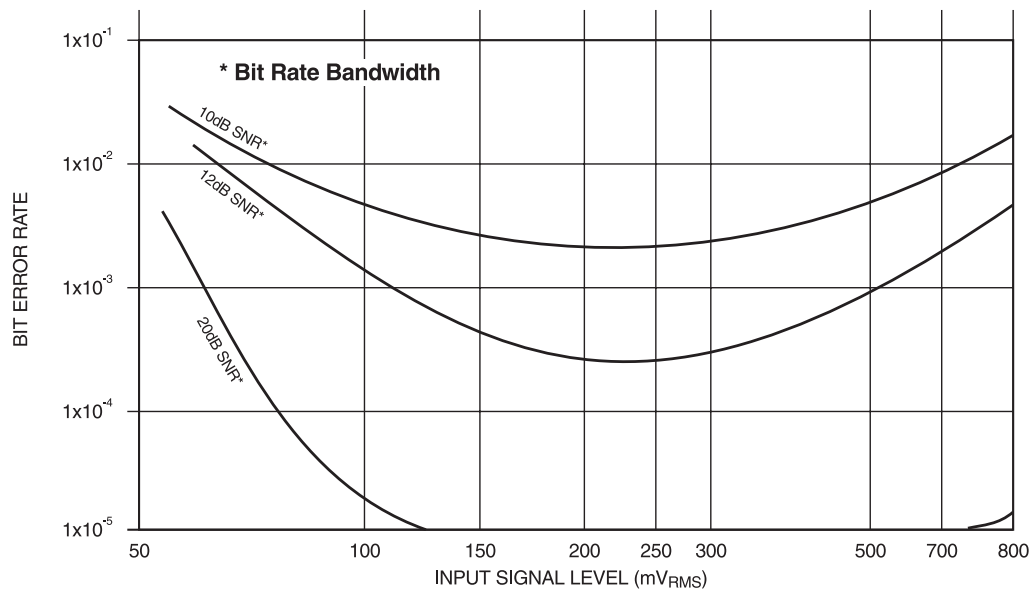


Figure 11: Typical Variation of Bit Error Rate with Input Level

MX469P package discontinued

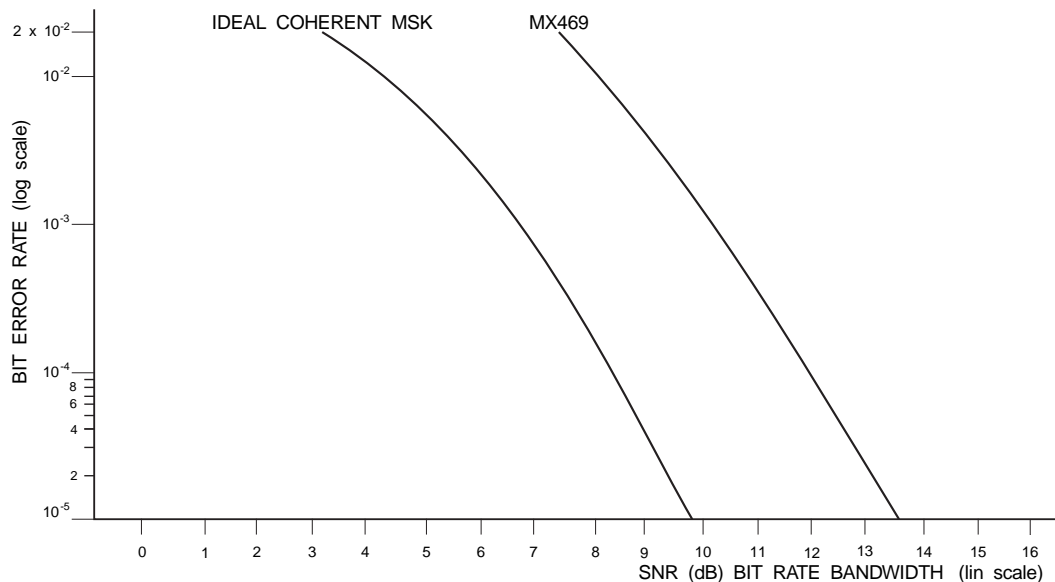


Figure 12: RX Bit-Error-Rate vs. Signal-to-Noise Ratio

## 6. Performance Specifications

### 6.1 Electrical Specifications

#### 6.1.1 Absolute Maximum Limits

Exceeding these maximum ratings can result in damage to the device.

General	Notes	Min.	Typ.	Max.	Units
Supply ( $V_{DD}-V_{SS}$ )		-0.3		7.0	V
Voltage on any pin to $V_{SS}$		-0.3		$V_{DD} + 0.3$	V
Current					
$V_{DD}$		-30		30	mA
$V_{SS}$		-30		30	mA
Any other pin		-20		20	mA
<b>DW / D3 / P Packages</b>					
Derating above 25°C			10		mW/°C above 25°C
Operating Temperature		-40		85	°C
Storage Temperature		-55		125	°C

#### 6.1.2 Operating Limits

Correct Operation of the device outside these limits is not implied.

	Notes	Min.	Typ.	Max.	Units
Supply ( $V_{DD}-V_{SS}$ )		4.5	5.0	5.5	V
Operating Temperature		-40		85	°C
Xtal Frequency		1.008		4.032	MHz

MX469P package discontinued

### 6.1.3 Operating Characteristics

For the following conditions unless otherwise specified.

$V_{DD} = 5.0V @ T_{AMB} = 25^{\circ}C$

Audio Level 0dB ref. = 300mV<sub>RMS</sub>, Xtal/Clock Frequency = 4.032MHz

Signal-to-Noise Ratio measured in the Bit-Rate Bandwidth

1200bps BRB = 1200Hz

2400bps BRB = 2400Hz

4800bps BRB = 4800Hz

	Notes	Min.	Typ.	Max.	Units
<b>Static Values</b>					
Supply Current					
RX Enabled, TX Disabled			3.6		mA
RX and TX Enabled			4.5		mA
RX and TX Disabled			650		μA
Logic '1' Level	1	4.0			V
Logic '0' Level	1			1.0	V
Digital Output Impedance			4.0		kΩ
Analog and Digital Input Impedance		100			kΩ
TX Output Impedance			0.6	1.0	kΩ
On-Chip Xtal Oscillator					
R <sub>IN</sub>		10.0			MΩ
R <sub>OUT</sub>			10.0		kΩ
Inverter DC Voltage Gain			10.0		V/V
Gain Bandwidth Product			10.0		MHz
<b>Dynamic Values</b>					
<b>Receiver</b>					
Signal Input Dynamic Range					
SNR = 50dB	3, 4	100	230	1000	mV <sub>RMS</sub>
Bit Error Rate					
SNR = 12dB	4		7.0		10 <sup>-4</sup>
1200bps			2.5		10 <sup>-4</sup>
2400bps			1.5		10 <sup>-3</sup>
4800bps			1.5		10 <sup>-3</sup>
SNR = 20dB	4				
1200/2400/4800bps			1.0		10 <sup>-8</sup>
<b>Receiver Synchronization</b>					
<b>SNR = 12dB</b>	7				
Probability of Bit 8 Being Correct			99		%
Probability of Bit 16 Being Correct			99.5		%
<b>Carrier Detect</b>	5, 10				
Sensitivity	7, 8			150	mV <sub>RMS</sub>
Probability of C.D. Being High					
After Bit 8		(1200bps) SNR = 12dB	5, 9	98	%
After Bit 16		SNR = 12dB	5, 9	99.5	%
0dB Noise		No Signal	9	5	%

MX469P package discontinued

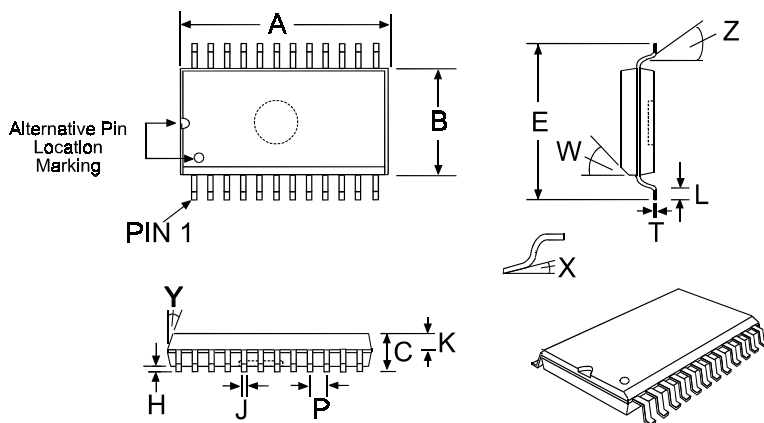
	Notes	Min.	Typ.	Max.	Units
<b>Transmitter Output</b>					
TX Output Level			775		mV <sub>RMS</sub>
Output Level Variation					
1200/1800Hz		0		±1.0	dB
1200/2400Hz		0		±1.0	dB
2400/4800Hz		0		±1.0	dB
Output Distortion			3.0	5.0	%
3rd Harmonic Distortion			2.0	3.0	%
Logic '1' Carrier Frequency					
1200bps	6		1200		Hz
2400bps	6		1200		Hz
4800bps	6		2400		Hz
Logic '0' Carrier Frequency					
1200bps	6		1800		Hz
2400bps	6		2400		Hz
4800bps	6		4800		Hz
Isochronous Distortion					
1200Hz - 1800Hz/1200Hz - 2400Hz			25.0	40.0	μs
1800Hz - 1200Hz/2400Hz - 1200Hz			20.0	40.0	μs
2400Hz - 4800Hz/4800Hz - 2400Hz			10.0	20.0	μs

**Operating Characteristics Notes:**

1. With reference to  $V_{DD} = 5.0$  volts.
2. Xtal frequency (ref. Clock Rate pin), type and tolerance depends upon system requirements.
3. See Figure 4 (variation of BER with Input Signal Level).
4. SNR = Signal-to-Noise in the Bit-Rate Bandwidth.
5. See Figure 2.
6. Dependent upon Xtal tolerance.
7. 10101010101 ...01 pattern.
8. Measured with a 150mV<sub>RMS</sub> input signal (no noise).
9. Reference (0dB) level for C.D. probability measurements is 230mV<sub>RMS</sub>.
10. For 1200bps and 2400bps operation only: when operating at 4800bps the carrier detect output should be ignored.

MX469P package discontinued

6.1.4 Packages

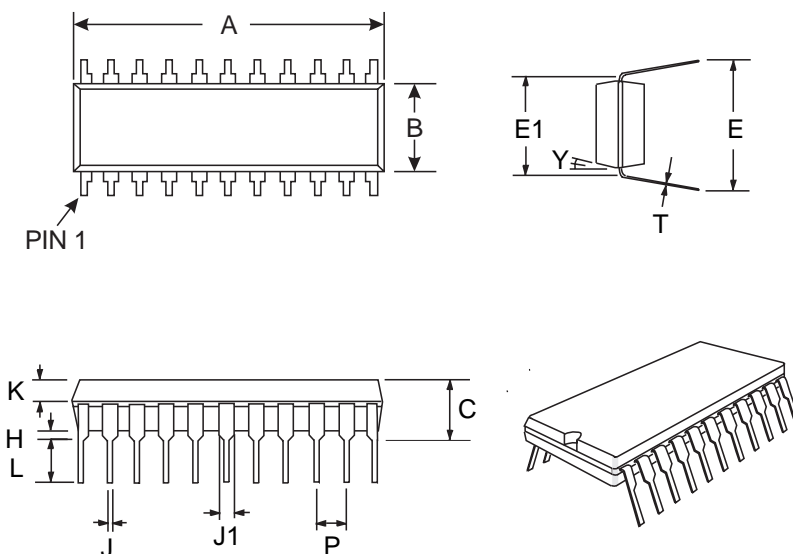


Package Tolerances

DIM.	MIN.	TYP.	MAX.
A	0.597 (15.16)		0.613 (15.57)
B	0.288 (7.28)		0.299 (7.59)
C	0.093 (2.36)		0.105 (2.67)
E	0.390 (9.90)		0.419 (10.64)
H	0.003 (0.08)		0.020 (0.51)
J	0.013 (0.33)		0.020 (0.51)
K	0.036 (0.91)		0.046 (1.17)
L	0.016 (0.41)		0.050 (1.27)
P		0.050 (1.27)	
T	0.009 (0.23)		0.0125 (0.32)
W		45°	
X	0°		10°
Y	5°		7°
Z		5°	

NOTE : All dimensions in inches (mm.)  
Angles are in degrees

Figure 13: 24-pin SOIC Mechanical Outline: Order as part no. MX469DW



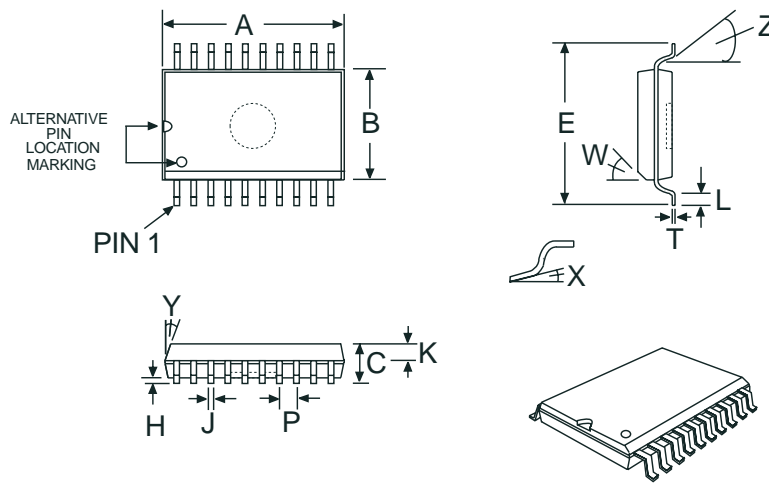
Package Tolerances

DIM.	MIN.	TYP.	MAX.
A	1.080 (27.43)		1.100 (27.94)
B	0.330 (8.38)		0.360 (9.14)
C		0.185 (4.70)	
E	0.420 (10.67)		0.480 (12.19)
E1	0.390 (9.91)		0.420 (10.67)
H	0.020 (0.51)		0.045 (1.14)
J	0.015 (0.38)		0.020 (0.51)
J1	0.040 (1.02)		0.065 (1.65)
K		0.066 (1.68)	
L		0.128 (3.25)	
P		0.100 (2.54)	
T		0.010 (0.25)	
Y		7°	

NOTE : All dimensions in inches (mm.)  
Angles are in degrees

Figure 14: 22-pin PDIP Mechanical Outline: Order as part no. MX469P

MX469P package discontinued



Package Tolerances

DIM.	MIN.	TYP.	MAX.
A	0.495 (12.57)		0.510 (12.95)
B	0.286 (7.26)		0.299 (7.59)
C	0.093 (2.36)		0.105 (2.67)
E	0.390 (9.90)		0.419 (10.64)
H	0.003 (0.08)		0.020 (0.51)
J	0.013 (0.33)		0.020 (0.51)
K	0.036 (0.91)		0.046 (1.17)
L	0.016 (0.41)		0.050 (1.27)
P		0.050 (1.27)	
T	0.009 (0.23)		0.0125 (0.32)
W		45°	
X	0°		10°
Y	5°		7°
Z		5°	

NOTE : All dimensions in inches (mm.)  
Angles are in degrees

Figure 15: 20-pin SOIC Mechanical Outline: *Order as part no. MX469D3*

MX469P package discontinued



**CML Microcircuits**

COMMUNICATION SEMICONDUCTORS

## CML Product Data

In the process of creating a more global image, the three standard product semiconductor companies of CML Microsystems Plc (*Consumer Microcircuits Limited (UK)*, *MX-COM, Inc (USA)* and *CML Microcircuits (Singapore) Pte Ltd*) have undergone name changes and, whilst maintaining their separate new names (*CML Microcircuits (UK) Ltd*, *CML Microcircuits (USA) Inc* and *CML Microcircuits (Singapore) Pte Ltd*), now operate under the single title **CML Microcircuits**.

These companies are all 100% owned operating companies of the CML Microsystems Plc Group and these changes are purely changes of name and do not change any underlying legal entities and hence will have no effect on any agreements or contacts currently in force.

### CML Microcircuits Product Prefix Codes

Until the latter part of 1996, the differentiator between products manufactured and sold from MXCOM, Inc. and Consumer Microcircuits Limited were denoted by the prefixes MX and FX respectively. These products use the same silicon etc. and today still carry the same prefixes. In the latter part of 1996, both companies adopted the common prefix: CMX.

This notification is relevant product information to which it is attached.

### CML Microcircuits (USA) [formerly MX-COM, Inc.] Product Textual Marking

On CML Microcircuits (USA) products, the 'MX-COM' textual logo is being replaced by a 'CML' textual logo.

Company contact information is as below:



**CML Microcircuits  
(UK) Ltd**

COMMUNICATION SEMICONDUCTORS

Oval Park, Langford, Maldon,  
Essex, CM9 6WG, England  
Tel: +44 (0)1621 875500  
Fax: +44 (0)1621 875600  
uk.sales@cmlmicro.com  
www.cmlmicro.com



**CML Microcircuits  
(USA) Inc.**

COMMUNICATION SEMICONDUCTORS

4800 Bethania Station Road,  
Winston-Salem, NC 27105, USA  
Tel: +1 336 744 5050,  
0800 638 5577  
Fax: +1 336 744 5054  
us.sales@cmlmicro.com  
www.cmlmicro.com



**CML Microcircuits  
(Singapore) Pte Ltd**

COMMUNICATION SEMICONDUCTORS

No 2 Kallang Pudding Road, 09-05/  
06 Mactech Industrial Building,  
Singapore 349307  
Tel: +65 7450426  
Fax: +65 7452917  
sg.sales@cmlmicro.com  
www.cmlmicro.com