

DSL SPRING RETURN LOCK SWITCHES

GENERAL ELECTRICAL & MECHANICAL SPECIFICATION

Switch Rating:	5A/115VAC 3A/30VDC
Life:	>10,000 Cycles
Operating Temperature:	-25°C to +85 °C
Proof Voltage:	1kV min. (Initial)
Contact Resistance:	<20 MΩ (Initial)
Flame Retardency:	UL94 V0
Lock Housing:	Brass - Chrome or Nickel Plated
Keys:	Nickel Silver

RoHS COMPLIANT



Switch Module approved to UL/CSA

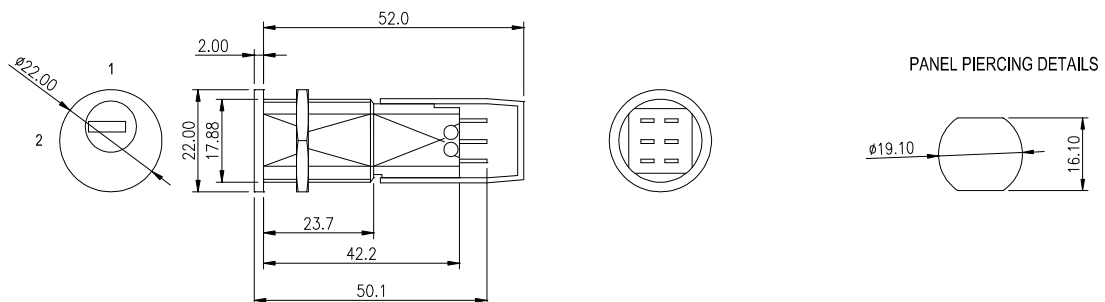
CIRCUITRY	TERMINAL LAYOUT VIEWED FROM REAR OF SWITCH	KEY WITHDRAWAL POSITIONS
2 POLE C/O		

GENERAL FEATURES

- Over 15000 key combinations – keys to differ
- Key –operated Lock with dimpled 6 pin lock
- Lock and switch mounted from front of panel
- Common keys available – keys to pass
- Solder terminals
- Two keys per lock. Additional keys to order.
- Supplied with removable plastic shroud over switch terminals

DSL-6 ORDER CODES			
SWITCH	KEY	POSITION IN WHICH KEY FREE	ORDER CODES
2 POLE C/O	DIFFERS	POSITION 2	DSL-6-S-D
2 POLE C/O	SAME	POSITION 2	DSL-6-S-S

LOCK TYPE: BRASS Lock 6 pin – low profile or with decorative panel ring.
LOCK MOVEMENT: 90° Step
LOCK COMBINATIONS: Over 15000 differ or all pass (same key for all locks).
KEY TYPE: Flat, double entry (key can be inserted into the lock either way up).
MASTER KEY SYSTEM AVAILABLE: No
MAXIMUM PANEL THICKNESS: 15mm.
ASSEMBLY WEIGHT: 90 grams



DSL LOCKSWITCH WITH MICRO-SWITCH