

MSL MAINS LOCK SWITCHES

GENERAL ELECTRICAL & MECHANICAL SPECIFICATION

Switch Rating:	4/80A @ 250Vac R/C
Life:	>15,000 Cycles
Operating Temperature:	-25°C to +85 °C
Proof Voltage:	3kV min. (Initial)
Insulation Resistance:	>999 MΩ at 500Vdc (Initial)
Contact Resistance:	<20 mΩ (Initial)
Switch contacts:	Silver Cadmium Oxide
Switch Chamber:	Polyamide 6.6 G.F. V0 Rated
Tag Panel:	SRBP
Terminals:	Brass CZ108 Ag Plated
Lock Housing:	Zinc Alloy Bright Cr Plated
Keys:	Mild Steel Ni Plated

RoHS COMPLIANT



SWITCH MODULE IS ENEC APPROVED TO EN61058 BY VDE.

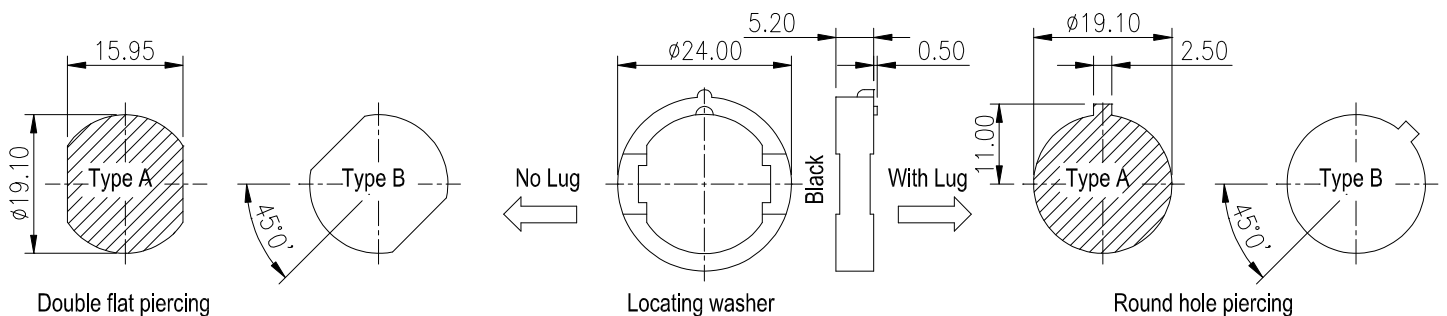
Note: CHANGEOVER TYPE HAS NO APPROVALS.

CIRCUITRY	TERMINAL LAYOUT VIEWED FROM REAR OF SWITCH	KEY WITHDRAWAL POSITIONS
2 POLE OFF-ON		
2 POLE 1 OFF 1 ON		
2 POLE ON-OFF (NORMALLY CLOSED)		
2 POLE CHANGEOVER (No approvals)		
NOTE: By externally linking the two pole terminals a 1 pole c/o is made		

GENERAL FEATURES

- Made in UK.
- Two part construction. The lock is inserted into the panel from the front. The mains switch module either bracketed or snap-on, from the rear of the panel.
- Standard solder terminals (Printed circuit terminals optional – add /P to part number).
- Two keys per lock. Additional keys to order.
- Keys to pass (same key all locks) or differ (different key per lock).

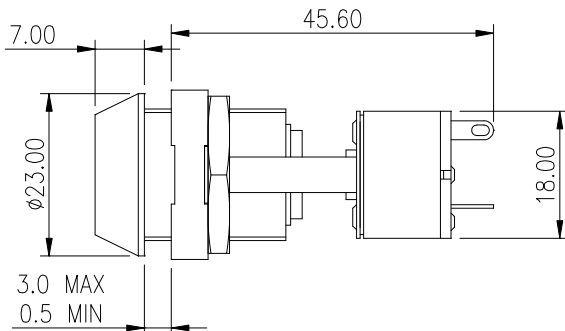
MOUNTING DETAILS FOR BRACKETED MSL, MIS LOCKSWITCHES



MSL MAINS LOCK SWITCHES

MSL

LOCKSWITCH WITH BRACKETED MS MODULE

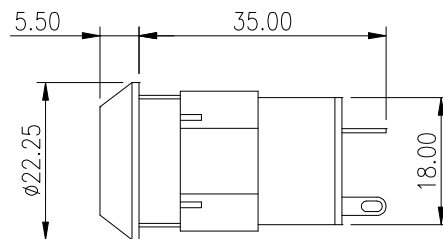


STANDARD MSL SWITCHES & PART NUMBERS				
2 POLE OFF-ON	2 POLE 1-OFF 1-ON	2 POLE CHANGEOVER	KEY NUMBERS	POSITION IN WHICH KEY FREE
MSL 8601B	MSL 8603B	MSL 8605B	Differs	0° and 90° (1+4)
MSL 8602B	MSL 8604B	MSL 8606B	Same	0° and 90° (1+4)
MSL 8609A	MSL 8611A	MSL 8613A	Differs	0° only (1)
MSL 8610A	MSL 8612A	MSL 8614A	Same	0° only (1)

LOCK TYPE: 8 Disc with built-in anti-pick system.
LOCK MOVEMENT: 90° Steps.
LOCK COMBINATIONS: 2000 differs or all to pass (same key for all locks).
KEY TYPE: Flat, double entry (key can be inserted into the lock either way up).
MASTER KEY SYSTEM AVAILABLE: Yes.
MAXIMUM PANEL THICKNESS: 3mm.
MODULE TYPE: Bracketed (the switch module is fitted to a “U” shaped bracket).

MSL5

LOCKSWITCH WITH SNAP-ON MS MODULE

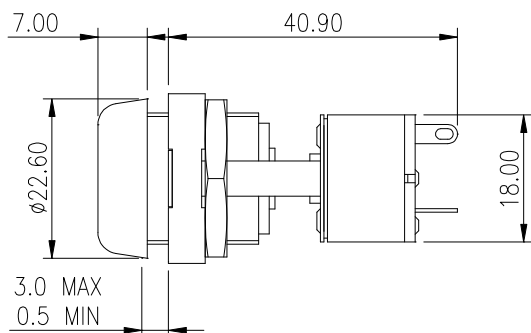


STANDARD MSL5 SWITCHES & PART NUMBERS				
2 POLE OFF-ON	2 POLE 1-OFF 1-ON	2 POLE CHANGEOVER	KEY NUMBERS	POSITION IN WHICH KEY FREE
MSL 8621	MSL 8625	MSL 8629	Differs	0° and 90° (1+4)
MSL 8622	MSL 8626	MSL 8630	Same	0° and 90° (1+4)
MSL 8623	MSL 8627	MSL 8631	Differs	0° only (1)
MSL 8624	MSL 8628	MSL 8632	Same	0° only (1)

LOCK TYPE: 5 Disc.
LOCK MOVEMENT: 90° Steps.
LOCK COMBINATIONS: 200 differs or all to pass (same key for all locks).
KEY TYPE: Flat, double entry (key can be inserted into the lock either way up).
MASTER KEY SYSTEM AVAILABLE: Yes.
MAXIMUM PANEL THICKNESS: 3.4mm.
MODULE TYPE: Snap-on

MIS(Impulsion)

LOCKSWITCH WITH BRACKETED MS MODULE



STANDARD MIS SWITCHES & PART NUMBERS				
2 POLE OFF-ON	2 POLE 1-OFF 1-ON	2 POLE CHANGEOVER	KEY NUMBERS	POSITION IN WHICH KEY FREE
MIS 8659	MIS 8661	MIS 8663	Differs	0° only (1)
MIS 8660	MIS 8662	MIS 8664	Same	0° only (1)

LOCK TYPE: 3 Disc impulsion lock (spring back to position 1)
LOCK MOVEMENT: 90° Steps.
LOCK COMBINATIONS: 2000 differs or all to pass (same key for all locks).
KEY TYPE: Flat, double entry (key can be inserted into the lock either way up).
MASTER KEY SYSTEM AVAILABLE: Yes.
MAXIMUM PANEL THICKNESS: 3mm.
MODULE TYPE: Non-Approved - Bracketed (the switch module is fitted to a “U” shaped bracket).