

WRLM MAINS LOCK SWITCHES

GENERAL ELECTRICAL & MECHANICAL SPECIFICATION

Switch Rating:	4/80A @250V ac. R/C
Life:	>15,000 Cycles
Operating Temperature:	-25°C to +85 °C
Proof Voltage:	3kV min. (Initial)
Insulation Resistance:	>999 MΩ at 500Vdc (Initial)
Contact Resistance:	<20 MΩ (Initial)
Flame Retardency:	UL94 V0
Switch contacts:	Silver Cadmium Oxide
Switch Chamber:	Polyamide 6.6 GF V0 Rated
Tag Panel:	SRBP
Terminals:	Brass CZ108 Ag Plated
Lock Housing:	Zinc Alloy Bright Chrome Plated
Keys per lock:	2 off - Brass Ni Plated

RoHS COMPLIANT



Switch Module ENEC approved to EN61058 by DEMKO
ASSEMBLY IP66 / IP67 RATED

CIRCUITRY	TERMINAL LAYOUT VIEWED FROM REAR OF SWITCH	KEY WITHDRAWAL POSITIONS
2 POLE OFF-ON		
2 POLE ON-OFF (NORMALLY CLOSED)		

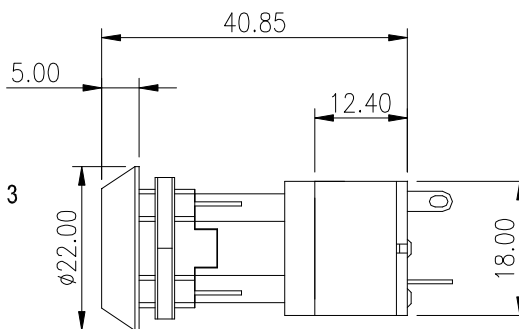
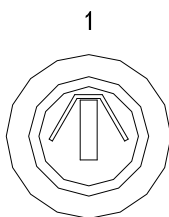
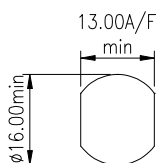
GENERAL FEATURES

- Made in UK.
- Miniature key –operated Lock
- Up to 200 key combinations - keys to differ
- Common keys available – keys to pass
- Two part construction. The lock is inserted into the panel from the front. The mains switch module snaps-on, from the rear of the panel.
- Standard solder terminals (Printed circuit terminals optional – add /P to part number).
- For continued exterior use lubricate lock regularly
- Snap on switch module
- M16 earth tag available as an optional extra

WRLM ORDER CODES			
SWITCH	KEY	POSITION IN WHICH KEY FREE	Tapered lock Head Order-codes
2 POLE OFF – ON	DIFFERS DIFFERS	0° and 90° (1+4) 0° only (1)	WRLM -5-Q-D WRLM -5-S-D
2 POLE OFF –ON	SAME SAME	0° and 90° (1+4) 0° only (1)	WRLM -5-Q-S WRLM -5-S-S
2 POLE ON-OFF	DIFFERS DIFFERS	0° and 90° (1+4) 0° only (1)	WRLM -5-R-D WRLM -5-T-D
2 POLE ON-OFF	SAME SAME	0° and 90° (1+4) 0° only (1)	WRLM -5-R-S WRLM-5-T-S

LOCK TYPE: 5 Disc.
LOCK MOVEMENT: 90°
LOCK COMBINATIONS: 200 differs or all to pass (same key for all locks).
KEY TYPE: Flat, double entry (key can be inserted into the lock either way up).
MASTER KEY SYSTEM AVAILABLE: No
MAXIMUM PANEL THICKNESS: 4.5mm.
NUMBER OF KEYS: 2

PANEL PIERCING DETAILS



TAPERED LOCK HEAD