

REV	ECN. NO.	APP	DATE
A	EDIÇÃO INICIAL		

TECHNICAL INFORMATION:

Voltage: 12V

No load current: Less than 1.5A

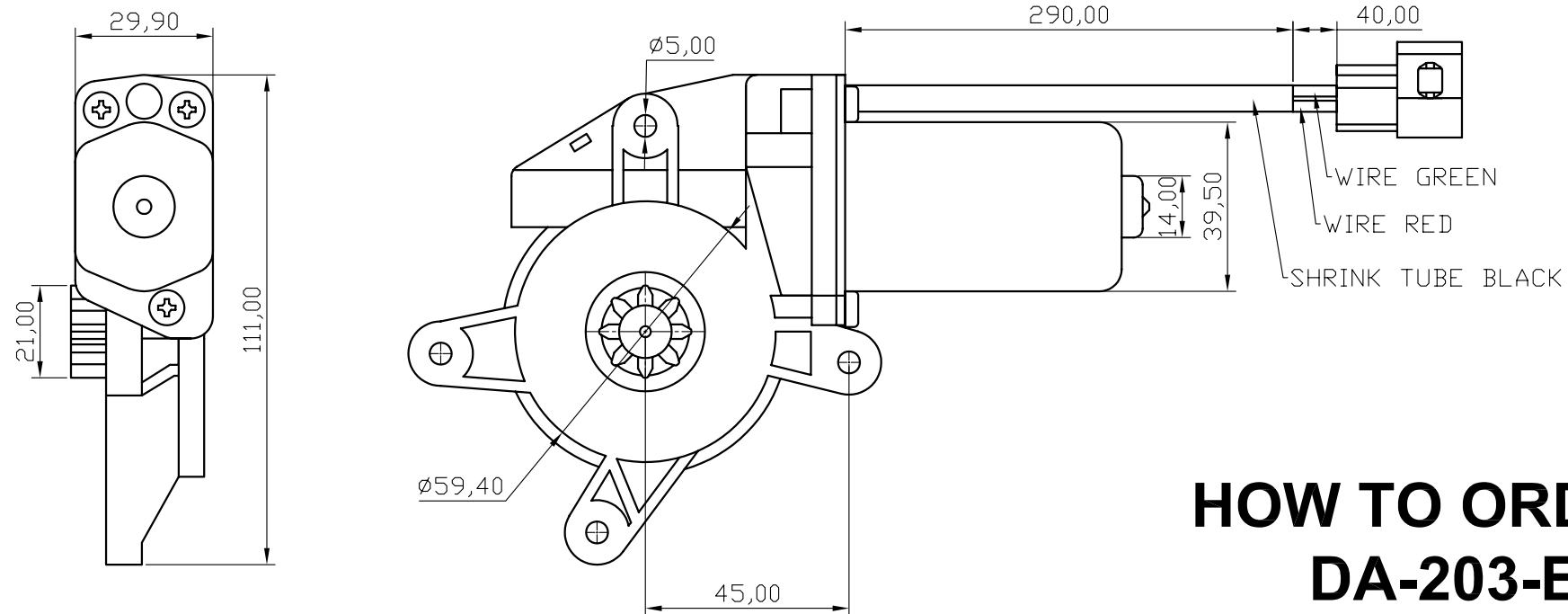
No load speed: More than 90rpm

Current with 3NM: Less than 8A


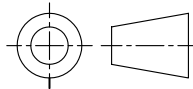
Speed with 3NM: More than 65rpm

Max torque: More than 8.5NM

Max current: Less than 22A



HOW TO ORDER: DA-203-E

 MATRIX		MATRIX Tecnologia Ind. e Com. Ltda.	
UNIT mm	SCALE 1:1	TITLE DA-203-E LEFT	DATE AUGUST 2007
TOLERANCE			APP. BY
		MATL	CHK. BY
		DWG. NO.	DR. BY DINO