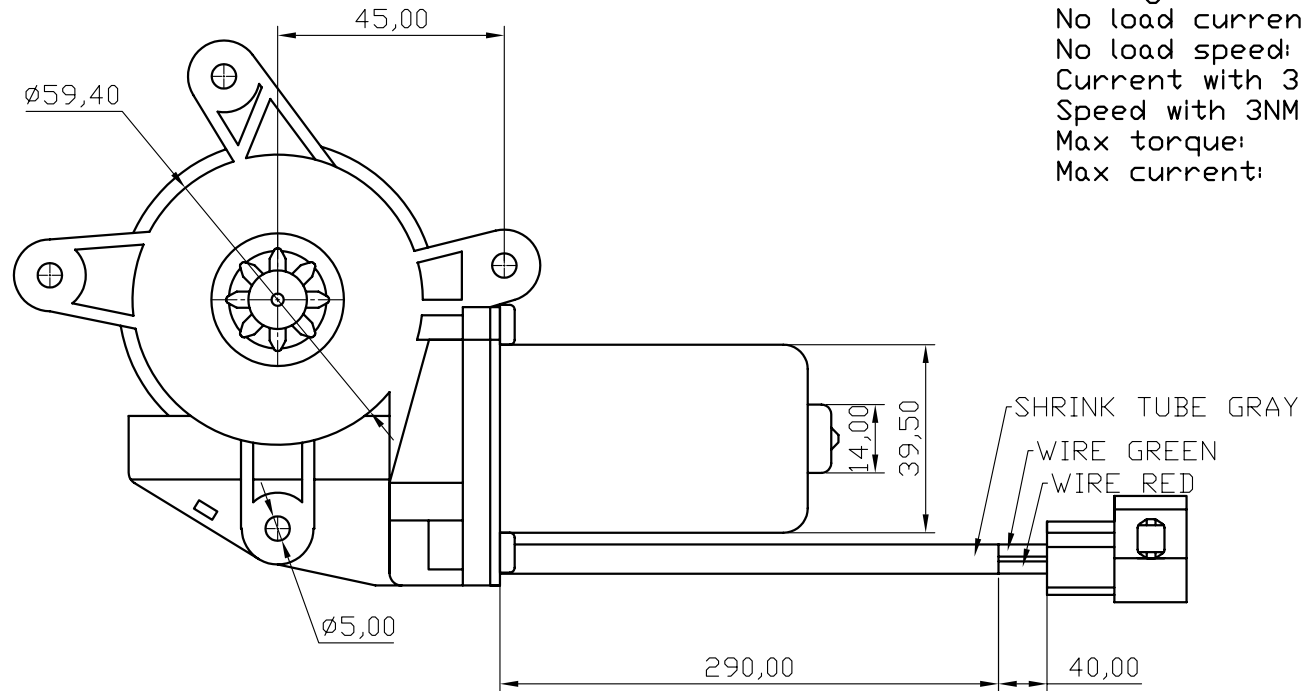
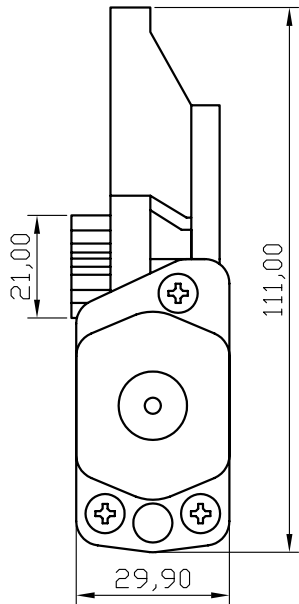


REV	ECN. NO.	APP	DATE
A	EDIÇÃO INICIAL		

**TECHNICAL INFORMATION:**

Voltage: 12V  
 No load current: Less than 1.5A  
 No load speed: More than 90rpm  
 Current with 3NM: Less than 8A  
 Speed with 3NM: More than 65rpm  
 Max torque: More than 8.5NM  
 Max current: Less than 22A



## HOW TO ORDER: DA-203-D

		<b>MATRIX Tecnologia Ind. e Com. Ltda.</b>	
UNIT mm	SCALE	TITLE DA-203-D RIGHT	DATE AUGUST 2007
TOLERANCE			APP. BY
		MATL	CHK. BY
		DWG. NO.	DR. BY DINO