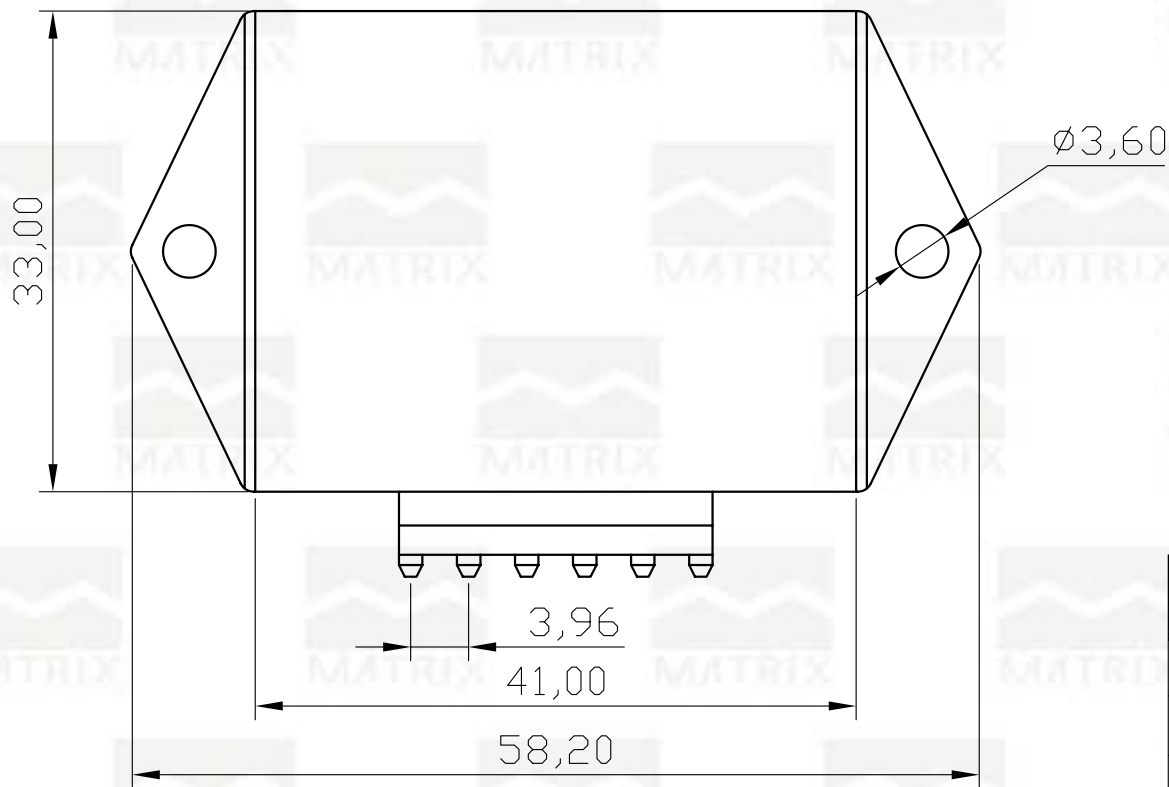
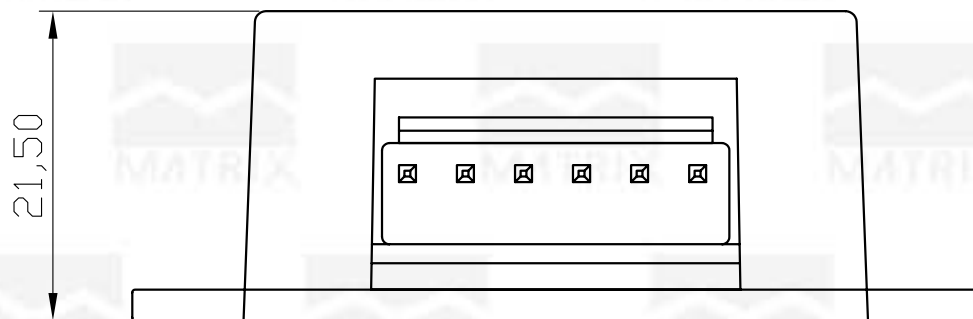


REV	ECN. NO.	APP	DATE
A	EDIÇÃO INICIAL		



HOW TO ORDER: DA-CM



MATRIX Tecnologia Ind. e Com. Ltda.

UNIT mm

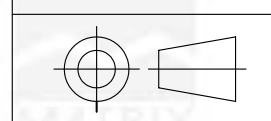
SCALE 2:1

TITLE CENTRALINA

DATE AUGUST 2007

TOLERANCE: ± 0.25

APP. BY



MATL
DWG. NO.

CHK. BY
DR. BY DINO