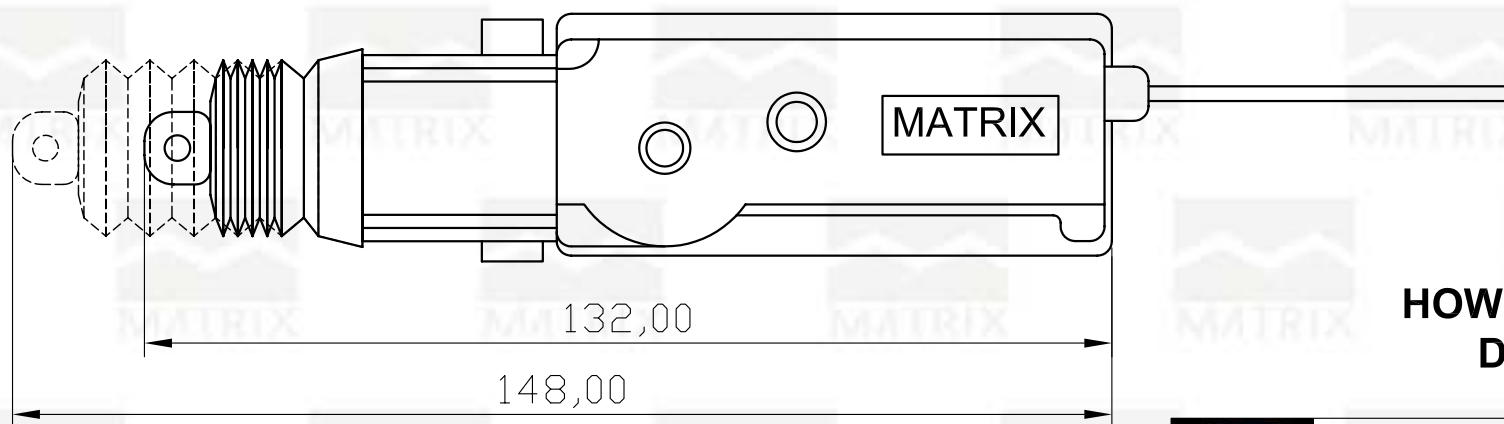
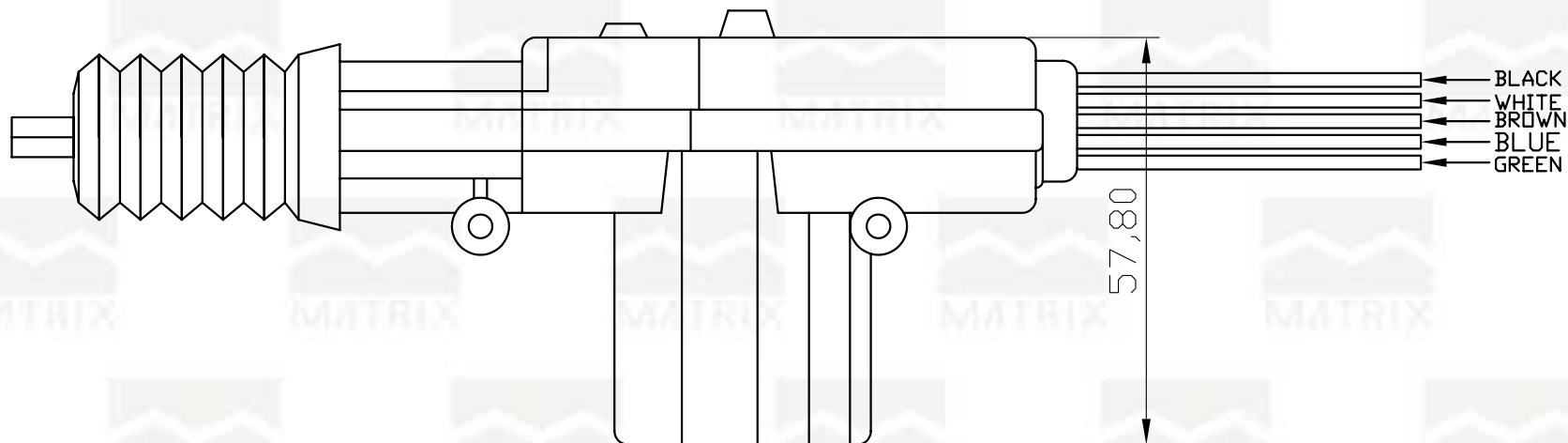

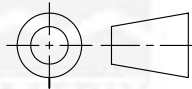


REV	ECN. NO.	APP	DATE
A	EDIÇÃO INICIAL		



**HOW TO ORDER:
DA-MM5F**

 MATRIX Tecnologia Ind. e Com. Ltda.			
UNIT	mm	SCALE	1:1
TOLERANCE		TITLE	DATE
			DA-MM5F
MATL		APP. BY	CHK. BY
DWG. NO.		DR. BY	DINO