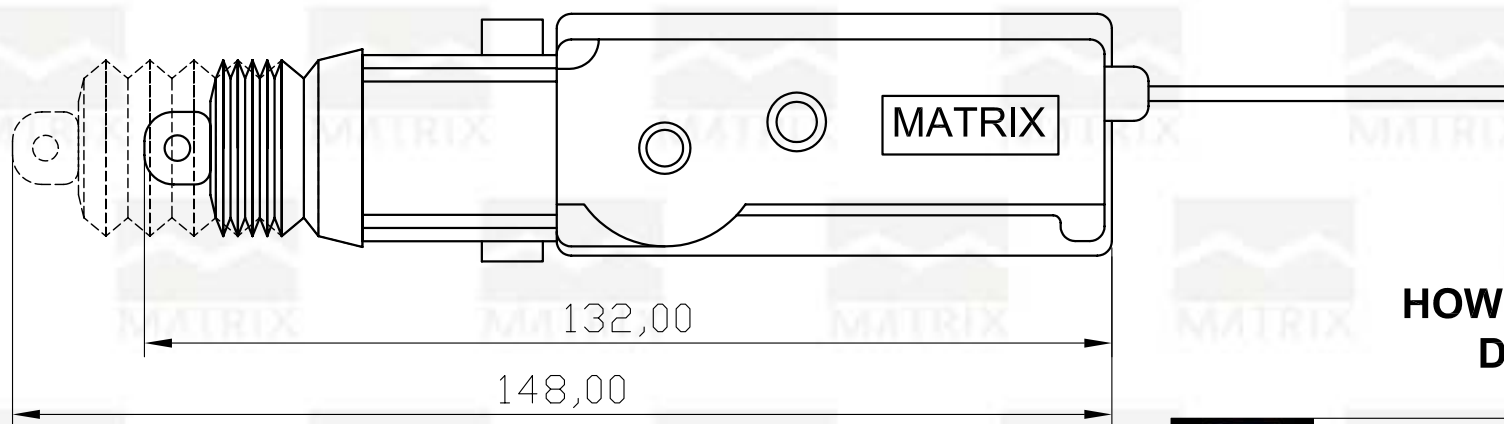
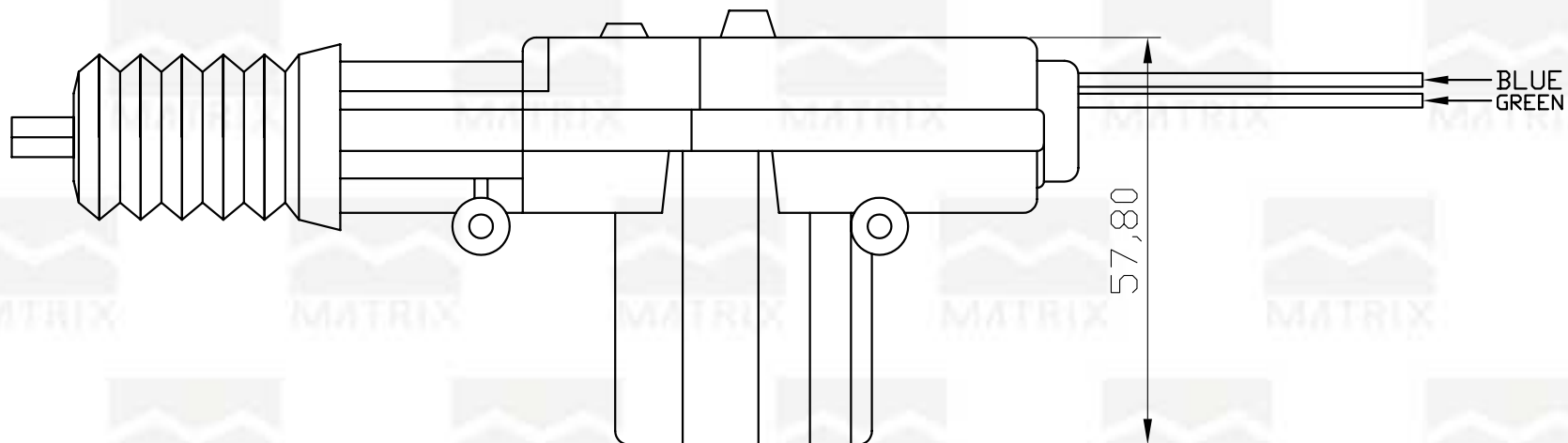


REV	ECN. NO.	APP	DATE
A	EDIÇÃO INICIAL		



**HOW TO ORDER:
DA-MM2F**



MATRIX Tecnologia Ind. e Com. Ltda.

UNIT mm

SCALE 1:1

TITLE

DATE AUGUST 2007

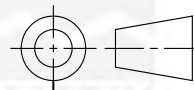
DA-MM2F

APP. BY

TOLERANCE

MATL

CHK. BY



DWG. NO.

DR. BY DINO