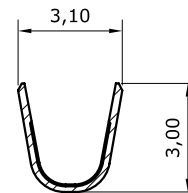
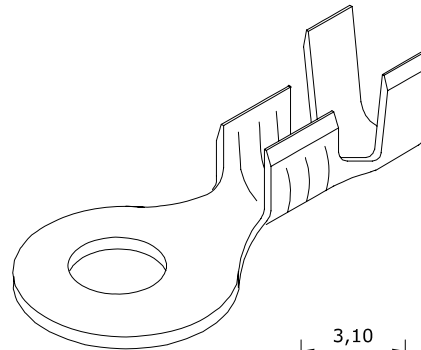
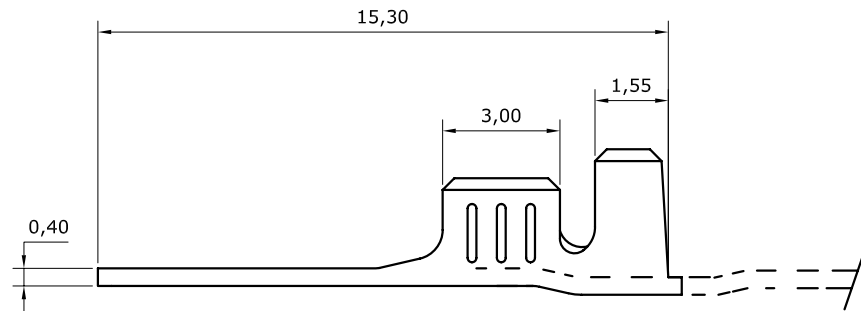
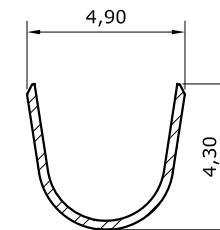


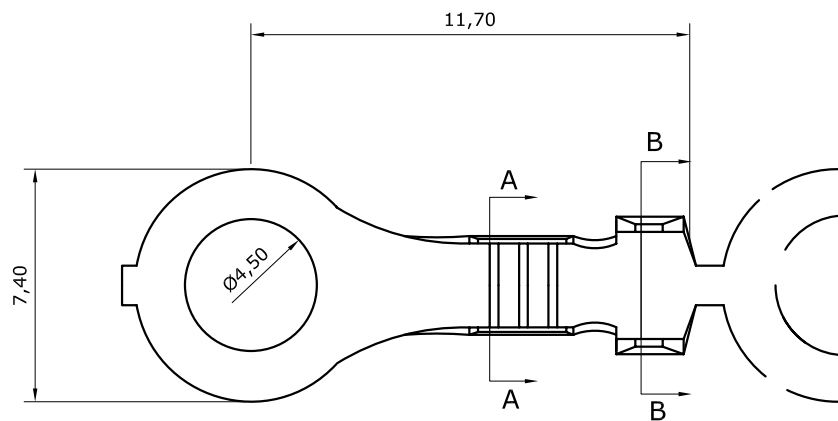
REV/	ECN. NO.	APP	DATE
A	EDIÇÃO INICIAL		



Section A-A



Section B-B



HOW TO ORDER: 3173TO[00][01][02][R] 1 2 3 4

- | | |
|--------------------------------|---------------------|
| 1- Acabamento: | 3- Fornecimento: |
| (00)-Sem Banho | (01)-Granel |
| (01)-Com Banho Estanhado Fosco | (02)-Fita |
| (03)-Niquelado | 4-(R)RoHS Compliant |
| 2- Material: | |
| (01)-Latão | |
| (02)-Bronze Fosforoso | |



MATRIX TECNOLOGIA IND. E COM. LTDA.

UNIT mm	SCALE	TITLE terminal straight gauge 0.5 - 1.0mm ²	DATE March 2009
TOLERANCE: ±0.25			APP. BY
		MATL	CHK. BY
		DWG. NO.	DR. BY Miller