

REV	ECN. NO.	APP	DATE
A	EDIÇÃO INICIAL		
B	NOVO CÓDIGO		

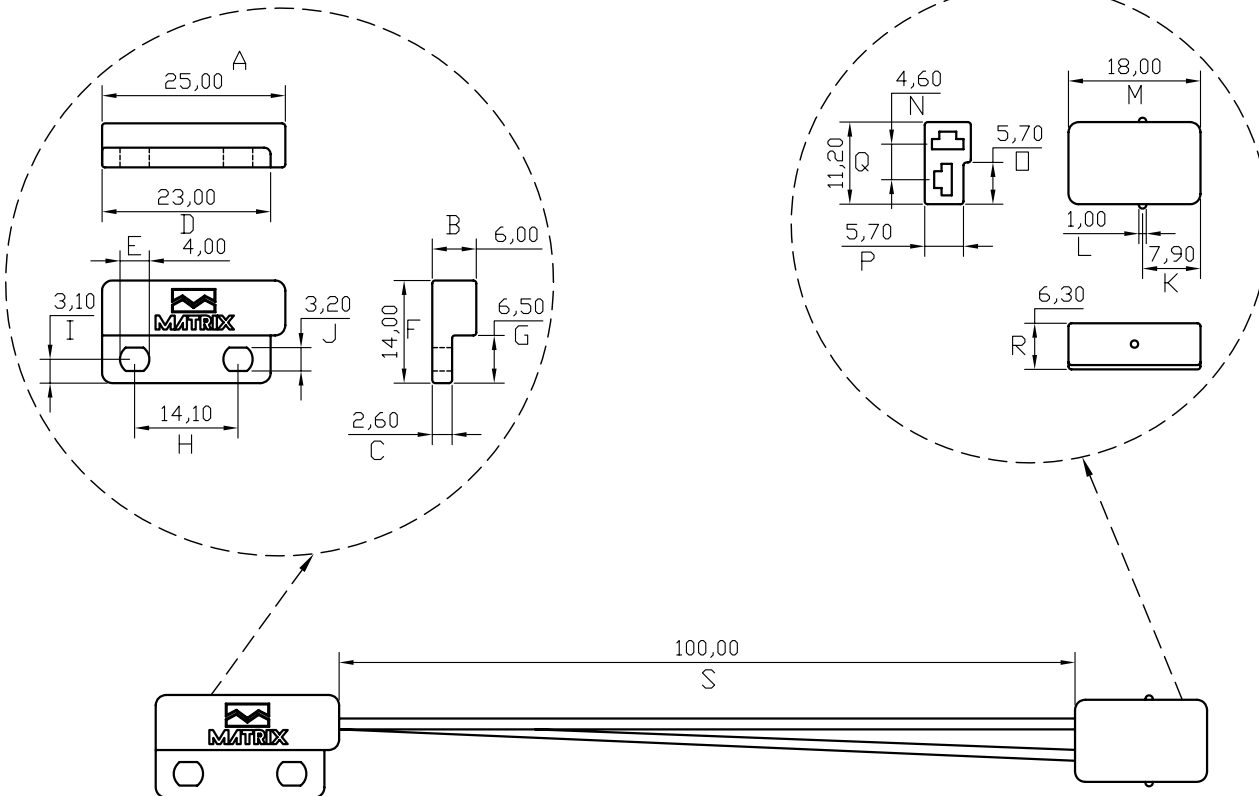
Switch:

P/N Matrix: MX-MS-RI01S
 Reed Switch P/N: RI-01CA
 Manufacturer: Coto
 Material: PA66- 20 to 30% Fibre Glass
 Wire: 0,3mm
 70°C
 300V

Housing for Terminal Faston
 Material: Natural Polyester
 Terminal: Faston 2,8mm Female
 Material: Brass


Specifications:

Maximum power Comutation: 10Watts
 Resistance: 500mA
 Switch Current (max): 500mA
 Switch Voltage (max): 200VCC
 Operate Time (max.): 0,6ms
 Life Expectancy: 10⁸ cycles
 Sensor with Magnetic performance
 Composition for: Magtetic and Reed Switch



**HOW TO ORDER:
MSRI01SR**

Magtetic:
 P/N Matrix: MX-MS-01SMR
 Magtetic: P/N- M002/05
 Magtetic: Barium Ferrite
 Magnetization Bipolar Axial Longitudinal
 Material: PA66- 20 to 30% Fibre Glass

 MATRIX TECNOLOGIA IND. E COM. LTDA.			
UNIT	mm	SCALE	TITLE
TOLERANCE: ±0.25			Magnetic Sensors and Systems
			DATE MARCH 2010
			APP. BY
			CHK. BY
			DR. BY FELIPE
			DWG. NO.