

REV	ECN. NO.	APP	DATE
A	EDIÇÃO INICIAL		
B	<b>NOVO CÓDIGO</b>		
C	CÓD ANT.: HF XX PR		21/11/11

## SPECIFICATIONS

Current Rating: 5A AC,DC  
Voltage Rating: 250V AC,DC  
Temperature Range: -25°C to +85°C  
Contact Resistance: 1000MΩ Min  
Withstanding Voltage: 1500V AC/Minute  
Material: Nylon 66, UL94V-2

## HOW TO ORDER:

3000 [H] [ ] [F] [ ] [R]  
1 2 3 4 5

**Series Nr.**  
3000

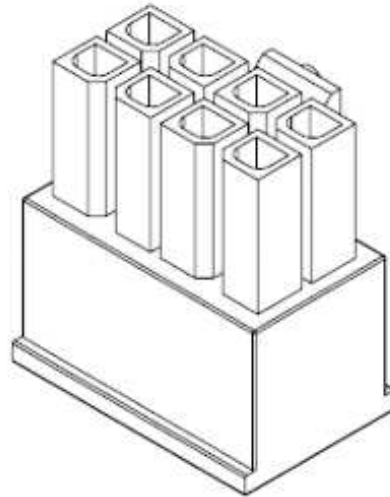
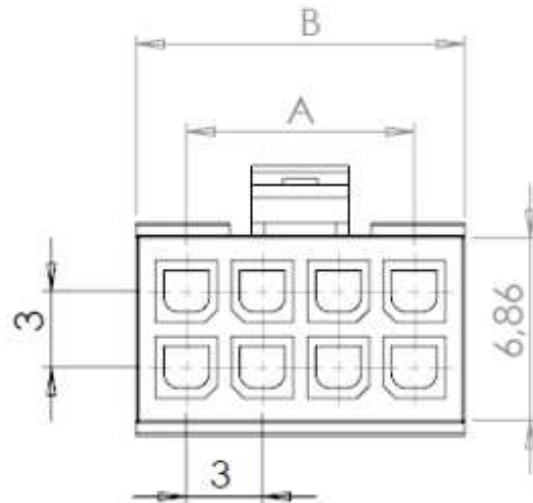
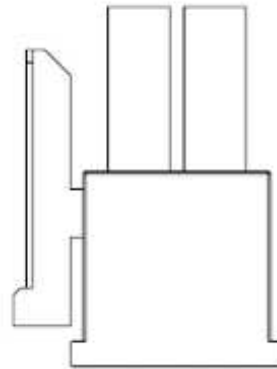
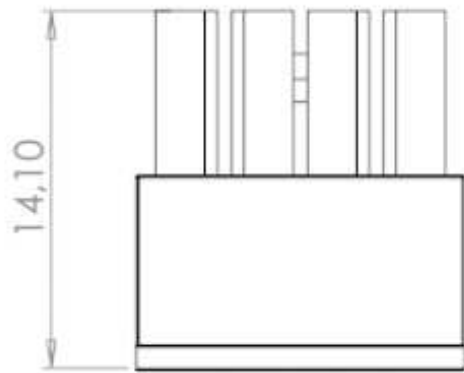
**2 - Row Version:**  
(S) - Single Row  
(D) - Double Row

**4 - Nr. of ways:**  
Single Row: 02 to 12  
Double Row: 02 to 24

**1 - Product:**  
(H) - Housing

**3 - Type:**  
(M) - Male  
(F) - Female

**5 - (R) RoHS Compliant**



Circuits	A	B	Circuits	A	B	Circuits	A	B
2		4,00	10	12,00	16,00	18	24,00	28,00
4	3,00	7,00	12	15,00	19,00	20	27,00	31,00
6	6,00	10,00	14	18,00	22,00	22	30,00	34,00
8	9,00	13,00	16	21,00	25,00	24	33,00	37,00

		<b>MATRIX Tecnologia Ind. e Com. Ltda.</b>	
UNIT mm	SCALE	TITLE 3,00mm Housing Female	DATE November 2009
TOLERANCE: ±0.25			APP. BY
		MATL	CHK. BY
		DWG. NO.	DR. BY <b>Felipe</b>