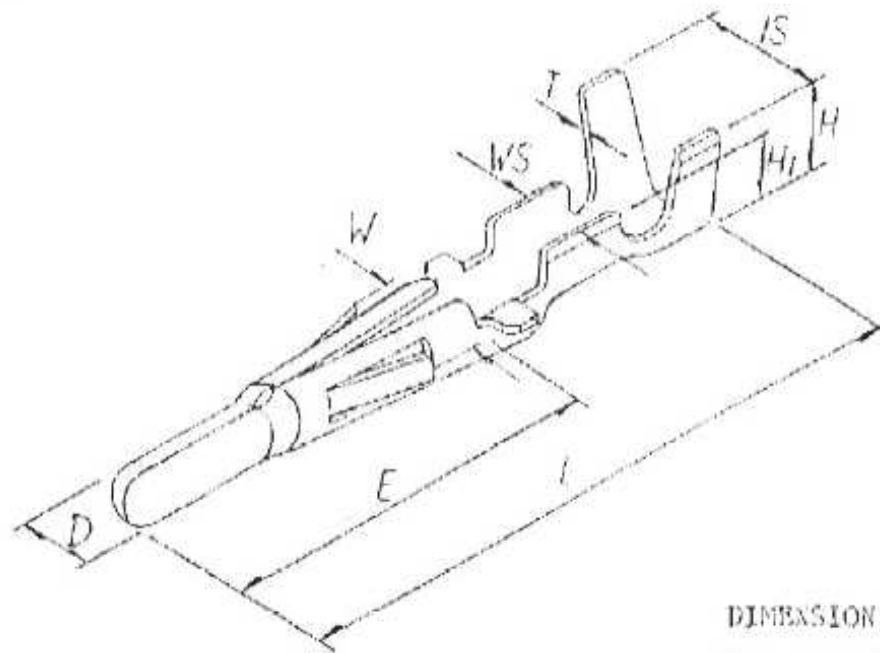


REV	ECN. NO.	APP	DATE
A	EDIÇÃO INICIAL		
B	NOVO CÓDIGO		



DIMENSION: (MM)

T: 0,2±0,03

L: 18,1±0,3

E: 11,5±0,2

IS: 4,4±0,35

WS: 2,7±0,3

H: 4,2±0,25

H1: 2,6±0,25


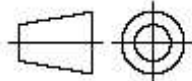
D: 1,3±0,05

W: 3,4±0,25

## HOW TO ORDER: 1030TM[ ][ ]R

**1 2**

- 1- Terminal Plating  
 ( )-Tin  
 (D)-Gold Flash  
 (C)-Selective Gold  
 2- Wire Option  
 (B)-16~18AWG  
 (G)-20~24AWGt

 <b>MATRIX TECNOLOGIA IND. E COM. LTDA.</b>			
UNIT mm	SCALE	TITLE	DATE MARCH 2010
TOLERANCE: ±0.25		4,5mm TERMINAL MALE	APP. BY
		MATL	CHK. BY
		DWG. NO.	DR. BY FELIPE