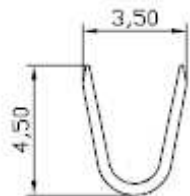
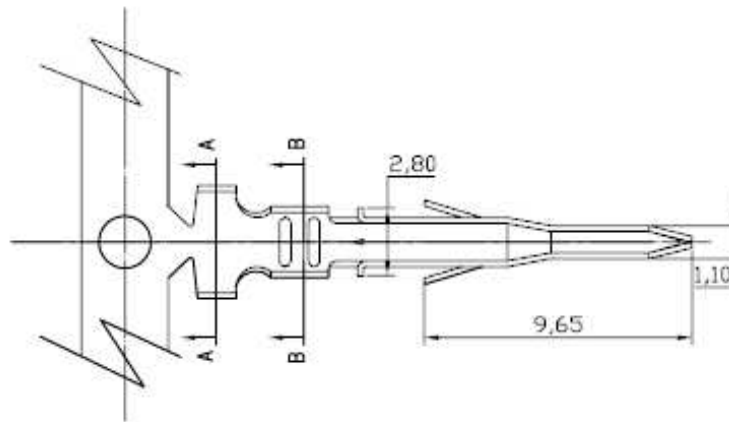
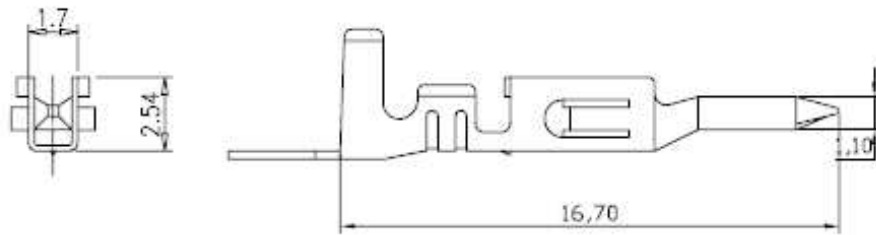
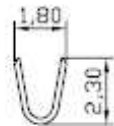


REV	ECN. NO.	APP	DATE
A	EDIÇÃO INICIAL		
B	NOVO CÓDIGO		
C	CÓD. ANT. :4200TMPxR		23/11/11



A-A SECTION



B-B SECTION

HOW TO ORDER:

4200 [T] [M] [E] [] [R]
 1 2 3 4 5

Series Nr.
4200


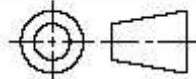
1 - Product:
(T) - Terminal Brass

2 - Type:
(M) - Male
(F) - Female

3 - Terminal Plating:
(E) - Tin

4 - Wire Range:
(W) - 14 ~22 AWG
(O) - 16 ~18 AWG
(P) - 18 ~22 AWG
(E) - 18 ~24 AWG
(H) 22 ~24 AWG

5 - (R) RoHS Compliant

 MATRIX Tecnologia Ind. e Com. Ltda.		UNIT	SCALE	TITLE	DATE
		mm		4,2mm TERMINAL MALE	MARCH 2010
		TOLERANCE: ±0.25			APP. BY
				MATL	CHK. BY
		DWG. NO.			DR. BY Felipe