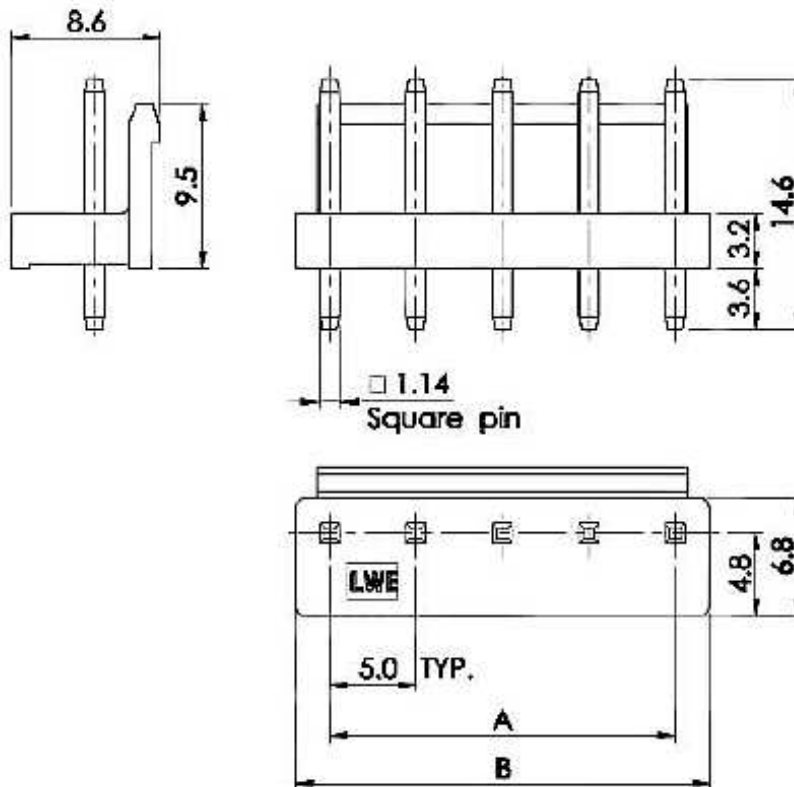


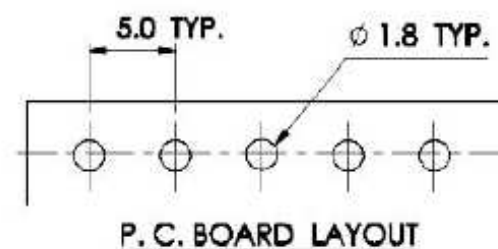
REV	ECN. NO.	APP	DATE
A	EDIÇÃO INICIAL		
B	NOVO CÓDIGO		



SPECIFICATIONS

- Current Rating : 7A AC,DC (AWG 18)
- Voltage Rating : 250V AC,DC
- Withstand Voltage : 1500V AC/Minute
- Contact Resistance : 10 mΩ Max.
- Insulation Resistance : 1000 MΩ Min.
- Temperature Range : -25°C to +85°C

Circuits	Dimension	
	A	B
2	5.0	10.0
3	10.0	15.0
4	15.0	20.0
5	20.0	25.0
6	25.0	30.0
7	30.0	35.0
8	35.0	40.0
9	40.0	45.0
10	45.0	50.0



HOW TO ORDER: 5000WS[]R

1

1- Nr. of Positions
02 to 10

 MATRIX				MATRIX TECNOLOGIA IND. E COM. LTDA.	
UNIT	SCALE	TITLE	DATE MARCH 2010		
mm		5,00mm WAFER 180°	APP. BY		
TOLERANCE: ±0.25			CHK. BY		
 		MATL	DR. BY FELIPE		
		DWG. NO.			