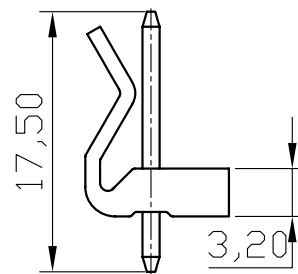
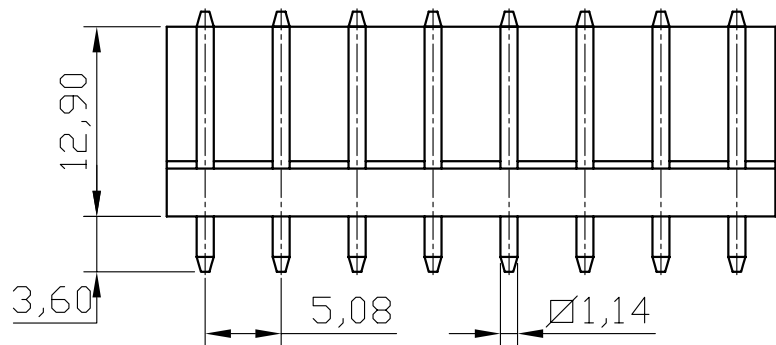
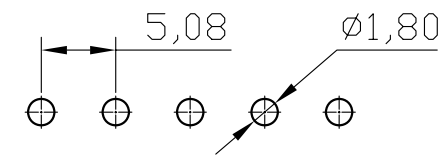
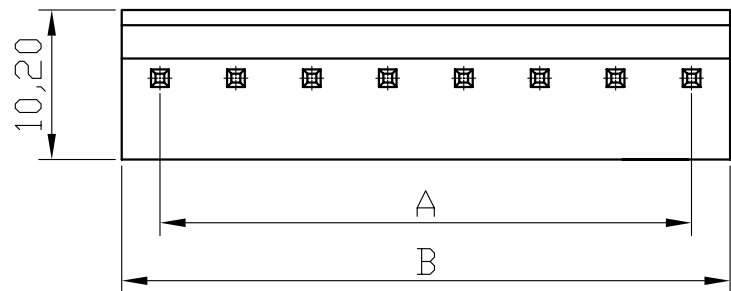


REV	ECN. NO.	APP	DATE
A	EDIÇÃO INICIAL		
B	NOVO CÓDIGO		



**SPECIFICATION**

Voltage Rating: 250V AC/DC  
 Current Rating: 5A AC/DC  
 Temperature Range: -25 ° C ~+85° C  
 Contact Resistance: 10 Milliohms Max.  
 Insulation Resistance: 1000 Megohms Min.  
 Dielectric Withstanding Voltage: 1500V AC/DC/Minute.  
 Material: Nylon 66, UL94V-2  
 Color: White



PCB LAYOUT


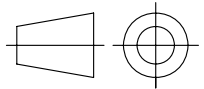
Dimension		
Poles	A	B
2	5,08	10,22
3	10,16	15,30
4	15,24	20,38
5	20,32	25,46
6	25,40	30,54
7	30,48	35,62
8	35,56	40,70
9	40,64	45,78
10	45,72	50,86

**HOW TO ORDER:**

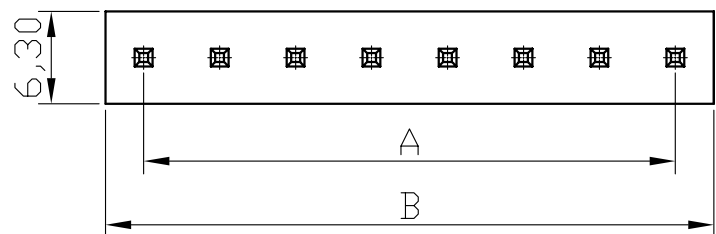
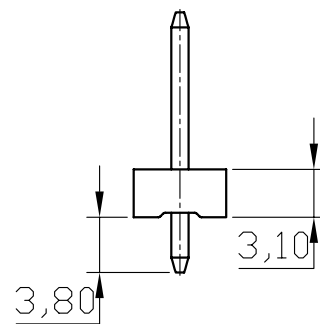
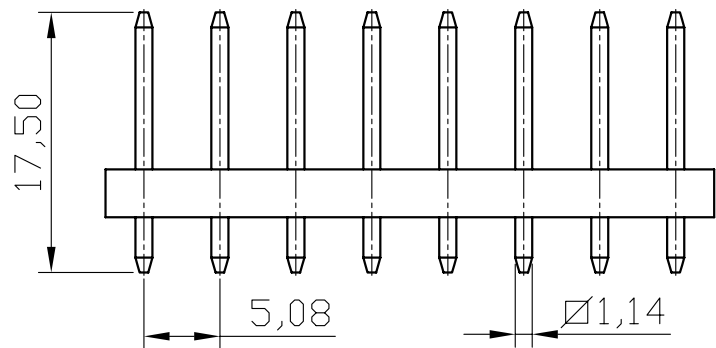
**5080W[S][ ][ ]R**

**1 2 3**

- 1- Function  
 (R)-90°  
 (S)-180°
- 2- N° of Contact  
 2 to 10
- 3- Body Option:  
 ( )-With Back  
 (N)-Without Back

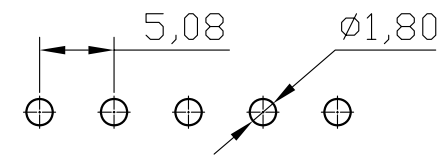
 <b>MATRIX TECNOLOGIA IND. E COM. LTDA.</b>			
UNIT mm	SCALE	TITLE 5,08mm WAFER 180° WITH BACK	DATE MARCH 2010
TOLERANCE: ±0.25			APP. BY
		MATL	CHK. BY
		DWG. NO.	DR. BY FELIPE

REV	ECN. NO.	APP	DATE
A	EDIÇÃO INICIAL		
B	NOVO CÓDIGO		



**SPECIFICATION**

Voltage Rating: 250V AC/DC  
 Current Rating: 5A AC/DC  
 Temperature Range: -25 ° C ~+85° C  
 Contact Resistance: 10 Milliohms Max.  
 Insulation Resistance: 1000 Megohms Min.  
 Dielectric Withstanding Voltage: 1500V AC/DC/Minute.  
 Material: Nylon 66, UL94V-2  
 Color: White



PCB LAYOUT


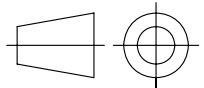
Dimension		
Poles	A	B
2	5,08	10,30
3	10,16	15,40
4	15,24	20,50
5	20,32	25,60
6	25,40	30,70
7	30,48	35,80
8	35,56	41,00
9	40,64	46,10
10	45,72	51,20

**HOW TO ORDER:**

**5080W[S][ ][N]R**

**1 2 3**

- 1- Function  
 (90)-90°  
 (180)-180°
- 2- N° of Contact  
 2 to 10
- 3- Body Option:  
 ( )-With Back  
 (N)-Without Back

 <b>MATRIX TECNOLOGIA IND. E COM. LTDA.</b>			
UNIT mm	SCALE	TITLE 5,08mm WAFER 180° WITHOUT BACK	DATE MARCH 2010
TOLERANCE: ±0.25			APP. BY
		MATL	CHK. BY
		DWG. NO.	DR. BY FELIPE