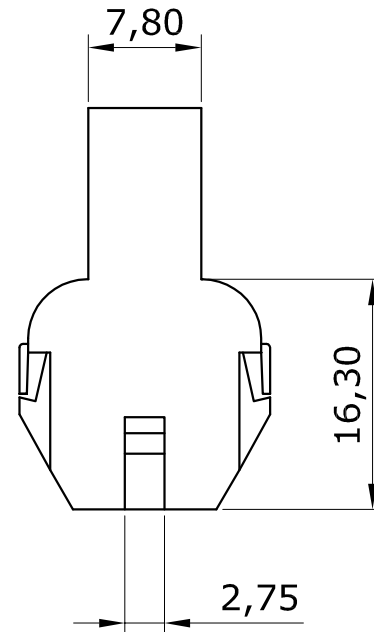
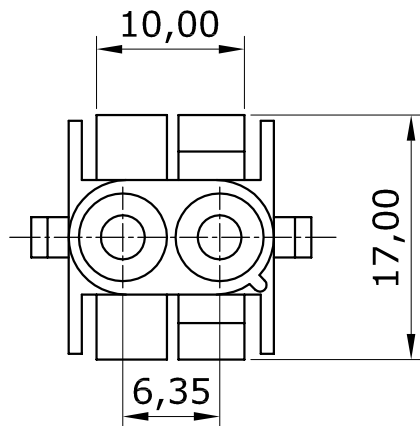
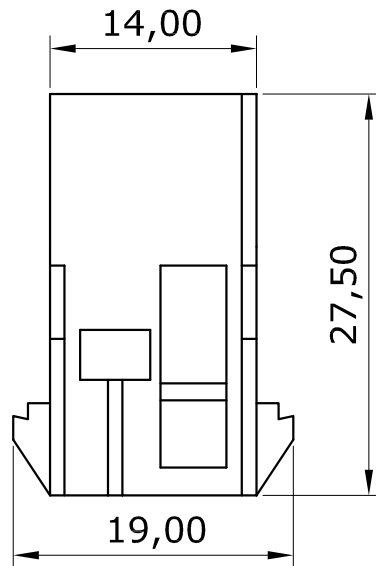
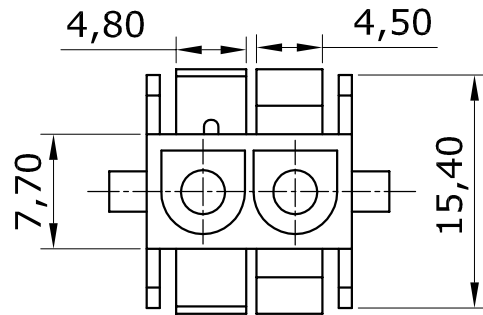


REV/	ECN. NO.	APP	DATE
A	EDIÇÃO INICIAL		
B	ANTIGO: 6350HxxxR		



SPECIFICATIONS:


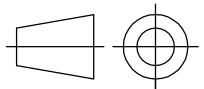
Applicable wires: AWG20#~14#
 Applicable PC board thickness: 1.6mm
 Temperature range: -25°C~105°C
 Voltage rating: 300V AC/DC
 Current rating: 12~8A
 Contact resistance: <0,01Ω
 Insulation resistance: > 1000MΩ
 Material: (Nylon) UL94V-(2)0

HOW TO ORDER:

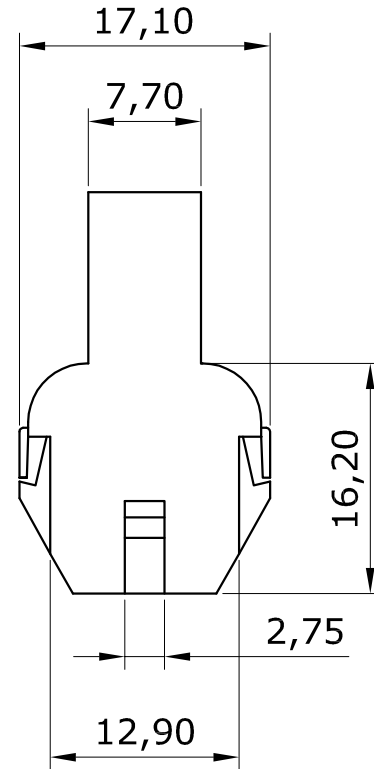
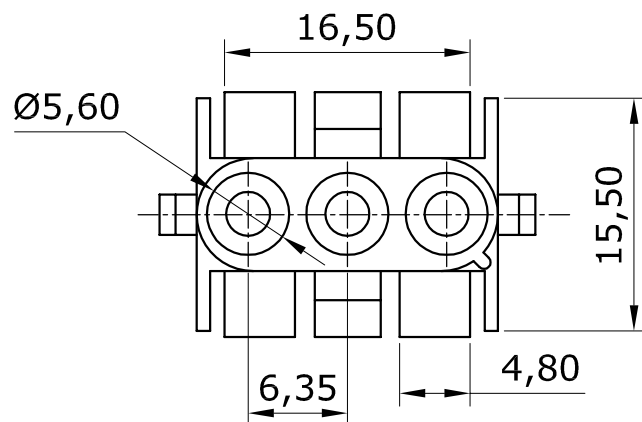
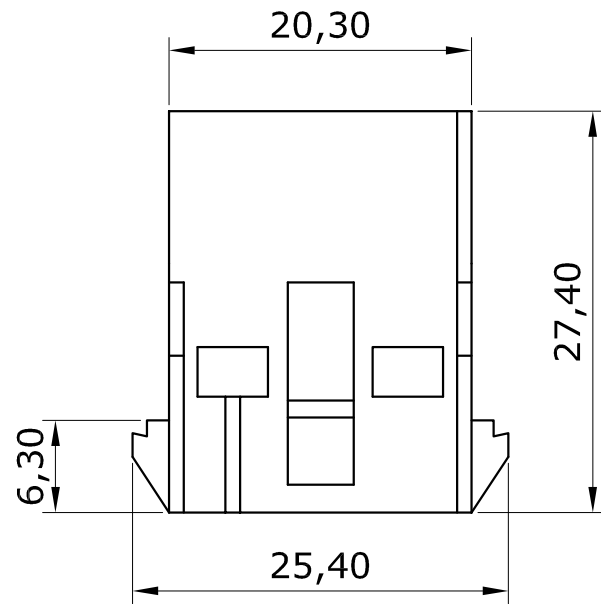
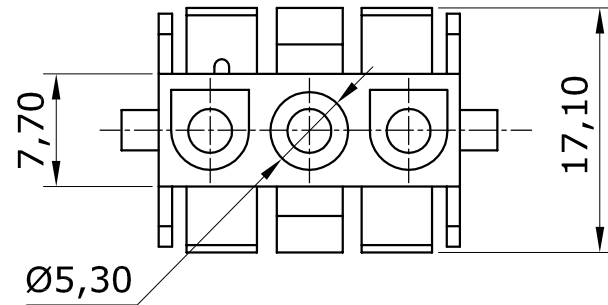
3801HF[02][R]

1 2

1- Nr. of Ways
 2-(R) RoHS Compliant

 MATRIX TECNOLOGIA IND. E COM. LTDA.			
UNIT mm	SCALE	TITLE Female Housing 6,35mm 02 Ways	DATE September 2011
TOLERANCE: ±0.25			APP. BY
		MATL	CHK. BY
		DWG. NO.	DR. BY GABRIEL

REV/	ECN. NO.	APP	DATE
A	EDIÇÃO INICIAL		
B	ANTIGO: 6350HxxxR		



SPECIFICATIONS:


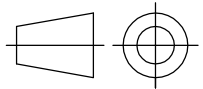
Applicable wires: AWG20#~14#
 Applicable PC board thickness: 1.6mm
 Temperature range: -25°C~105°C
 Voltage rating: 300V AC/DC
 Current rating: 12~8A
 Contact resistance: <0,01Ω
 Insulation resistance: > 1000MΩ
 Material: (Nylon) UL94V-(2)0

HOW TO ORDER:

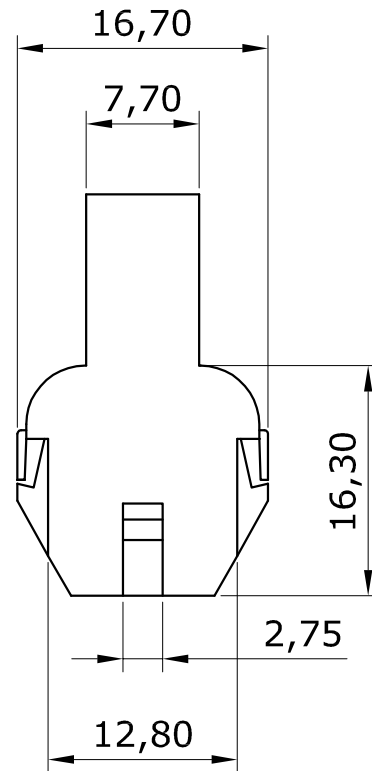
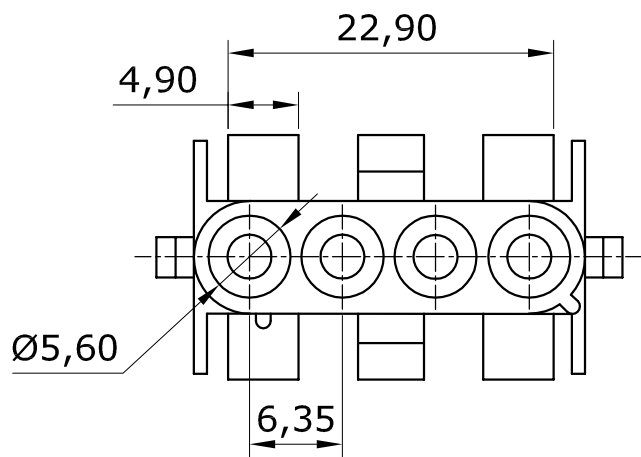
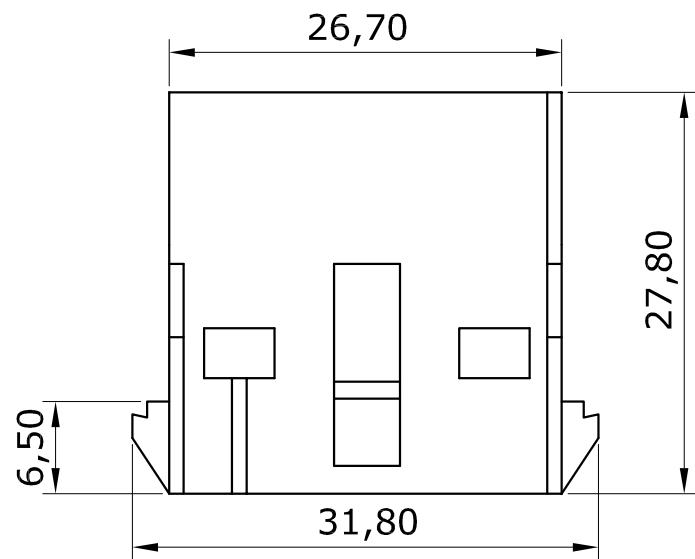
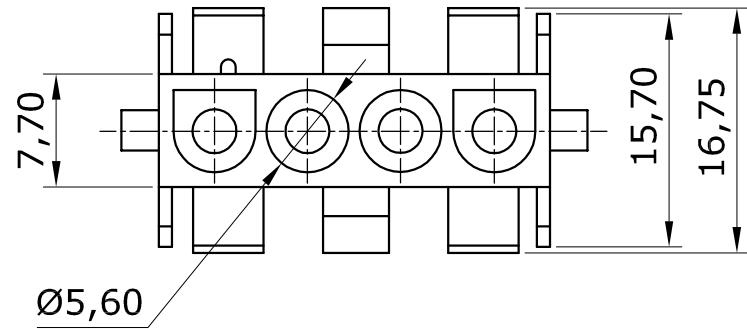
3801HF[03][R]

1 2

1- Nr. of Ways
 2-(R) RoHS Compliant

 MATRIX TECNOLOGIA IND. E COM. LTDA.			
UNIT mm	SCALE	TITLE Female Housing 6,35mm 03 Ways	DATE September 2011
TOLERANCE: ±0.25			APP. BY
		MATL	CHK. BY
DWG. NO.			DR. BY GABRIEL

REV	ECN. NO.	APP	DATE
A	EDIÇÃO INICIAL		
B	ANTIGO: 6350HxxxR		



SPECIFICATIONS:

Applicable wires: AWG20#~14#
 Applicable PC board thickness: 1.6mm
 Temperature range: -25°C~105°C
 Voltage rating: 300V AC/DC
 Current rating: 12~8A
 Contact resistance: <0,01Ω
 Insulation resistance: > 1000MΩ
 Material: (Nylon) UL94V-(2)0

HOW TO ORDER:

3801HF[04][R]

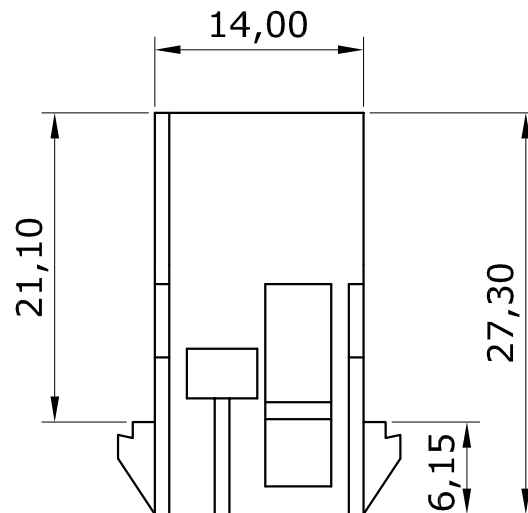
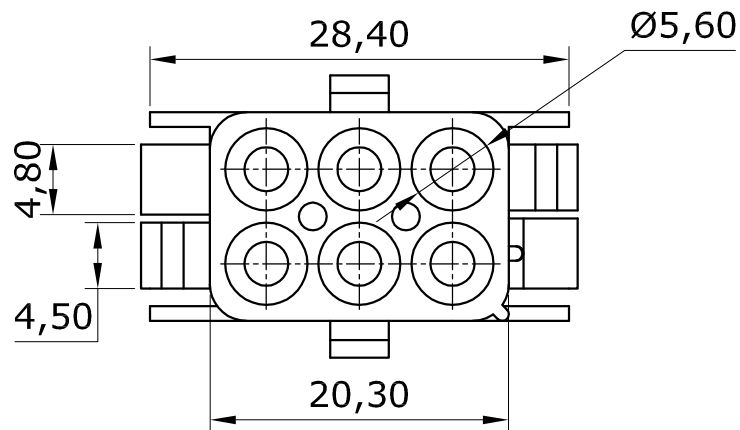
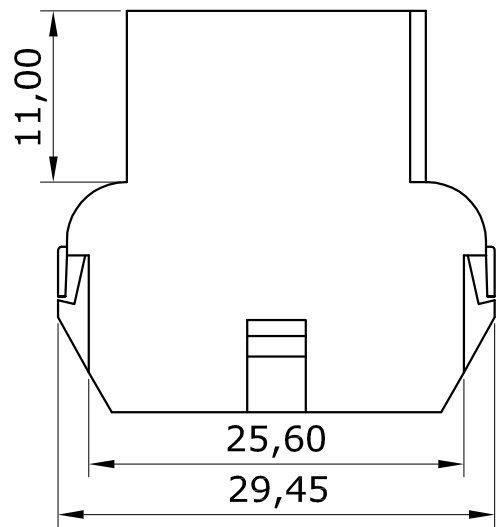
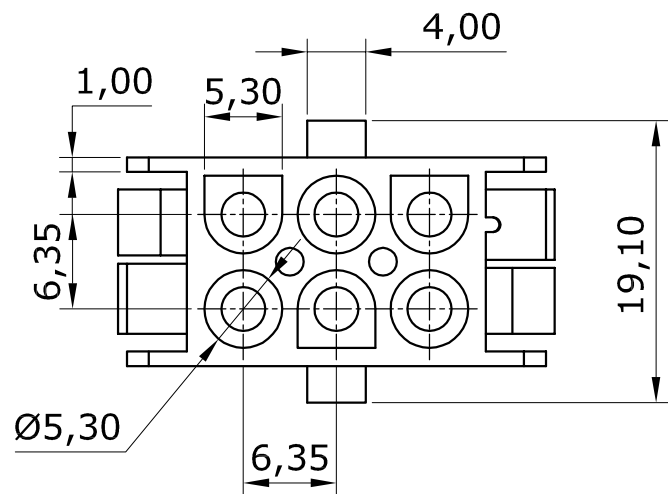
1 2

1- Nr. of Ways
 2-(R) RoHS Compliant



MATRIX TECNOLOGIA IND. E COM. LTDA.

UNIT mm	SCALE	TITLE Female Housing 6,35mm 04 Ways	DATE September 2011
TOLERANCE: ±0.25			APP. BY
		MATL	CHK. BY
		DWG. NO.	DR. BY GABRIEL



REV/	ECN. NO.	APP	DATE
A	EDIÇÃO INICIAL		
B	ANTIGO: 6350HxxxR		

SPECIFICATIONS:


Applicable wires: AWG20#~14#
 Applicable PC board thickness: 1.6mm
 Temperature range: -25°C~105°C
 Voltage rating: 300V AC/DC
 Current rating: 12~8A
 Contact resistance: <0,01Ω
 Insulation resistance: > 1000MΩ
 Material: (Nylon) UL94V-(2)0

HOW TO ORDER:

3801HF[06][R]

1 2

1- Nr. of Ways
 2-(R) RoHS Compliant

 MATRIX TECNOLOGIA IND. E COM. LTDA.			
UNIT	mm	SCALE	TITLE
TOLERANCE: ±0.25			DATE September 2011
			APP. BY
			CHK. BY
			DR. BY GABRIEL

MATRIX TECNOLOGIA IND. E COM. LTDA.

UNIT mm

SCALE

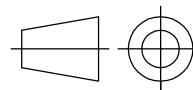
TITLE

Female Housing 6,35mm
06 Ways

DATE September 2011

TOLERANCE: ±0.25

APP. BY



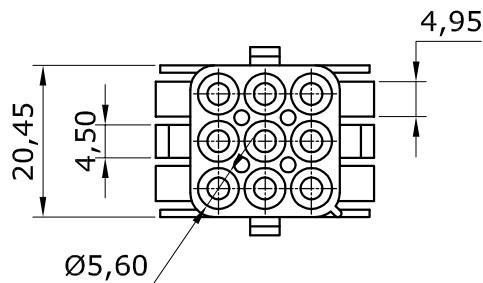
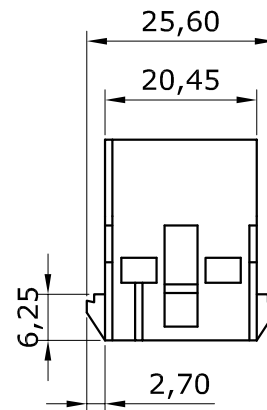
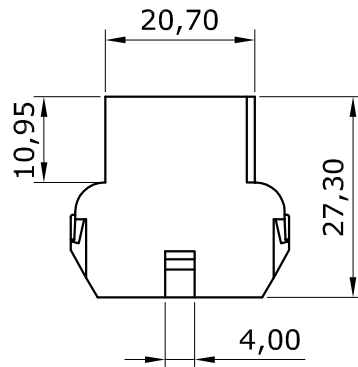
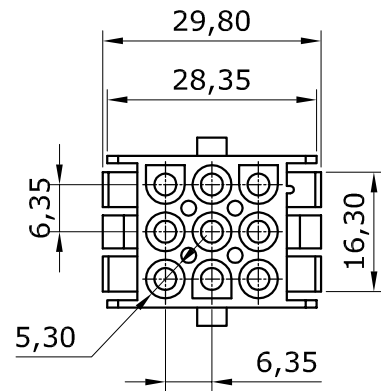
MATL

CHK. BY

DWG. NO.

DR. BY GABRIEL

REV/	ECN. NO.	APP	DATE
A	EDIÇÃO INICIAL		
B	ANTIGO: 6350HxxxR		




SPECIFICATIONS:

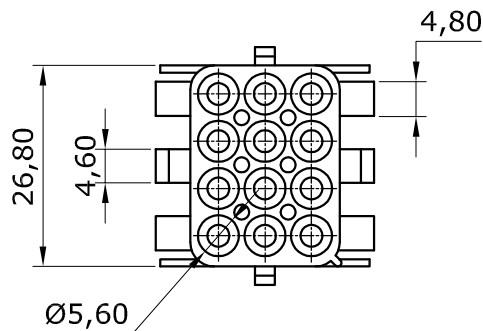
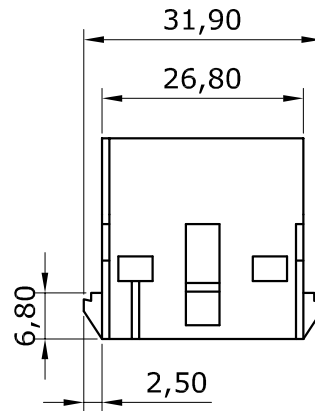
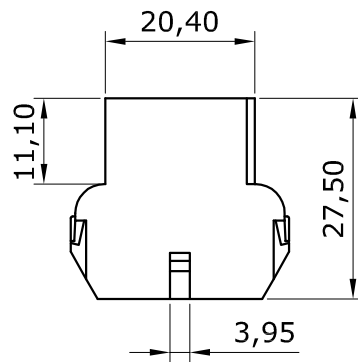
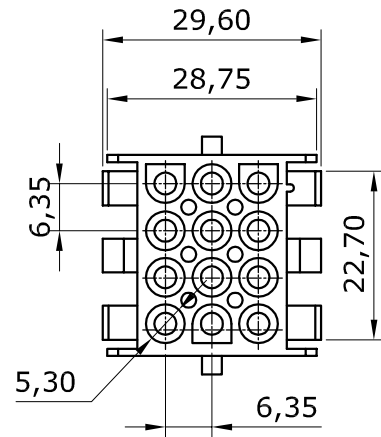
Applicable wires: AWG20#~14#
 Applicable PC board thickness: 1.6mm
 Temperature range: -25°C~105°C
 Voltage rating: 300V AC/DC
 Current rating: 12~8A
 Contact resistance: <0,01Ω
 Insulation resistance: > 1000MΩ
 Material: (Nylon) UL94V-(2)0

HOW TO ORDER: 3801HF[09][R] 1 2

1- Nr. of Ways
 2-(R) RoHS Compliant

 MATRIX TECNOLOGIA IND. E COM. LTDA.			
UNIT	mm	SCALE	TITLE
TOLERANCE: ±0.25			DATE SEPTEMBER 2011
			FEMALE HOUSING 6,35mm 09 WAYS
			APP. BY
			CHK. BY
			DR. BY GABRIEL
			DWG. NO.

REV	ECN. NO.	APP	DATE
A	EDIÇÃO INICIAL		
B	ANTIGO: 6350HxxxR		




SPECIFICATIONS:

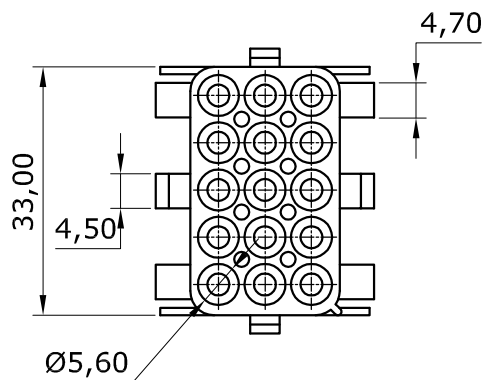
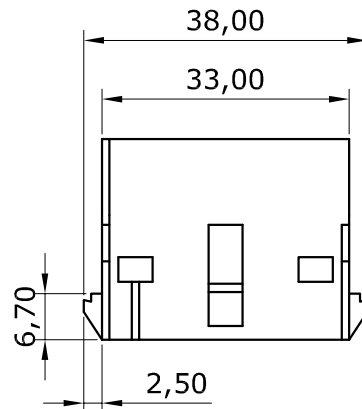
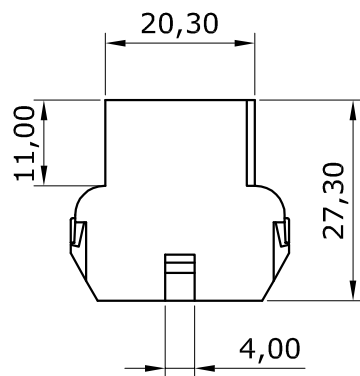
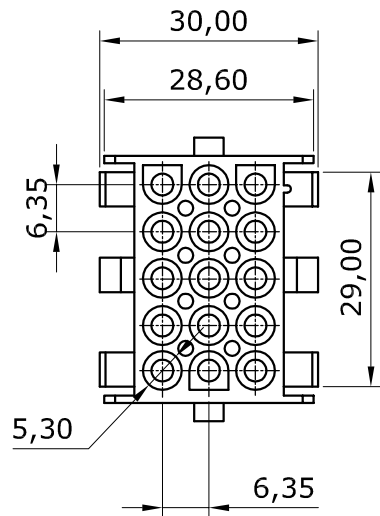
Applicable wires: AWG20#~14#
 Applicable PC board thickness: 1.6mm
 Temperature range: -25°C~105°C
 Voltage rating: 300V AC/DC
 Current rating: 12~8A
 Contact resistance: <0,01Ω
 Insulation resistance: > 1000MΩ
 Material: (Nylon) UL94V-(2)0

**HOW TO ORDER:
 3801HF[12][R]
 1 2**

1- Nr. of Ways
 2-(R) RoHS Compliant

 MATRIX TECNOLOGIA IND. E COM. LTDA.			
UNIT	mm	SCALE	TITLE
TOLERANCE: ±0.25			FEMALE HOUSING 6,35mm 12 WAYS
			DATE SEPTEMBER 2011
			APP. BY
			CHK. BY
			DR. BY GABRIEL
			DWG. NO.

REV/	ECN. NO.	APP	DATE
A	EDIÇÃO INICIAL		
B	ANTIGO: 6350HxxxR		



SPECIFICATIONS:


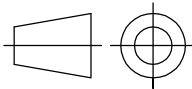
Applicable wires: AWG20#~14#
 Applicable PC board thickness: 1.6mm
 Temperature range: -25°C~105°C
 Voltage rating: 300V AC/DC
 Current rating: 12~8A
 Contact resistance: <0,01Ω
 Insulation resistance: > 1000MΩ
 Material: (Nylon) UL94V-(2)0

HOW TO ORDER:

3801HF[15][R]

1 2

1- Nr. of Ways
 2-(R) RoHS Compliant

 MATRIX TECNOLOGIA IND. E COM. LTDA.			
UNIT	mm	SCALE	TITLE
TOLERANCE: ±0.25			FEMALE HOUSING 6,35mm 15 WAYS
		MATL	DATE SEPTEMBER 2011
DWG. NO.		CHK. BY	APP. BY
		DR. BY	GABRIEL