

REV	ECN. NO.	APP	DATE
A	EDIÇÃO INICIAL		
B	NOVO CÓDIGO		

### SPECIFICATION

Current Rating: 13A AC/DC.

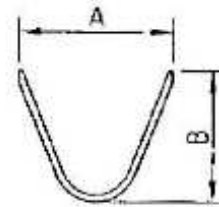
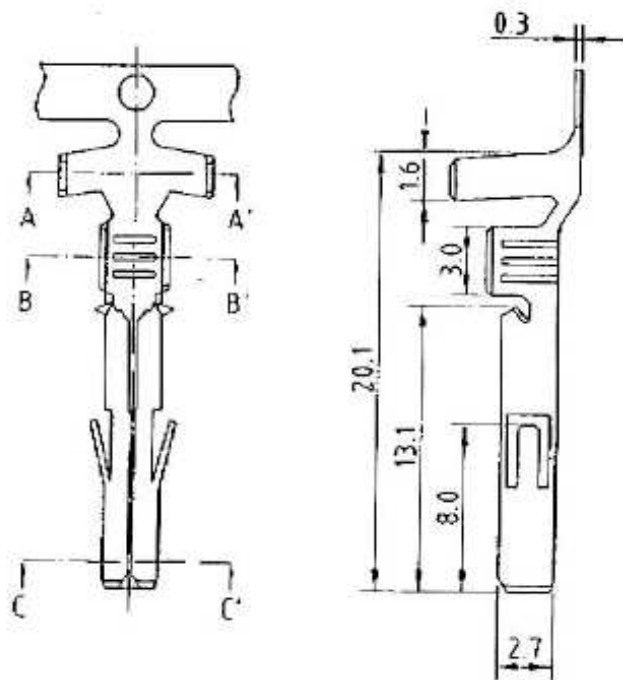
Voltage Rating: 650V AC/DC.

Contact Resistance:  $5M\Omega$  (Max)

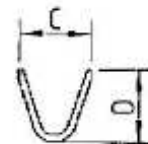
Insulation Resistance:  $1000M\Omega$  Min.

Withstand Voltage: 1500V AC / 1 Minute.

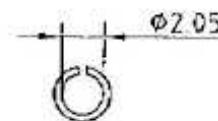
Temperature Range:  $-25^{\circ}C$  to  $+85^{\circ}C$



SECTION : A-A'



SECTION : B-B'




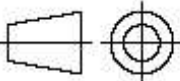
SECTION : C-C'

**HOW TO ORDER:**  
**6350TF[ ][ ]R**  
**1 2**

- 1- Terminal Plating
  - ( )-Tin
  - (D)-Gold Flash
  - (C)-Selective Gold
- 2- Wire Option
  - (D)-18~22AWG
  - (R)-16~20AWG
  - (Q)-12~14AWG

### Contact Information

Wire Range	Insulation O.D.	DIM(mm)			
		A	B	C	D
AWG #18-#22	2.80mm(MAX.)	3.3	3.3	2.4	2.4
AWG #16-#20	3.00mm(MAX.)	4.5	4.4	2.9	3.5
AWG #12-#14	3.70mm(MAX.)	6.4	5.7	2.9	3.5

 <b>MATRIX TECNOLOGIA IND. E COM. LTDA.</b>			
UNIT mm	SCALE	TITLE	DATE MARCH 2010
TOLERANCE: $\pm 0.25$		6,35mm TERMINAL FEMALE	APP. BY
		MATL	CHK. BY
		DWG. NO.	DR. BY FELIPE