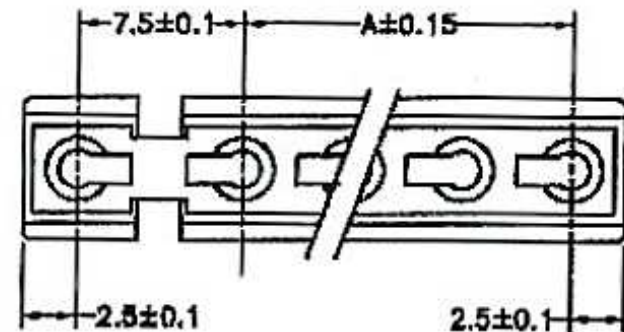
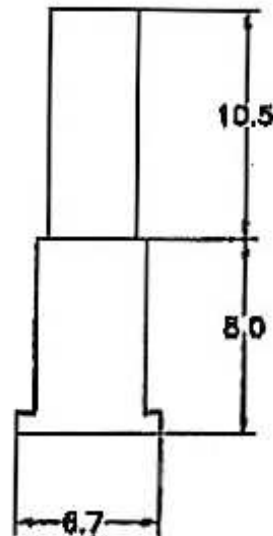
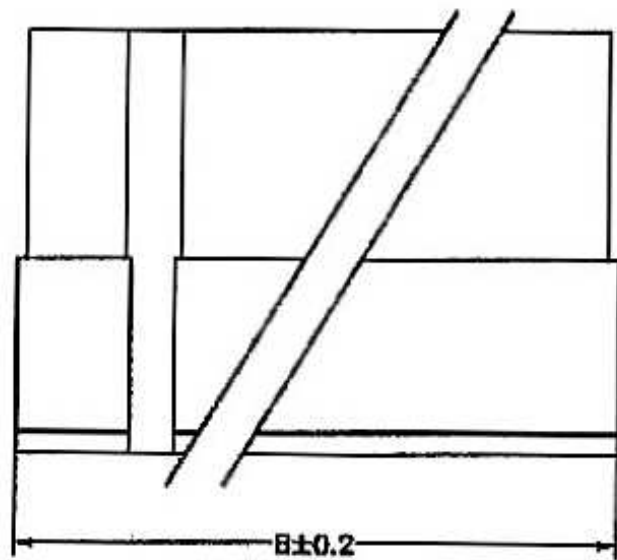


REV	ECN. NO.	APP	DATE
A	EDIÇÃO INICIAL		
B	NOVO CÓDIGO		



SPECIFICATIONS

Voltage rating: 250V AC, DC

Current rating: 7A, AC, DC

Withstanding Voltage: 1500V AC/minute

Insulation resistance: 1000MΩ min

Temperature range: -25°C~+85°C

Contact resistance: Initial Value/10mΩ max

After environmental testing/20mΩ max

HOW TO ORDER: 7550H[]JR

1

1- Nr. of Contacts
01 to 08

Poles	Dimension(mm)	
	A	B
1	-	5.9
2	-	12.5
3	5.0	17.6
4	10.0	22.5
5	15.0	27.6
6	20.0	32.5



MATRIX TECNOLOGIA IND. E COM. LTDA.

UNIT	SCALE	TITLE	DATE
mm		7,5-5,0mm HOUSING	MARCH 2010
TOLERANCE: ±0.25			APP. BY
		MATL	CHK. BY
DWG. NO.			DR. BY FELIPE