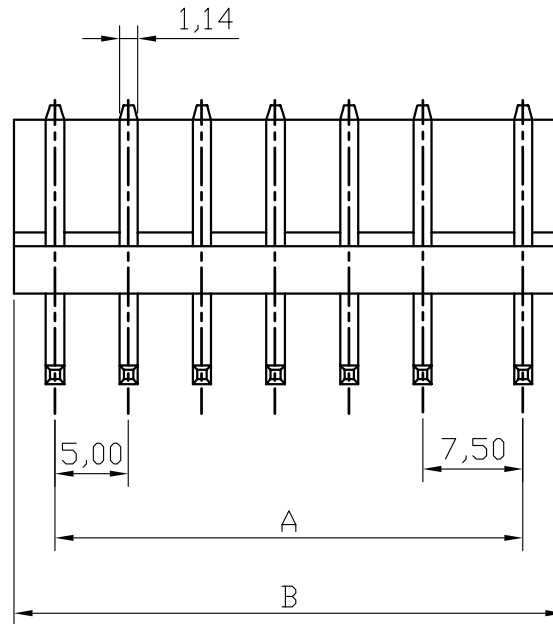
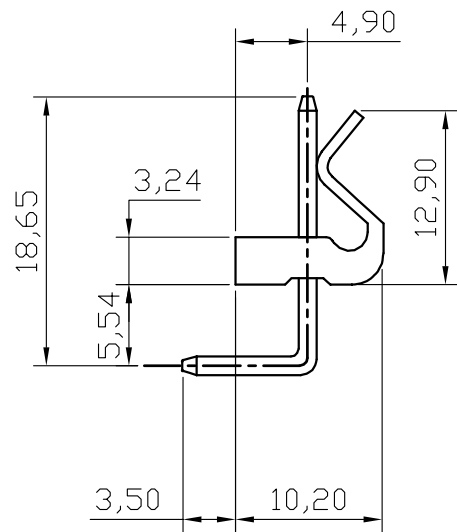


REV/	ECN. NO.	APP	DATE
A	EDIÇÃO INICIAL		
B	NOVO CÓDIGO		

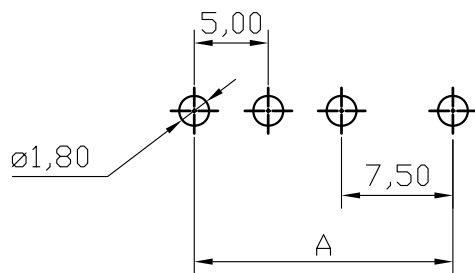


**SPECIFICATION**

Voltage Rating: 250V AC/DC  
 Current Rating: 5A AC/DC  
 Temperature Range: -25°C to +85°C  
 Contact Resistance: 10 Milliohms Max.  
 Insulation Resistance: 1,000 Megohms Min.  
 Dielectric Withstanding Voltage: 1,500V AC/DC/Minute.  
 Material: Nylon 66, UL94V-2  
 Color: White  
 Pin: Brass, Tin Plated

**HOW TO ORDER:  
 7500W[R][ ][ ]R  
 1 2 3**

- 1- Function  
 <R>-90°  
 <S>-180°
- 2- N° of Contacts  
 2 to 7
- 3- Terminal Plating:  
 < >-Tin  
 <D>-FLASH Gold



**PCB LAYOUT**

Poles	Dimension	
	A	B
2	7.5	12.4
3	12.5	17.4
4	17.5	22.4
5	22.5	27.4
6	27.5	32.4
7	32.5	37.4



**MATRIX TECNOLOGIA IND. E COM. LTDA.**

UNIT mm	SCALE	TITLE 7,5-5,0mm WAFER 90°	DATE MARCH 2010
TOLERANCE: ±0.25			APP. BY
		MATL	CHK. BY
		DWG. NO.	DR. BY FELIPE