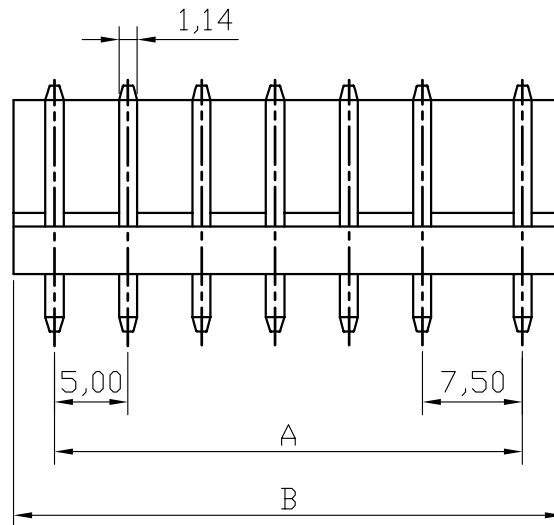
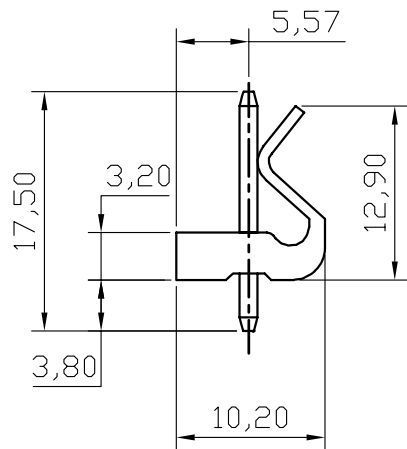


REV	ECN. NO.	APP	DATE
A	EDIÇÃO INICIAL		
B	NOVO CÓDIGO		



SPECIFICATION

Voltage Rating: 250V AC/DC

Current Rating: 5A AC/DC

Temperature Range: -25°C to +85°C

Contact Resistance: 10 Milliohms Max.

Insulation Resistance: 1,000 Megohms Min.

Dielectric Withstanding Voltage: 1,500V

AC/DC/Minute.

Material: Nylon 66, UL94V-2

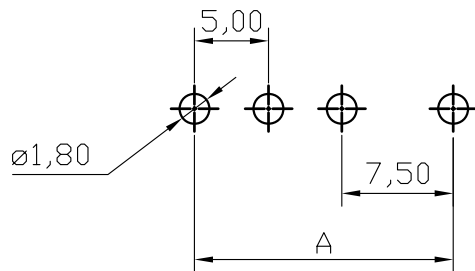
Color: White

Pin: Brass, Tin Plated

HOW TO ORDER:

7500W[S][][]R

1 2 3



PCB LAYOUT

Poles	Dimension	
	A	B
2	7.5	12.4
3	12.5	17.4
4	17.5	22.4
5	22.5	27.4
6	27.5	32.4
7	32.5	37.4

- 1- Function
<90>-90°
<180>-180°
- 2- N° of Contacts
2 to 7
- 3- Terminal Plating:
< >-Tin
<D>-FLASH Gold



MATRIX TECNOLOGIA IND. E COM. LTDA.

UNIT	SCALE	TITLE	DATE
mm		7,5-5,0mm WAFER 180°	MARCH 2010
TOLERANCE: ±0.25			APP. BY
		MATL	CHK. BY
		DWG. NO.	DR. BY FELIPE