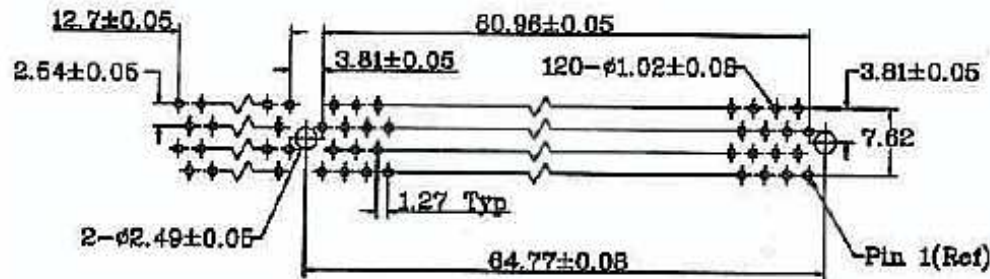
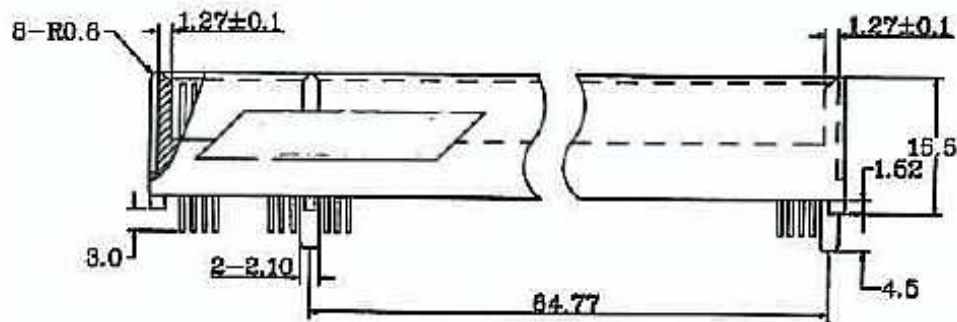
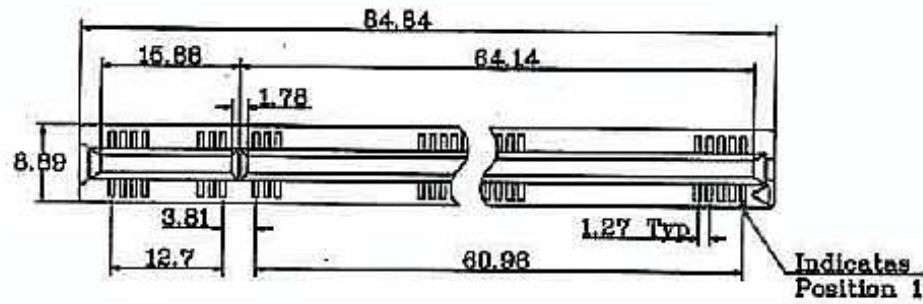
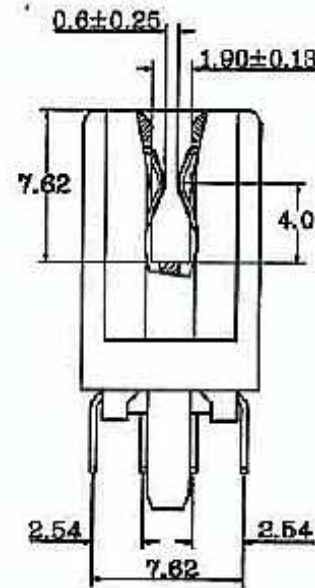


REV	ECN. NO.	APP	DATE
A	EDIÇÃO INICIAL		
B	NOVO CÓDIGO		



P.C. Board Layout


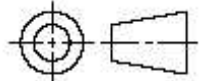


Section

## HOW TO ORDER: PCI[ ] [ ]R 1 2

1- Nr. of Contacts  
(120)

2- Terminal Plating:  
(E)-Sn  
(D)-FLASH Au  
(F)-0,38um Au  
(G)-0,76um Au  
(C)-0,38um Au/Sn

 <b>MATRIX</b>		<b>MATRIX TECNOLOGIA IND. E COM. LTDA.</b>	
UNIT mm	SCALE	TITLE EDGE CONNECTOR PCI 120	DATE MARCH 2010
TOLERANCE: ±0.25			APP. BY
		MATL	CHK. BY
DWG. NO.			DR. BY FELIPE