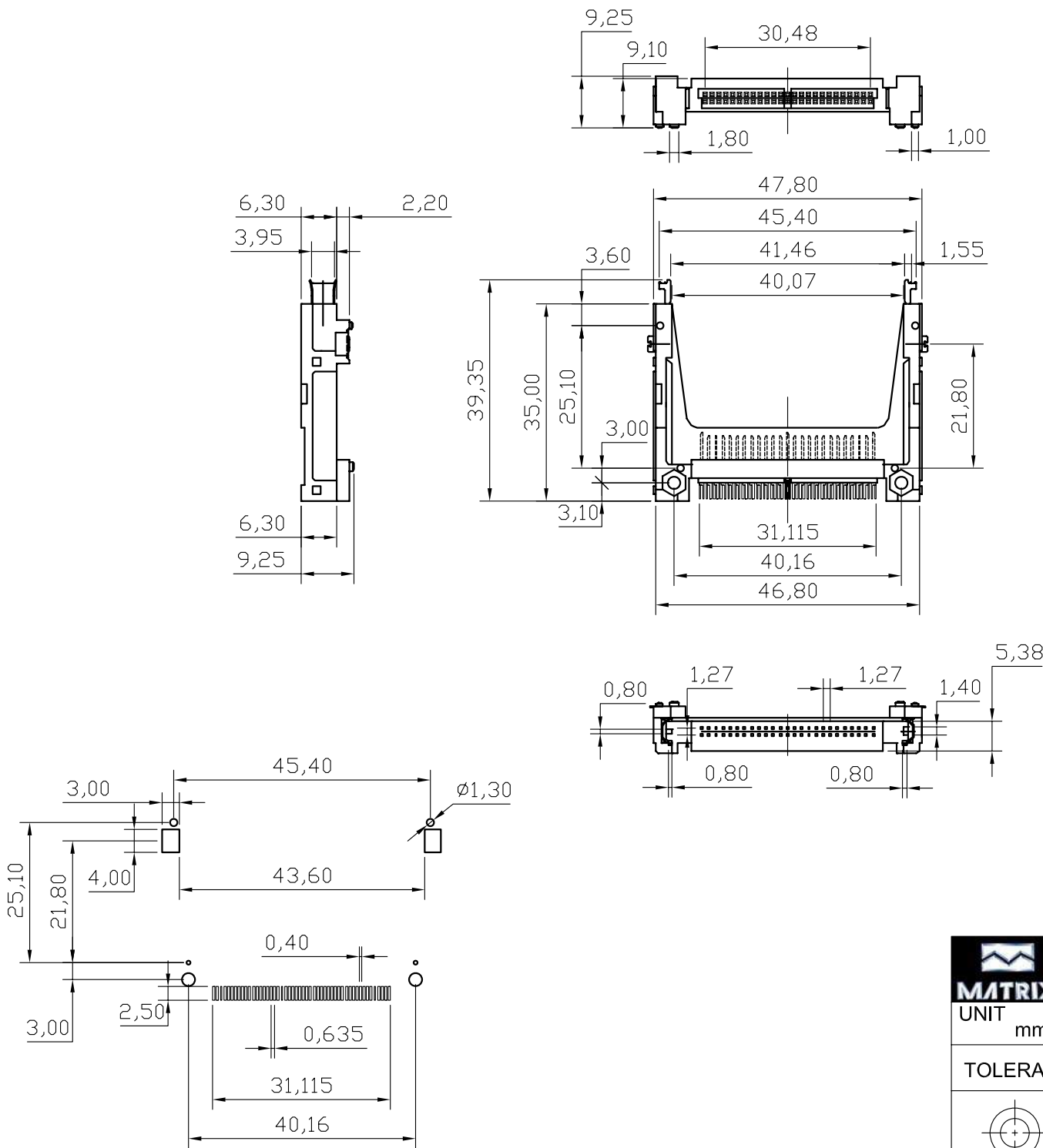



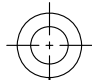
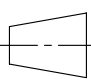
REV	ECN. NO.	APP	DATE
A	EDIÇÃO INICIAL		
B	NOVO CÓDIGO		



NOTES  
MATERIAL  
Insulator: Glass Reinforced LCP UL94V-0  
Contacts: Brass  
Mount ear: Brass;Tin/Lead plated overall  
CONTACT PLATING  
Contact area: Gold flash plating over 40u" Nickel  
Solder tail area:100u" Tin/Lead plating over 40u" Nickel

## HOW TO ORDER: CF7753W50[A]DR 1

- 1- Contact Type
- (M)- Type 1
- (A)- Type 2
- (B)- Slim Type

 <b>MATRIX TECNOLOGIA IND. E COM. LTDA.</b>		UNIT	SCALE	TITLE	DATE
		mm	1:1	CFA Socket Male 50 Ways Type 2	MARCH 2010
TOLERANCE: ±0.25				APP. BY	
 		MATL		CHK. BY	
		DWG. NO.		DR. BY FELIPE	