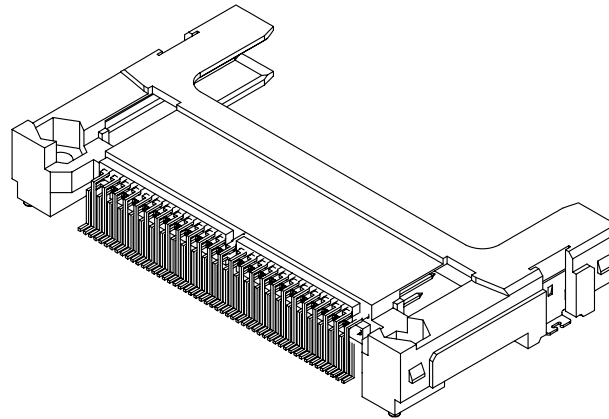


REV	ECN. NO.	APP	DATE
A	EDIÇÃO INICIAL		
B	NOVO CÓDIGO		



NOTES

MATERIAL

Insulator: Glass Reinforced LCP UL94V-0

Contacts: Brass

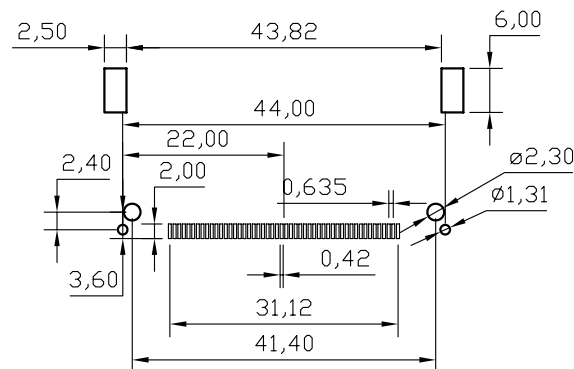
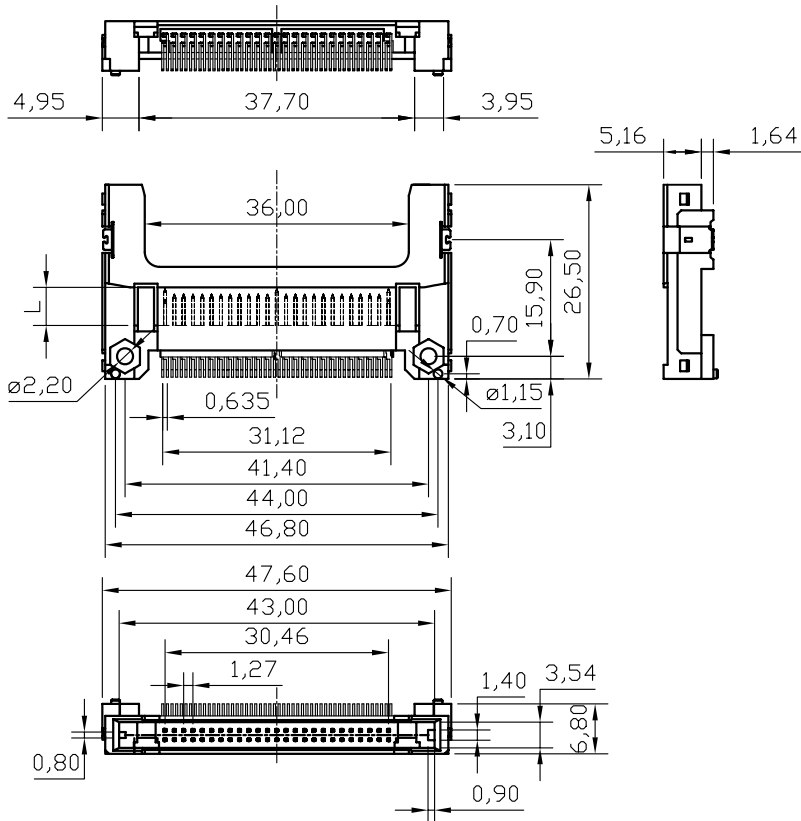
Mount ear: Brass;Tin/Lead plated overall

CONTACT PLATING

Contact area: Gold flash plating over 40u" Nickel

Solder tail area:100u" Tin/Lead plating over 40u" Nickel

POWER	5.00mm	1,13,38,50
GENERAL	4.25mm	all other pins
DETECT	3.50mm	25,26
Pin type	Interface Dim. L	Pin No.



RECOMMENDED P.C.B. LAYOUT

**HOW TO ORDER:
CF7753W50[M]DR**

1

- 1- Contact Type
- (M)- Type 1
- (A)- Type 2
- (B)- Slim Type



MATRIX TECNOLOGIA IND. E COM. LTDA.

UNIT mm	SCALE 1:1	TITLE CFA Socket Male 50 Ways Type 1	DATE MARCH 2010
TOLERANCE: ± 0.25			APP. BY
		MATL	CHK. BY
		DWG. NO.	DR. BY FELIPE