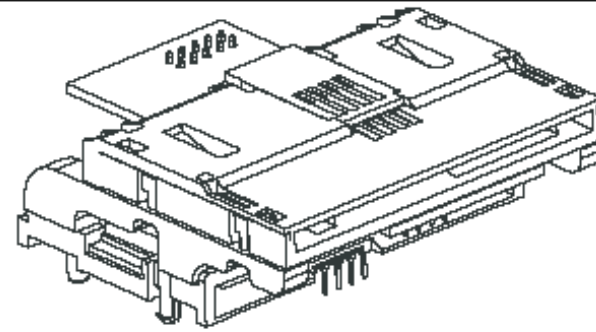
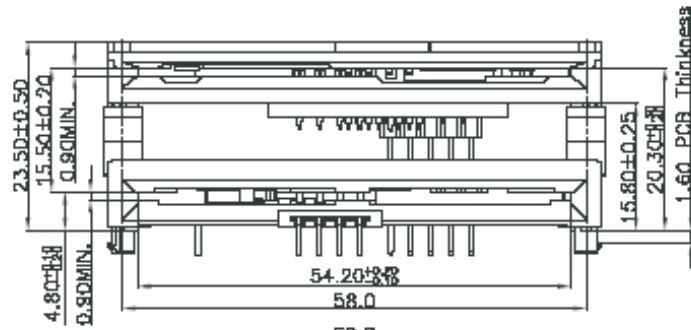


REV	ECN. NO.	APP	DATE
A	EDIÇÃO INICIAL		
B	NOVO CÓDIGO		



### TECHNICAL CHARACTERISTICS

#### 1. General Characteristics

Dimensions: 62.60L x 70.00W x 23.50H mm  
 Weight: Approx. 16.5 g  
 Contact principle: Friction technology  
 Operating position: Shaft up / Down / Horizontal  
 Mounting System: Thru-Hole with snap-in lock  
 Durability: 100,000 cycles min.

#### 2. Mechanical Characteristics

Insulation material: Thermoplastic, UL 94V-0

#### 3. Electrical Characteristics

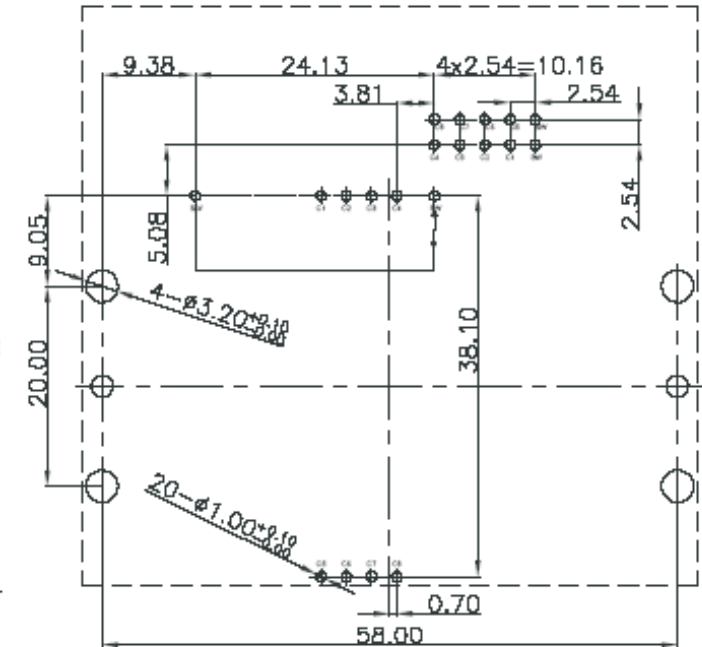
Number of contacts: 8 pins  
 Contact resistance: 50 mΩ typical, 100 mΩ max.  
 Insulation resistance: >1000 MΩ / 500 VDC  
 Switch type: Blade  
 Operation: Normally Close

#### 4. Solderability

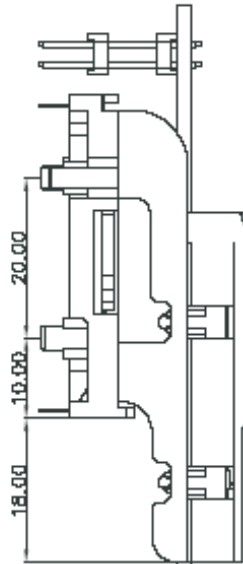
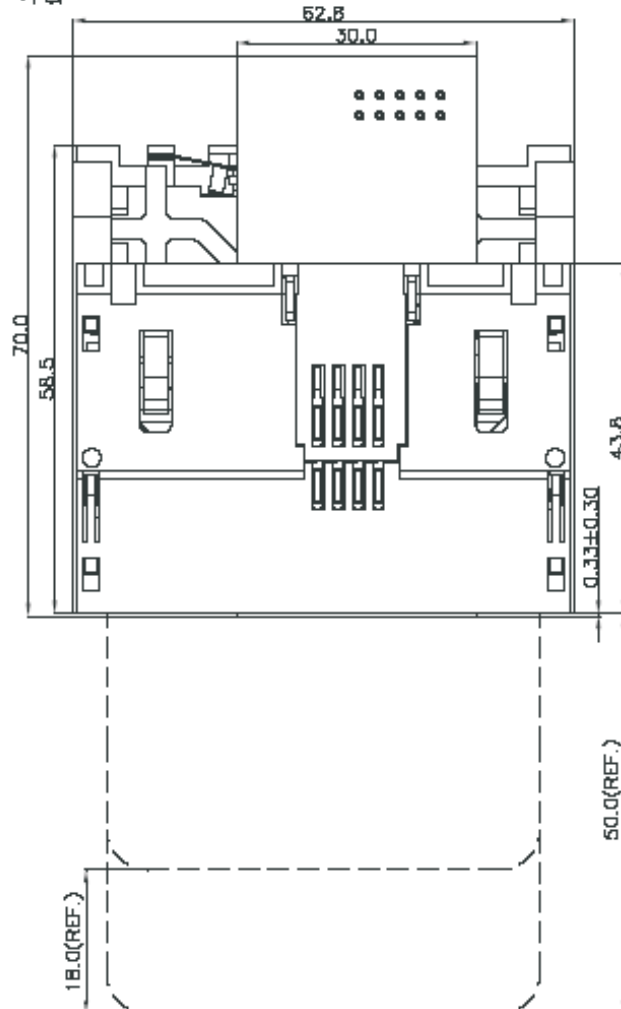
Wave: 260°C, 5 sec.  
 IR reflow: Not applicable  
 Manual soldering: 360°C, 3 sec. Max.

#### 5. Environmental Characteristics


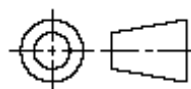
Operating temperature: - 40°C ~ + 85°C  
 Operating humidity: 10 % ~ 95 % RH  
 Storage temperature: - 40°C ~ + 85°C  
 Storage humidity: 10 % ~ 95 % RH



Unit: mm; Tolerances: ±0.05 mm  
 Reference dimension for PCB layout



### HOW TO ORDER: ICA6688CTHR

 <b>MATRIX TECNOLOGIA IND. E COM. LTDA.</b>			
UNIT mm	SCALE	TITLE	DATE MARCH 2010
TOLERANCE: ±0.25		ICA6688CTHR	APP. BY
		MATL	CHK. BY
		DWG. NO.	DR. BY FELIPE