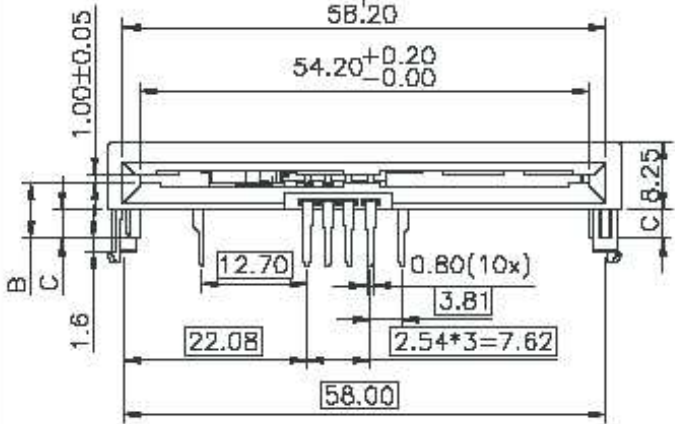
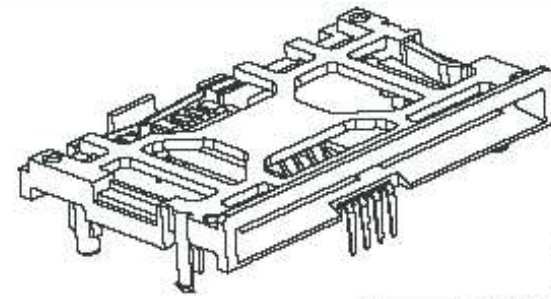
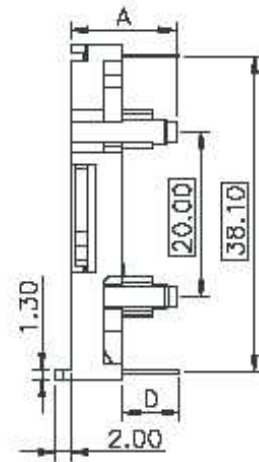
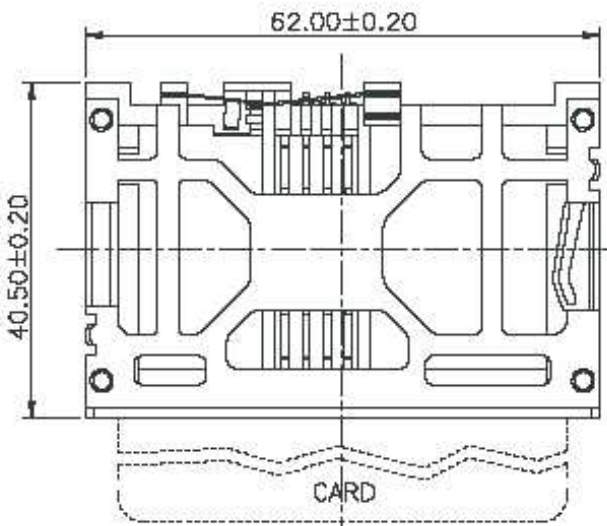
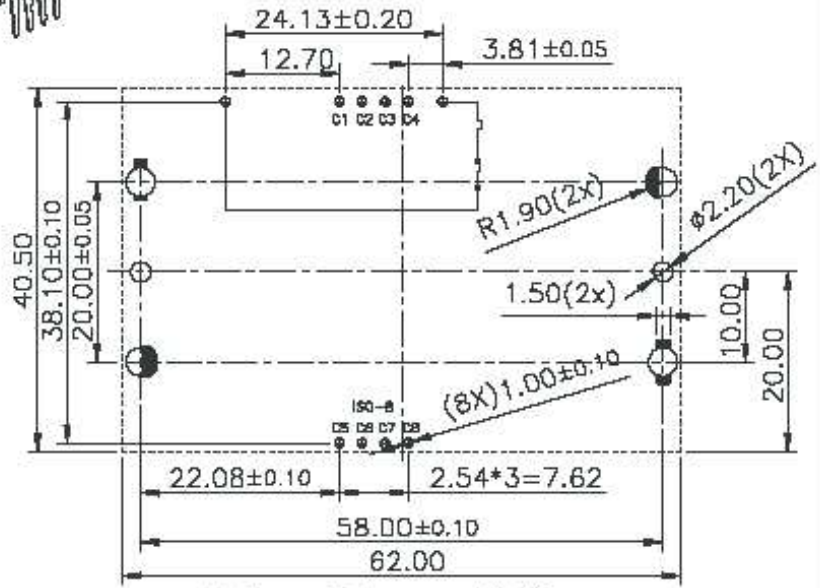


REV	ECN. NO.	APP	DATE
A	EDIÇÃO INICIAL		
B	NOVO CÓDIGO		



A	B	C(STAND OFF)	D
9.60	3.85	0.55	3.75
12.20	6.45	3.15	6.35
12.55	6.8	3.5	6.70
14.60	8.85	5.55	8.75



Unit: mm; Tolerances: ±0.15 mm
Reference dimension for PCB layout

HOW TO ORDER: ICA6598C[]TH

1

1- Dimension "C"
0,55; 3,15; 3,50 or 5,55

TECHNICAL CHARACTERISTICS

1. General Characteristics

Dimensions: 62.00L x 40.50W x 6.80H mm
62.00L x 40.50W x 9.40H mm
62.00L x 40.50W x 9.75H mm
62.00L x 40.50W x 11.80H mm

Standoff H=0.55, 3.15, 3.50, 5.55 mm optional
Weight: Approx. 7.3 g

Contact principle: Friction technology
Operating position: Shaft up / Down / Horizontal
Mounting System: Thru-Hole with snap-in lock
Durability: 100,000 cycles min.

2. Mechanical Characteristics

Insulation material: Thermoplastic, UL 94V-0

3. Electrical Characteristics

Number of contacts: 8 pins
Contact resistance: 50 mΩ typical, 100 mΩ max.
Insulation resistance: >1000 MΩ / 500 VDC
Switch type: Blade
Operation: Normally Close

4. Solderability

Wave: 260°C, 5 sec.
IR reflow: Not applicable
Manual soldering: 360°C, 3 sec. Max.

5. Environmental Characteristics

Operating temperature: -40°C ~ +85°C
Operating humidity: 10% ~ 95% RH
Storage temperature: -40°C ~ +85°C
Storage humidity: 10% ~ 95% RH



MATRIX TECNOLOGIA IND. E COM. LTDA.

UNIT mm	SCALE	TITLE ICA6598C X THR	DATE MARCH 2010
TOLERANCE: ±0.25			APP. BY
		MATL	CHK. BY
		DWG. NO.	DR. BY FELIPE