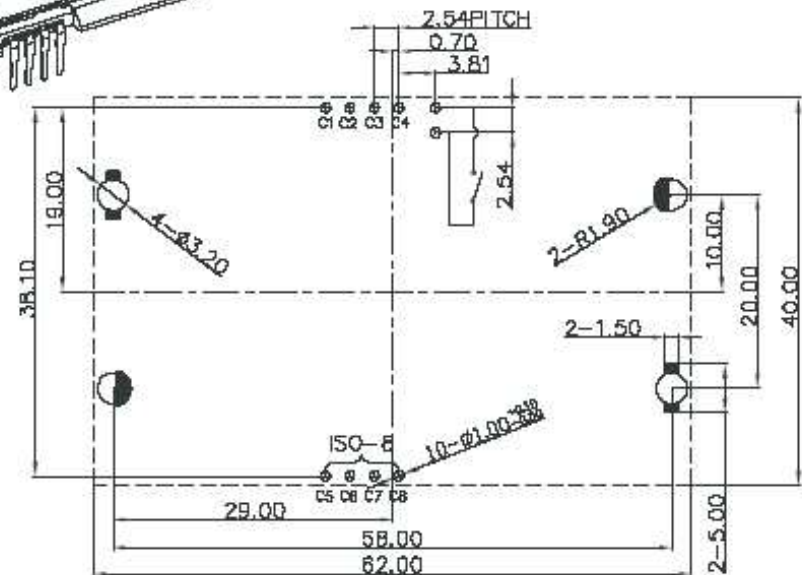
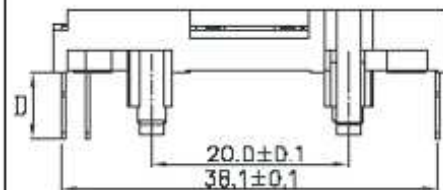


| REV | ECN. NO. | APP | DATE |
|-----|----------------|-----|------|
| A | EDIÇÃO INICIAL | | |
| B | NOVO CÓDIGO | | |
| | | | |



Unit: mm; Tolerances: ± 0.05 mm
Reference dimension for PCB layout

| A | B | C (STAND OFF) | D |
|-------|------|---------------|------|
| 12.20 | 6.45 | 3.15 | 6.35 |
| 12.55 | 6.80 | 3.50 | 6.70 |
| 14.60 | 8.85 | 5.55 | 8.75 |



TECHNICAL CHARACTERISTICS

1. General Characteristics

Dimensions: $62.00L \times 40.00W \times 9.40H$ mm
 $62.00L \times 40.00W \times 9.75H$ mm
 $62.00L \times 40.00W \times 11.80H$ mm
 Standoff H=3.15, 3.50, 5.55 mm (optional)
 Weight: Approx. 7.0 g
 Contact principle: Friction technology
 Operating position: Shaft up / Down / Horizontal
 Mounting System: Thru-Hole with snap-in lock
 Durability: 100,000 cycles min.

2. Mechanical Characteristics

Insulation material: Thermoplastic, UL 94V-0
 RoHS Directive 2002/95/EC Compliant

3. Electrical Characteristics

Number of contacts: 8 pins
 Contact resistance: 50 m Ω typical, 100 m Ω max.
 Insulation resistance: >1000 M Ω / 500 VDC
 Switch type: Blade
 Operation: Normally Open or Close

4. Solderability

Wave: 260°C, 5 sec.
 IR reflow: Not applicable
 Manual soldering: 360°C, 3 sec. Max.

5. Environmental Characteristics

Operating temperature: -40°C ~ +85°C
 Operating humidity: 10% ~ 95% RH
 Storage temperature: -40°C ~ +85°C
 Storage humidity: 10% ~ 95% RH

HOW TO ORDER: ICA6198C[]THR

1

1- Dimension "C"
3,15; 3,50 or 5,55



MATRIX TECNOLOGIA IND. E COM. LTDA.

| UNIT | SCALE | TITLE | DATE |
|-----------------------|-------|----------------|---------------|
| mm | | ICA6198C X THR | MARCH 2010 |
| TOLERANCE: ± 0.25 | | | APP. BY |
| | | MATL | CHK. BY |
| | | DWG. NO. | DR. BY FELIPE |