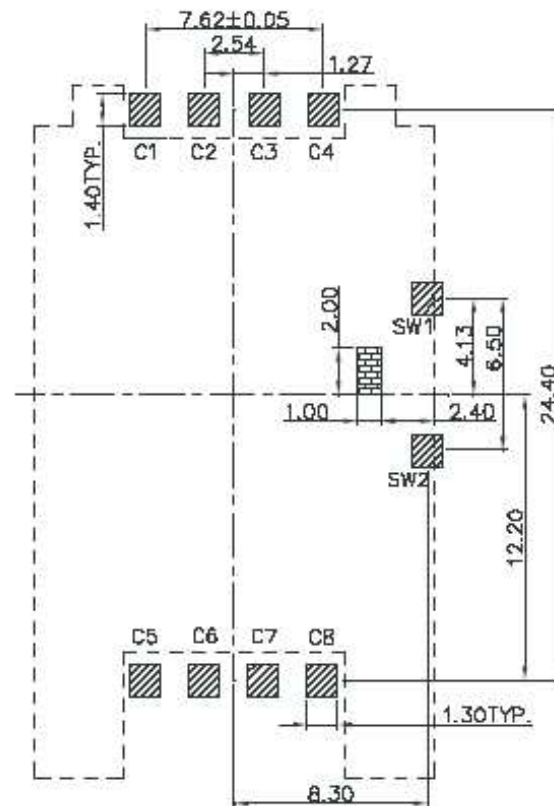
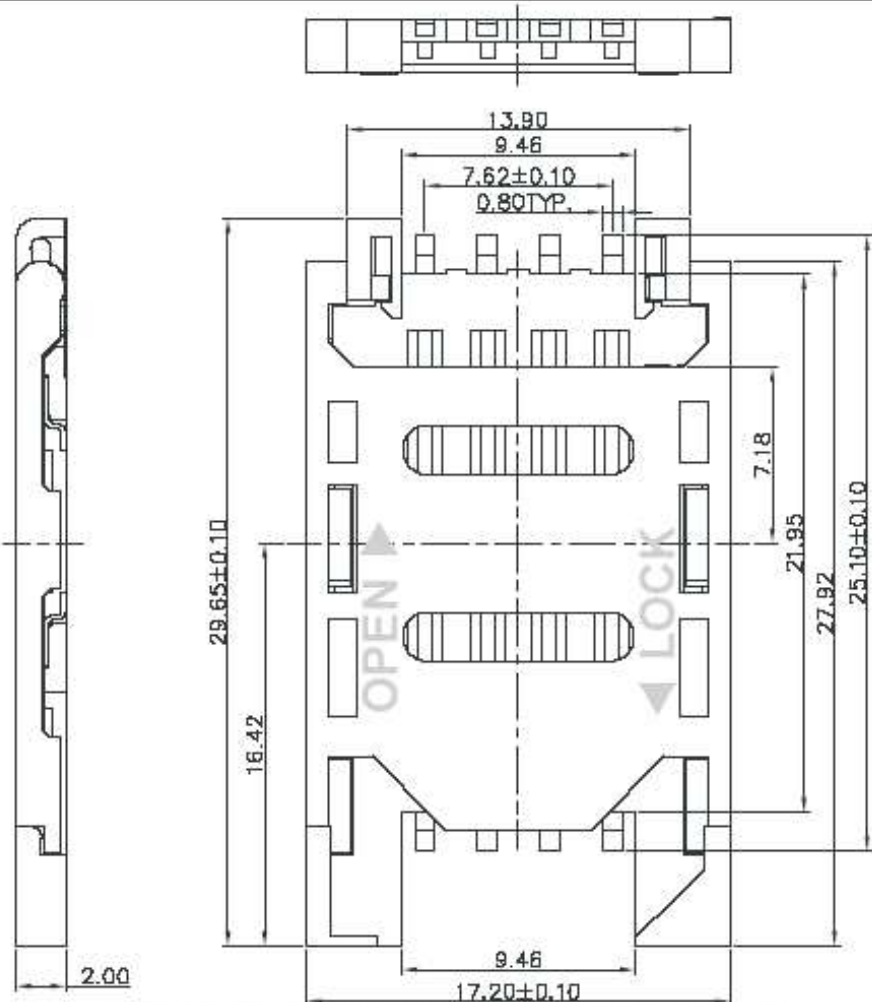
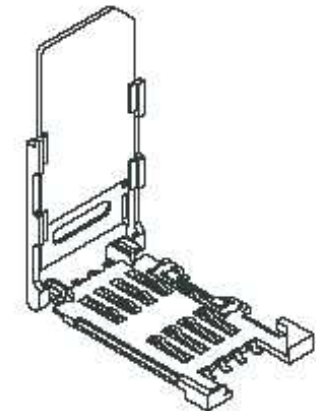


REV	ECN. NO.	APP	DATE
A	EDIÇÃO INICIAL		
B	NOVO CÓDIGO		



Unit: mm; Tolerances: ± 0.15 mm
Reference dimension for PCB layout



TECHNICAL CHARACTERISTICS

1. General Characteristics

Dimension: 29.65L x 17.20W x 2.00H mm
Weight: Approx. 0.75 g
Contact principle: Friction technology
Operating position: Shaft up / Down / Horizontal
Mounting System: SMT Type (post optional)
Durability: 10,000 cycles min.

2. Mechanical Characteristics

Insulation material: Thermoplastic, UL 94V-0
RoHS Directive 2002/95/EC Compliant

3. Electrical Characteristics

Number of contacts: 6, 8 pins (optional)
Contact resistance: 50 m Ω typical, 100 m Ω max.
Insulation resistance: >1000 M Ω / 500 VDC
Switch Type: Blade, Normally Open

4. Solderability

Wave: Not applicable
IR reflow: 260°C, 10 sec. Max.
Manual soldering: 360°C, 3 sec. Max.

5. Environmental Characteristics


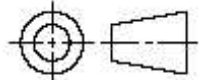
Operating temperature: -40°C ~ +85°C
Operating humidity: 10 % ~ 95 % RH
Storage temperature: -40°C ~ +85°C
Storage humidity: 10 % ~ 95 % RH

HOW TO ORDER:

ICA567[]CR

1

1- Nr. of Positions
06 or 08

 MATRIX TECNOLOGIA IND. E COM. LTDA.			
UNIT	SCALE	TITLE	DATE
mm		ICA567 X CR	MARCH 2010
TOLERANCE: ± 0.25			APP. BY
		MATL	CHK. BY
		DWG. NO.	DR. BY FELIPE