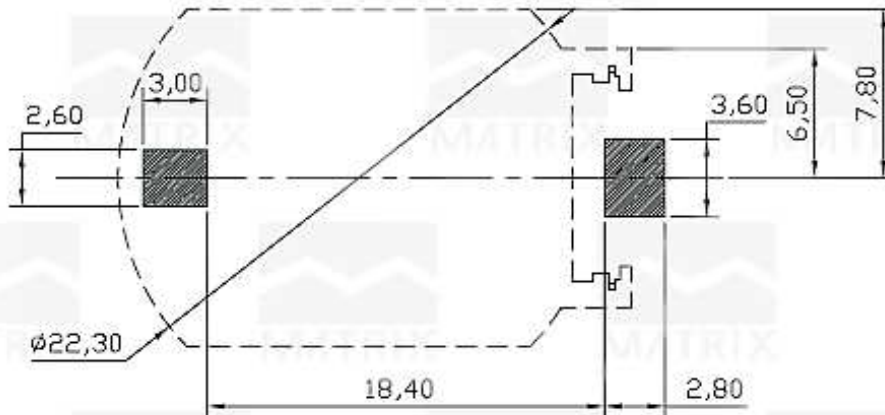
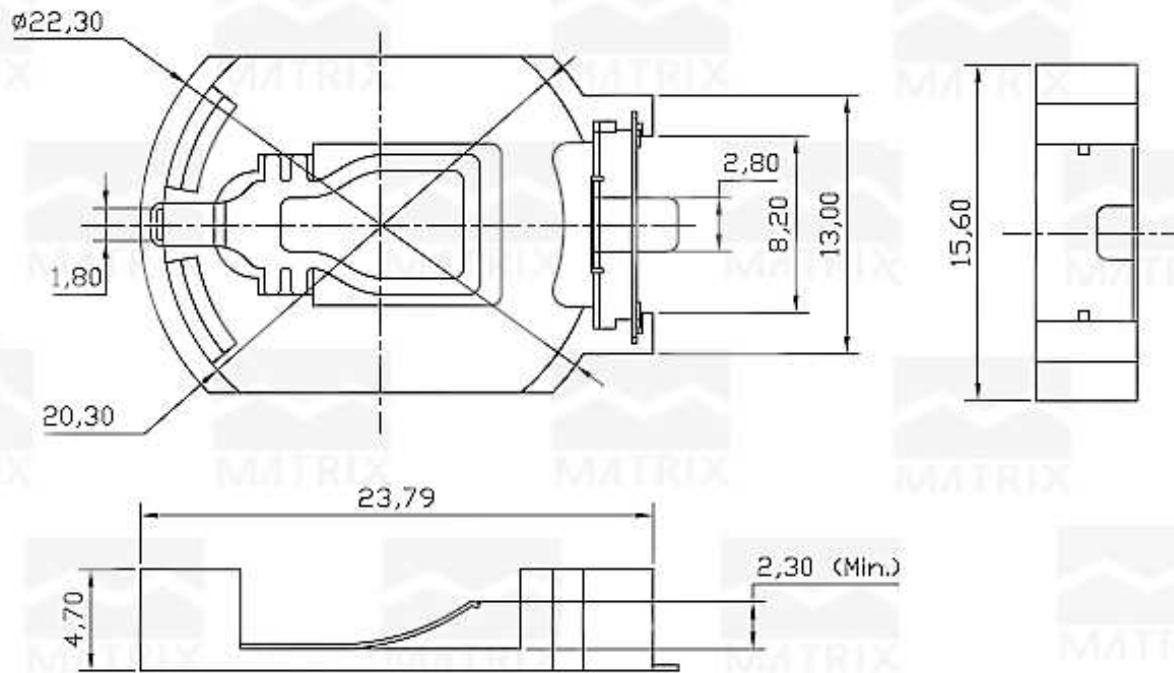


REV	ECN. NO.	APP	DATE
A	EDIÇÃO INICIAL		
B	NOVO CÓDIGO		



PC BOARD LAYOUT

## HOW TO ORDER: BTHM2032R



**MATRIX Tecnologia Ind. e Com. Ltda.**

UNIT	SCALE	TITLE	DATE
mm		BATTERY CONNECTOR CR-2032 SMD TYPE	MARCH 2010
TOLERANCE: $\pm 0.25$			APP. BY
		MATL	CHK. BY
		DWG. NO.	DR. BY <b>Felipe</b>