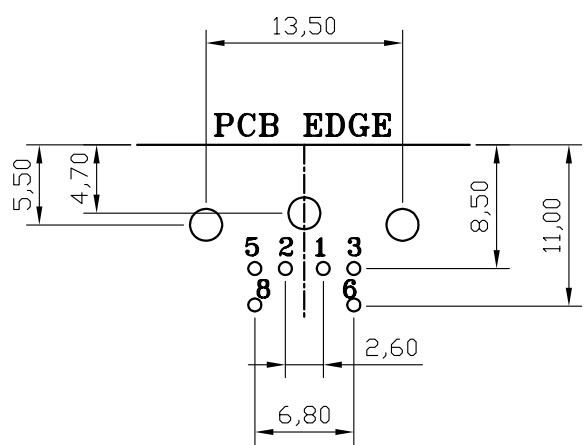
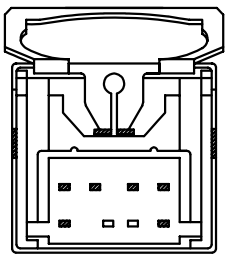
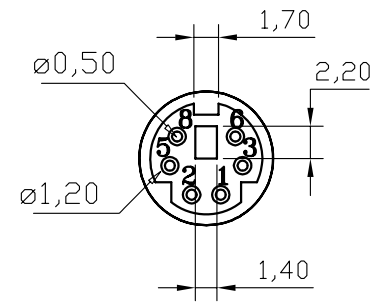
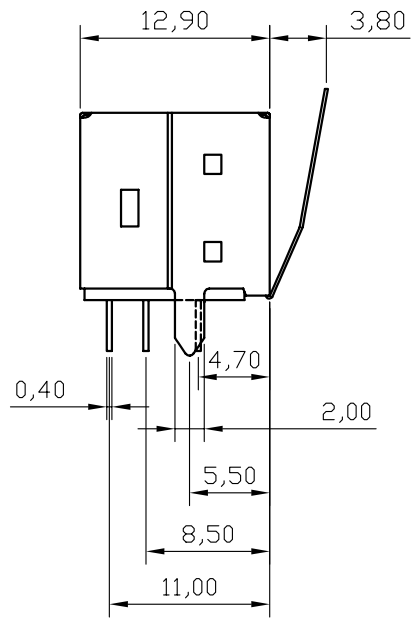
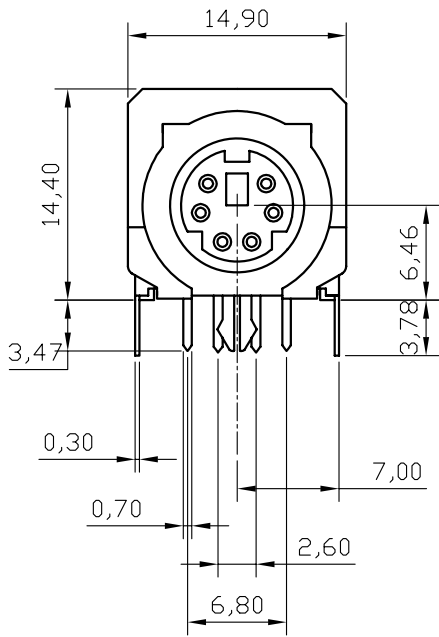



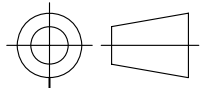
REV	ECN. NO.	APP	DATE
A	EDIÇÃO INICIAL		
B	NOVO CÓDIGO		



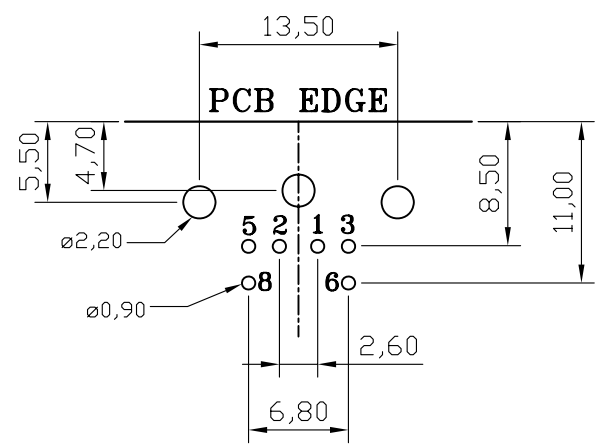
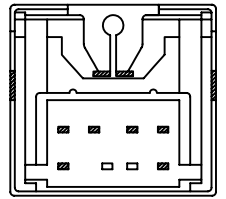
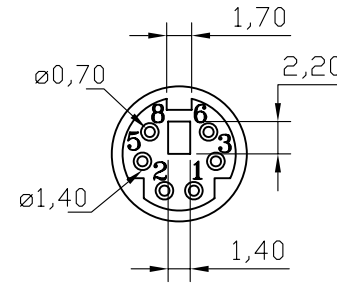
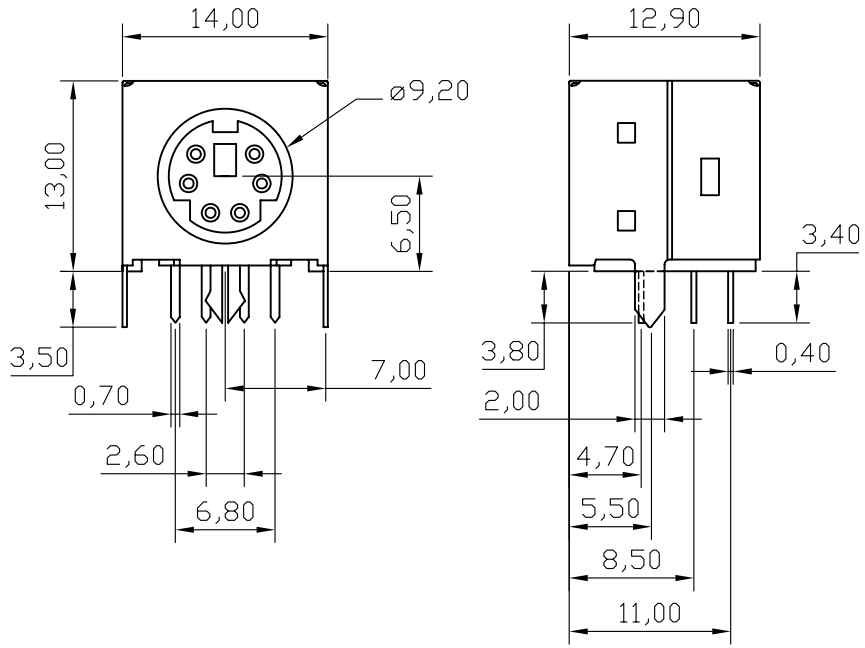
**PCB LAYOUT
(BOTTOM VIEW)**

**HOW TO ORDER:
MD90[][G][H]R
1 2 3**

- 1- Nr. of Contacts
03 to 10
- 2- Body Options
(P)- All Plastic
(G)- With Shield and
With Grounding Strip
(S)- With Shield and
Without Grounding Strip
- 3- Pin Option
(K)- Kink Pin
(H)- Hook Pin

 MATRIX TECNOLOGIA IND. E COM. LTDA.		TITLE	DATE MARCH 2010
		MINI DIN JACK HOOK PIN GROUDING STRIP	APP. BY
UNIT mm		SCALE 2:1	
TOLERANCE: ±0.25			
		MATL	CHK. BY
		DWG. NO.	DR. BY FELIPE


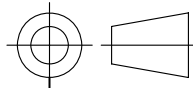
REV	ECN. NO.	APP	DATE
A	EDIÇÃO INICIAL		
B	NOVO CÓDIGO		



**PCB LAYOUT
(BOTTOM VIEW)**

**HOW TO ORDER:
MD90[][S][H]R
1 2 3**

- 1- Nr. of Contacts
03 to 10
- 2- Body Options
(P)- All Plastic
(G)- With Shield and
With Grounding Strip
(S)- With Shield and
Without Grounding Strip
- 3- Pin Option
(K)- Kink Pin
(H)- Hook Pin

 MATRIX TECNOLOGIA IND. E COM. LTDA.			
UNIT mm	SCALE 2:1	TITLE MINI DIN JACK HOOK PIN	DATE MARCH 2010
TOLERANCE: ±0.25			APP. BY
		MATL	CHK. BY
DWG. NO.			DR. BY FELIPE