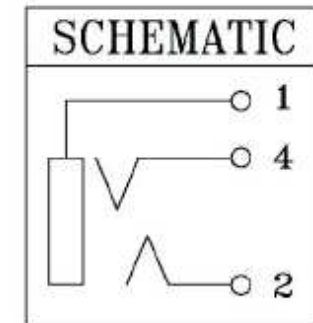
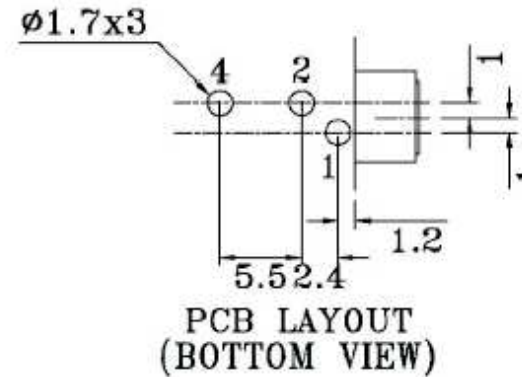
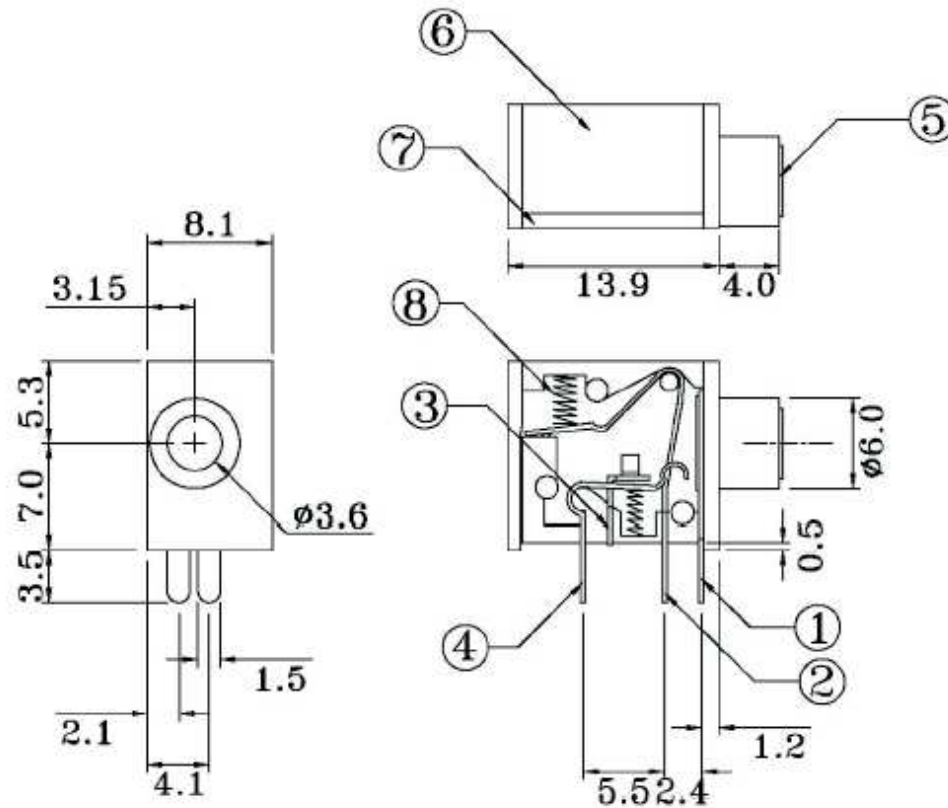


REV	ECN. NO.	APP	DATE
A	EDIÇÃO INICIAL		
B	NOVO CÓDIGO		



HOW TO ORDER:
EJ[03]N[P]R
1 2

- 1- N° of Contacts:
03, 05
2- Head Type:
(P)-W/Plastic Insulator
(M)-All Metal W/Thread
(A)-All Metal W/O Thread
(H)-Half Metal W/O Thread

NO.	NAME	MATERIAL	FINISH	Q'TY
1	EARTH TERMINAL	BRASS t=0.3	TIN PLATED	1
2	TIP SPRING	PHOSPHOR BRONZE t=0.3	TIN PLATED	1
3	RING SHUNT	PHOSPHOR BRONZE t=0.3	TIN PLATED	1
4	RING SPRING	PHOSPHOR BRONZE t=0.3	TIN PLATED	1
5	BUSHING	BRASS	NICKEL PLATED	1
6	HOUSING	PBT+FIBRE	BLACK	1
7	COVER	PBT+FIBRE	BLACK	1
8	SPRING	STAINLESS STEEL	NICKEL PLATED	2

		MATRIX TECNOLOGIA IND. E COM. LTDA.	
UNIT mm	SCALE	TITLE EARPHONE JACK 3,5mm 03 CONTACTS	DATE MARCH 2010
TOLERANCE: ±0.25		APP. BY	CHK. BY
		MATL	DR. BY Felipe
		DWG. NO.	

