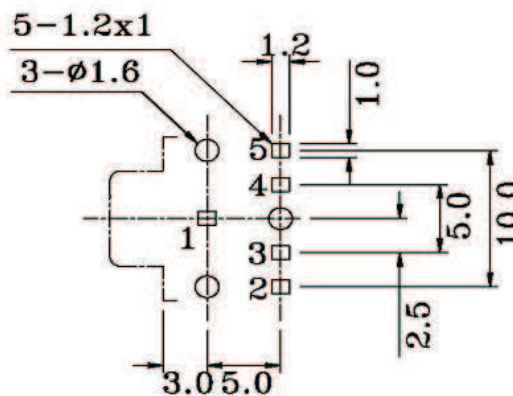
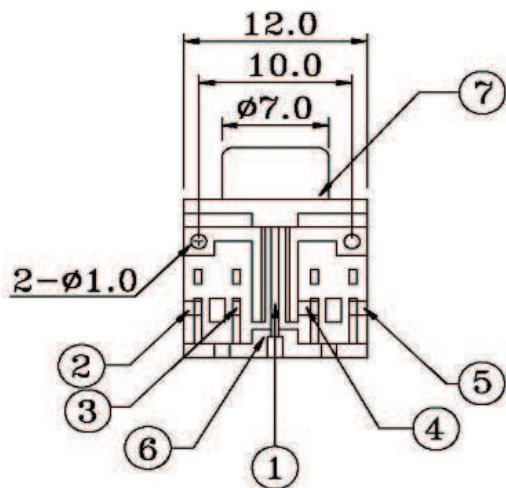


REV	ECN. NO.	APP	DATE
A	EDIÇÃO INICIAL		
B	Novo código		
C	Novo código		



PCB LAYOUT
(BOTTOM VIEW)

HOW TO ORDER

EJA[1][2][3][4]R

- 1- N°of Contacts:
03, 05
- 2- Body Material:
(P)-All Plastic
(M)-W/Metal Ring
(T)-W/Thread Metal Ring
- 3- Body Option:
(Y)-W/Bracket
(N)-W/□ Bracket
(T)-W/Transparent Cover
- 4- Color:
(B) - Black
(L) - Blue

NO.	NAME	MATERIAL	FINISH
1	GROUND TERM.	C.R.S. 0.5THK	TIN PLATED
2	RING SPRING	PBS 0.3THK	TIN PLATED
3	TIP SPRING	PBS 0.3THK	TIN PLATED
4	RING BREAK	BRASS	TIN PLATED
5	TIP BREAK	BRASS	TIN PLATED
6	PLUG BUSHING	BRASS	NICKEL PLATED
7	HOUSING	P.B.T.	BLACK
8	BACK COVER	P.B.T.	BLACK

UNIT		SCALE	TITLE	DATE
mm			EARPHONE JACK 3,5mm A TYPE	NOVEMBER 2010
TOLERANCE: ±0.25				APP. BY
			MATL	CHK. BY
			DWG. NO.	DR. BY GABRIEL