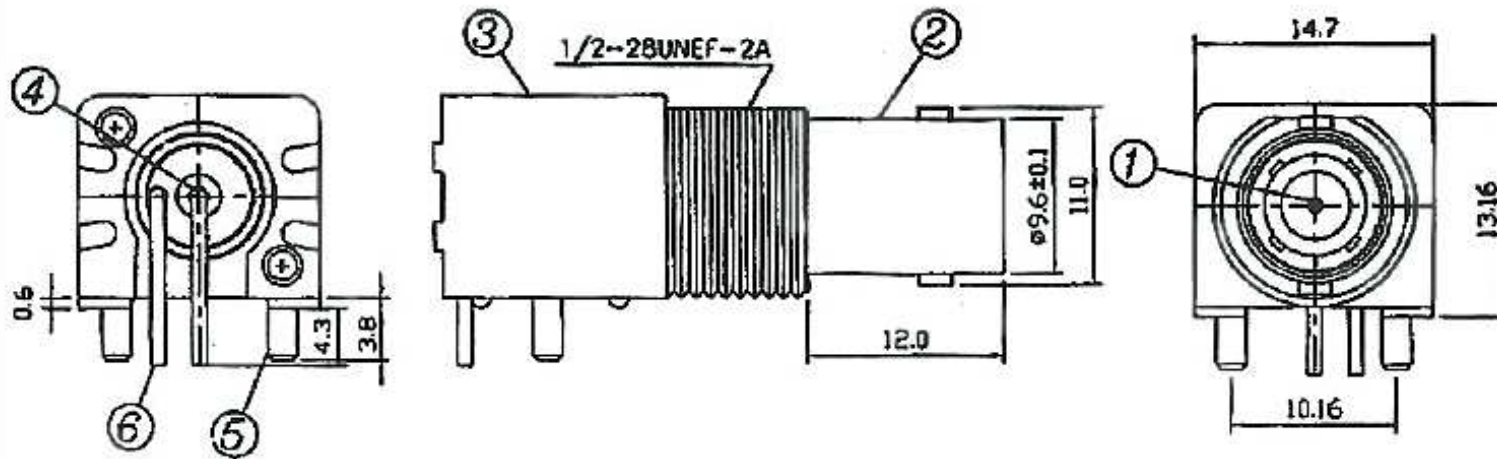
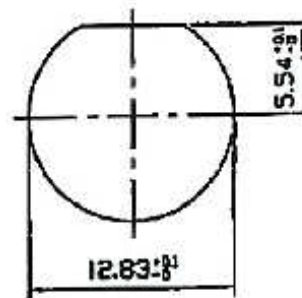
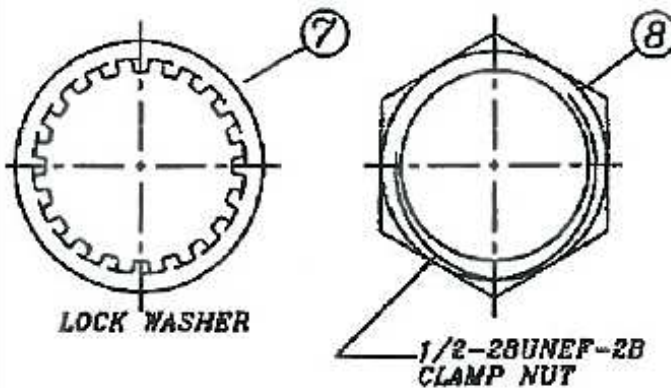


REV	ECN. NO.	APP	DATE
A	EDIÇÃO INICIAL		
B	NOVO CÓDIGO		
C	INCLUIDO OPÇÃO 4		



MATERIAL & FINISH

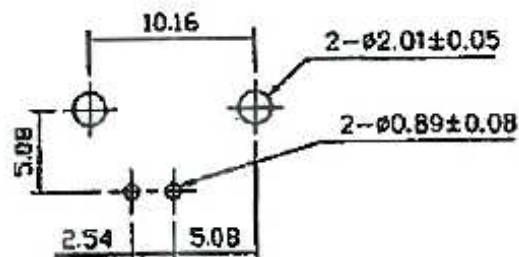
- ① CENTER CONTACT : BRONZE, GOLD PLATING
- ② BODY : ZINC ALLOY NICKEL PLATING
- ③ HOUSING : PBT (94 V-0)
- ④ INSULATOR : PE-606
- ⑤ MOUNTING POST : BRONZE, TIN PLATING
- ⑥ SOLDER TAIL : COPPER WIRE, TIN PLATING
- ⑦ WASHER : STEEL, NICKEL PLATING
- ⑧ NUT : BRASS, NICKEL PLATING



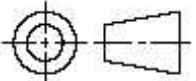
RECOMMENDED MOUNTING HOLE
MAXIMUM PANEL THICKNESS: 5.5MM

HOW TO ORDER: BNC[][R][][PA]R 1 2 3 4

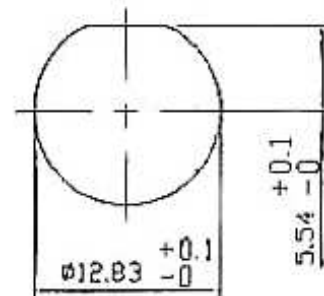
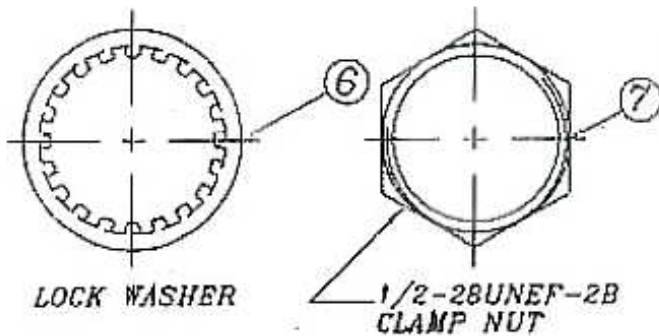
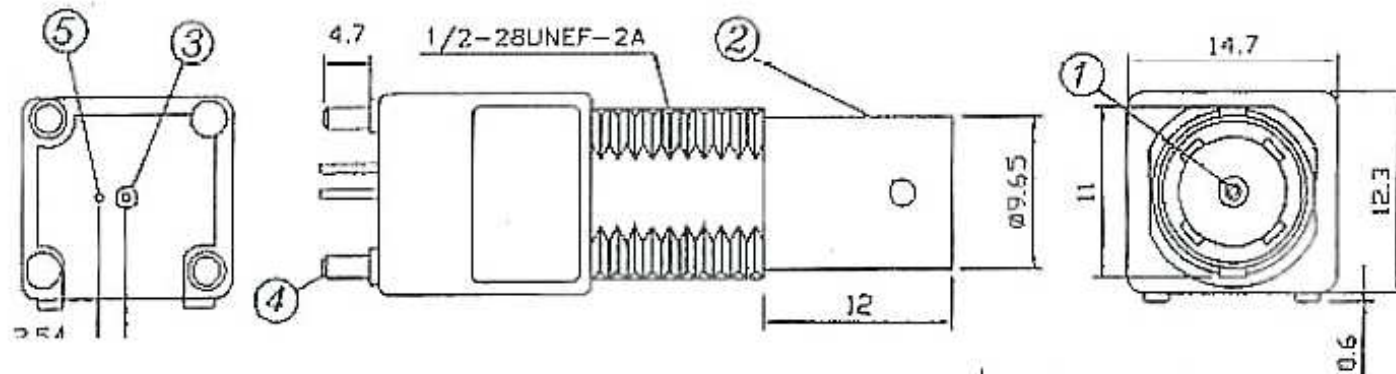
1- Impedance (50)- 50Ω (75)- 75Ω	3- Body Height 12,50mm 12,30mm 12,90mm 13,16mm 15,80mm	4- Option (PA-)With Nut and Lock Washer () Without Nut and Lock Washer
2- Body Option (S) 180° (R) 90°		



RECOMMENDED PC BOARD LAYOUT
WITHOUT MOUNTING POSTS

MATRIX		MATRIX TECNOLOGIA IND. E COM. LTDA.	
UNIT mm	SCALE	TITLE BNC CONNECTOR 90°	DATE MARCH 2010
TOLERANCE: ± 0.25			APP. BY
		MATL	CHK. BY
		DWG. NO.	DR. BY Felipe

REV	ECN. NO.	APP	DATE
A	EDIÇÃO INICIAL		
B	NOVO CÓDIGO		
C	INCLUIDO OPÇÃO 4		



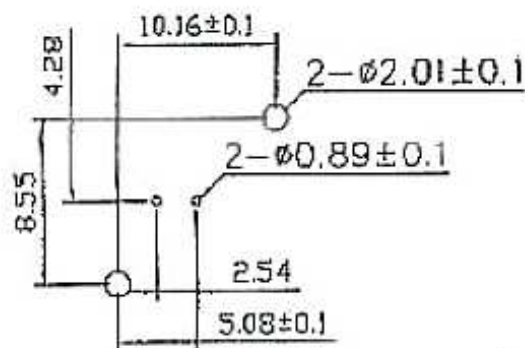
RECOMMENDED MOUNTING HOLE
MAXIMUM PANEL THICKNESS: 5.5MM

MATERIAL & FINISH

- ① CENTER CONTACT : BRONZE, GOLD PLATING
- ② BODY : ZINC ALLOY NICKEL PLATING
- ③ HOUSING : PBT (94 V-0)
- ④ INSULATOR : PE-606
- ⑤ MOUNTING POST : BRONZE, TIN PLATING
- ⑥ SOLDER TAIL : COPPER WIRE, TIN PLATING
- ⑦ WASHER : STEEL, NICKEL PLATING
- ⑧ NUT : BRASS, NICKEL PLATING

HOW TO ORDER:
BNC[][S][][PA]R
1 2 3 4

- | | | |
|--|---|---|
| 1- Impedance
(50)- 50Ω
(75)- 75Ω | 3- Body Height
12,50mm
12,30mm
12,90mm
13,16mm
15,80mm | 4- Option
(PA-)With Nut and
Lock Washer
() Without Nut and
Lock Washer |
| 2- Body Option
(S) 180°
(R) 90° | | |



RECOMMENDED PC BOARD LAYOUT
WITHOUT MOUNTING POSTS

UNIT		SCALE	TITLE	DATE
mm			BNC CONNECTOR 180°	MARCH 2010
TOLERANCE: ±0.25			APP. BY	
		MATL	CHK. BY	
		DWG. NO.	DR. BY Felipe	



MATRIX TECNOLOGIA IND. E COM. LTDA.