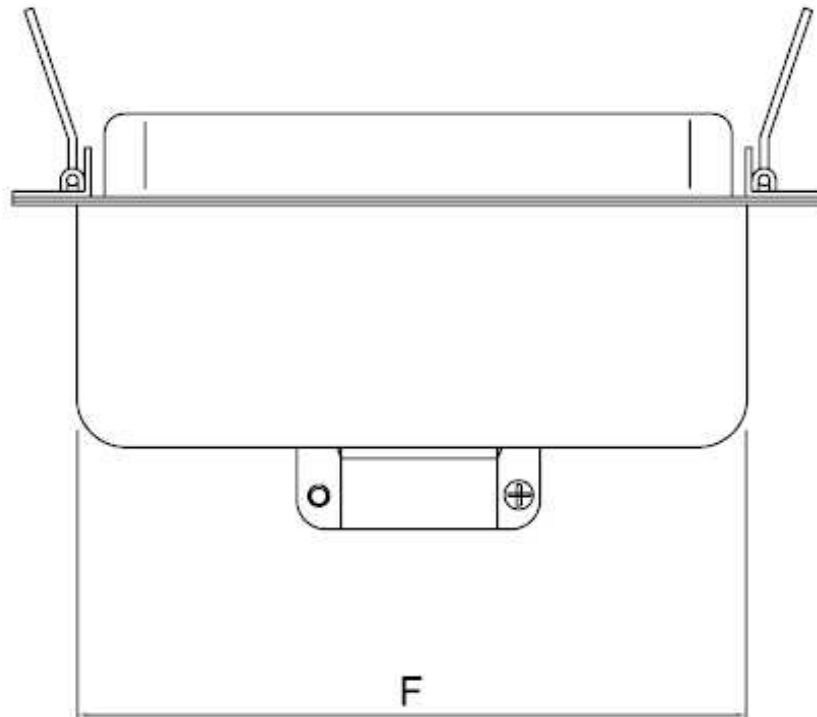
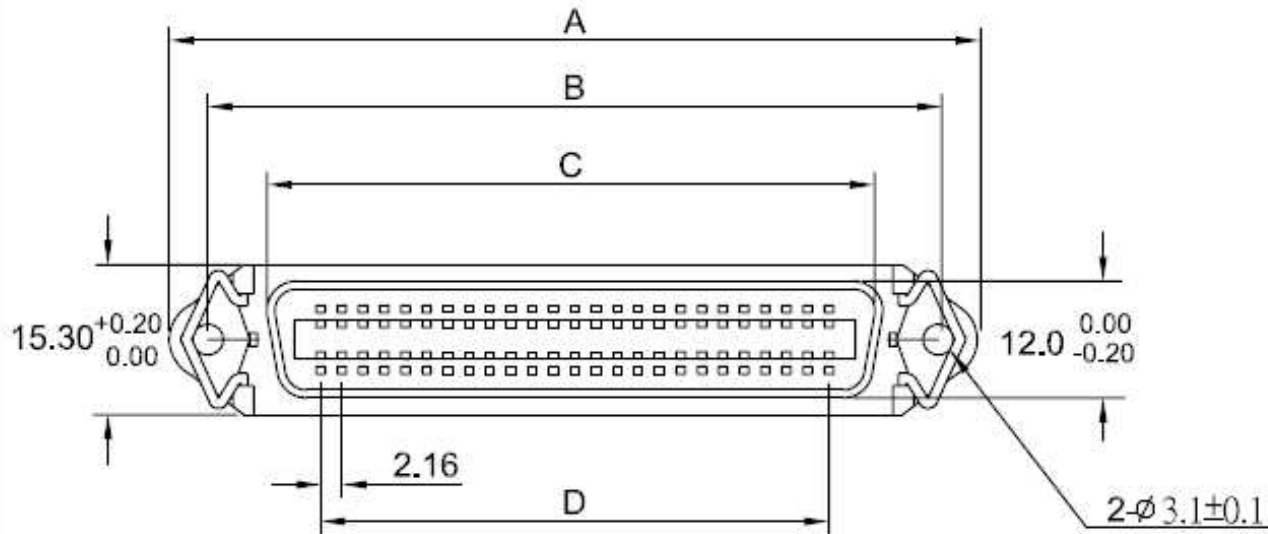


REV	ECN. NO.	APP	DATE
A	EDIÇÃO INICIAL		
B	NOVO CÓDIGO		



Specification:

Current rating: 1 A Max.

Dielectric withstanding

voltage: 750 V(ac) for 1 min.

Contact resistance: 30 mΩ Max.

Insulation resistance: 1000 MΩ Min.

Total mating force: 9.0 Kgf Max.

Total unmating force: 1.0 Kgf Min.

Temperature range: -55°C~85°C

NO.	A±0.2	B±0.2	C±0.2	F±0.2
14	43.92	35.99	25.2	29.0
24	54.71	46.79	36.0	39.8
36	67.69	59.74	48.9	53.0
50	82.78	74.85	64.0	68.1

HOW TO ORDER:
CEN[][F]SR

1 2


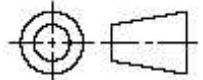
1- N° of Contacts:

14, 24, 36, 50

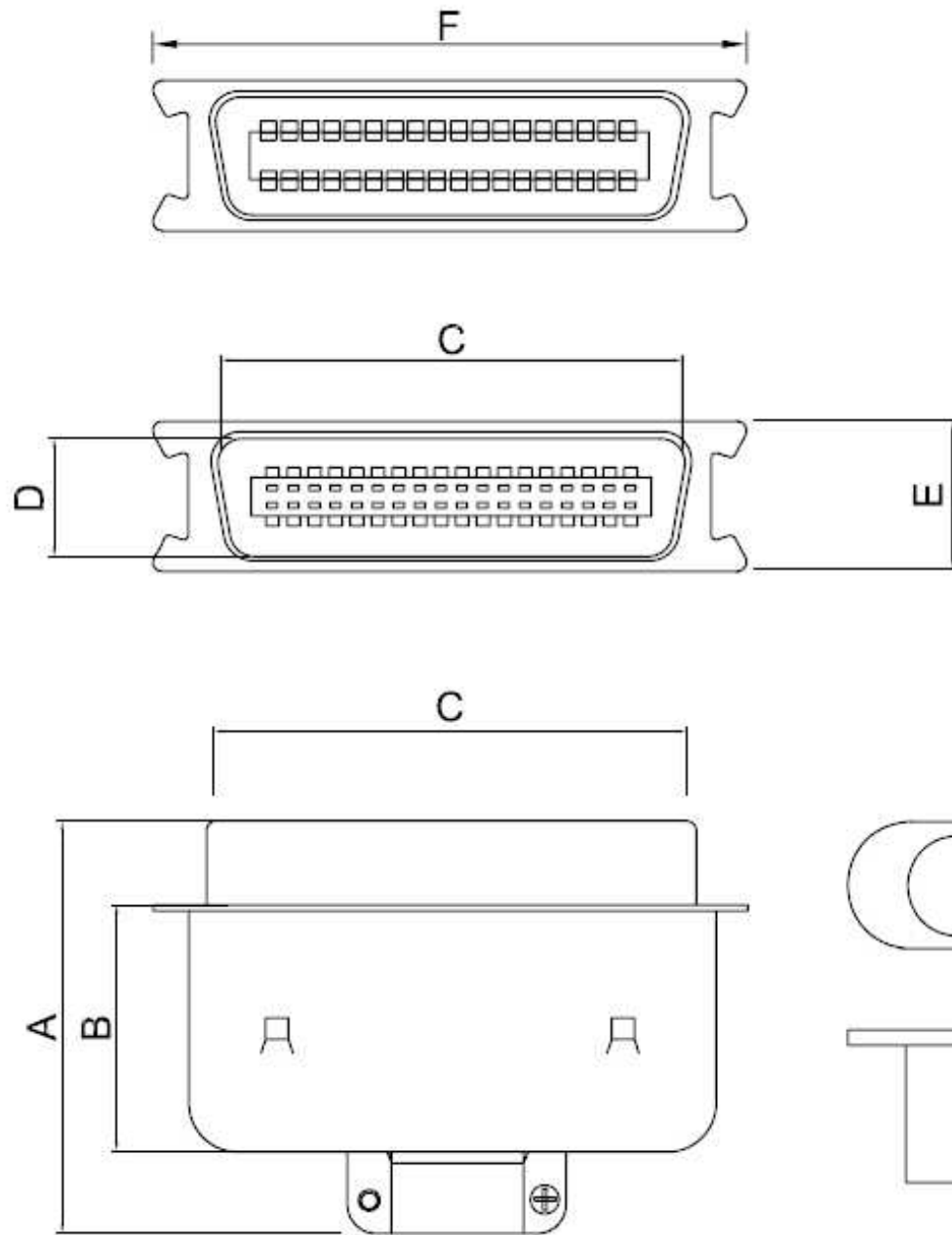
2- Contact Type:

(M)-Male

(F)-Female

 MATRIX		MATRIX TECNOLOGIA IND. E COM. LTDA.	
UNIT mm	SCALE	TITLE CENTRONIC SOLDER TYPE FEMALE	DATE JANUARY 2010
TOLERANCE: ±0.25			APP. BY
		MATL	CHK. BY
DWG. NO.			DR. BY Felipe

REV	ECN. NO.	APP	DATE
A	EDIÇÃO INICIAL		
B	NOVO CÓDIGO		



Specification:

Current rating: 1 A Max.

Dielectric withstanding

voltage: 750 V(ac) for 1 min.

Contact resistance: 30 mΩ Max.

Insulation resistance: 1000 MΩ Min.

Total mating force: 9.0 Kgf Max.

Total unmating force: 5.0 Kgf Min.

Temperature range: -55°C~85°C

NO.	A±0.2	B±0.2	C±0.2	D±0.13	E±0.2	F±0.2
14	41.4	21.2	25.5	12.25	15.3	38.0
24	41.0	21.2	36.4	12.25	15.3	48.8
36	40.5	22.6	49.3	12.25	15.7	61.70
50	45.0	24.8	64.4	12.25	15.3	77.0

HOW TO ORDER:

CEN[][M]SR

1 2

1- N° of Contacts:

14, 24, 36, 50

2- Contact Type:

(M)-Male

(F)-Female

		MATRIX TECNOLOGIA IND. E COM. LTDA.	
UNIT mm	SCALE	TITLE CENTRONIC SOLDER TYPE MALE	DATE JANUARY 2010
TOLERANCE: ±0.25			APP. BY
		MATL	CHK. BY
		DWG. NO.	DR. BY Felipe