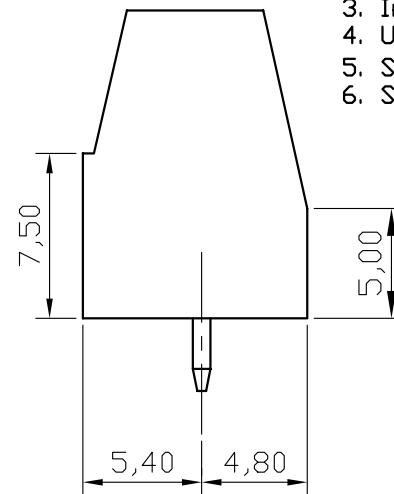
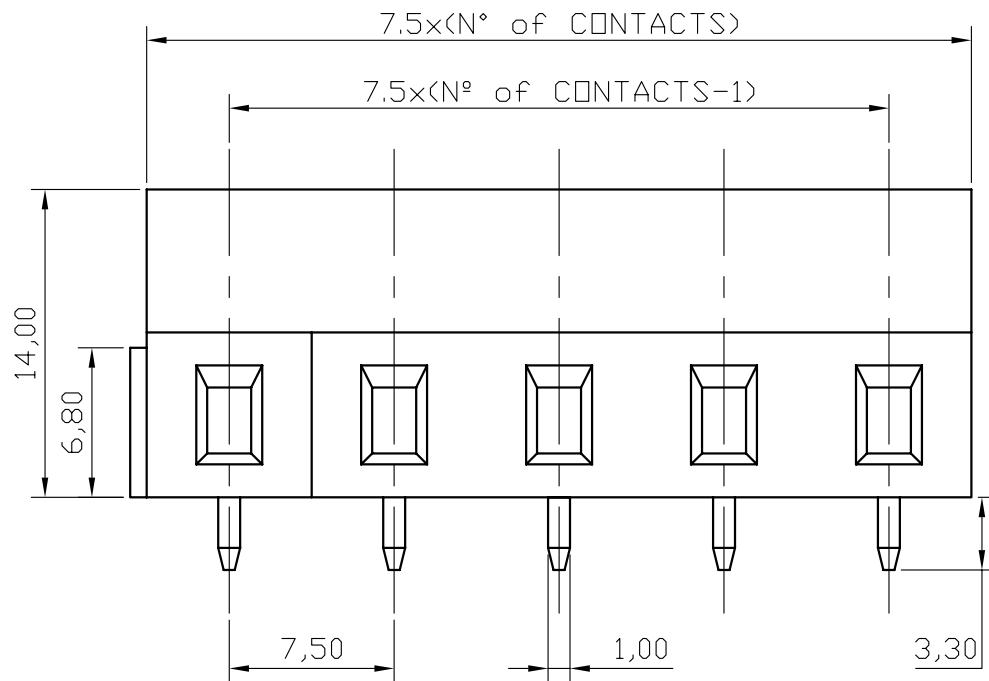
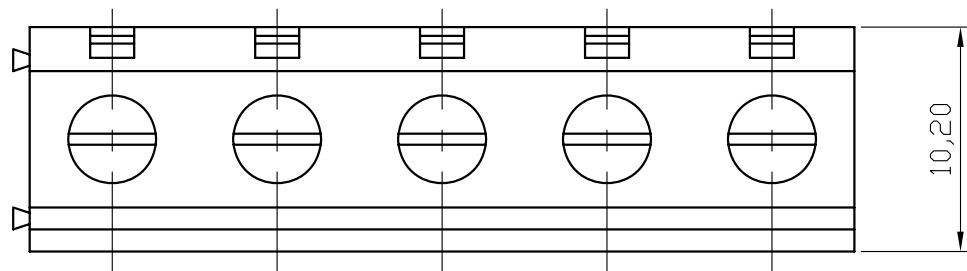


REV	ECN. NO.	APP	DATE
A	EDIÇÃO INICIAL		
B	NOVO CÓDIGO		



NOTES:

1. Rating: 300V 10A (IEC250V 10A) Pitch: 7.5mm
2. Insulation Withstanding Voltage: AC 2000V/Min.
3. Insulation Resistance: 500MΩ or more at DC500V
4. Using Temperature Range: -40°C to 105°C
5. Suitable Electric Wire: 24~12AWG (IEC 0.5~2.5mm<sup>2</sup>)
6. Screw Torque Value: 4Kg-cm (Max.)



**HOW TO ORDER:**

**5523[ ]C7.5R**

**1**

1- Nr. of Ways



**MATRIX Tecnologia Ind. e Com. Ltda.**

0.0±	SCALE	TITLE 7.5mm TERMINAL BLOCK 180° H=14.0mm	DATE	JANUARY 2010
0.00±			APP. BY	
0.000±			UNIT	mm
	MATL		CHK. BY	
	DWG. NO.		DR. BY	FELIPE