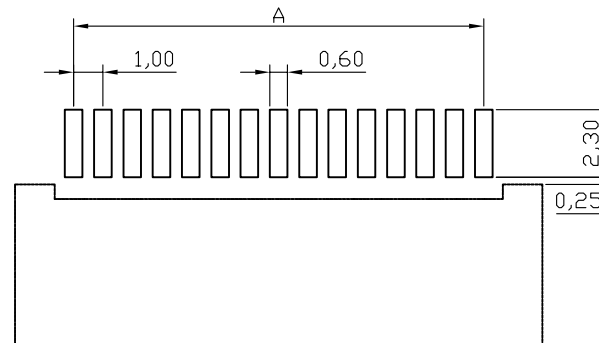
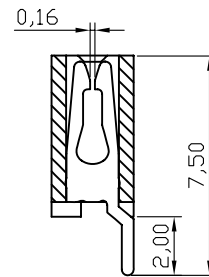
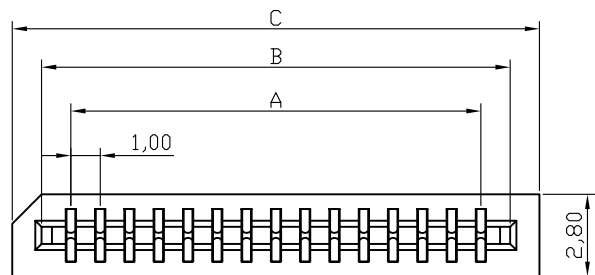
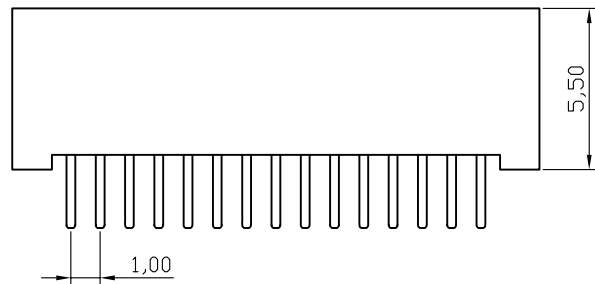


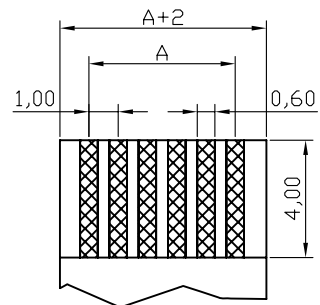
REV	ECN. NO.	APP	DATE
A	EDIÇÃO INICIAL		
B	NOVO CÓDIGO		



P.C.B. LAYOUT

DIMENSION TABLE

Circuits	Dimension			Circuits	Dimension		
	A	B	C		A	B	C
2	1.00	3.1	5	20	19.00	21.1	23
3	2.00	4.1	6	21	20.00	22.1	24
4	3.00	5.1	7	22	21.00	23.1	25
5	4.00	6.1	8	23	22.00	24.1	26
6	5.00	7.1	9	24	23.00	25.1	27
7	6.00	8.1	10	25	24.00	26.1	28
8	7.00	9.1	11	26	25.00	27.1	29
9	8.00	10.1	12	27	26.00	28.1	30
10	9.00	11.1	13	28	27.00	29.1	31
11	10.00	12.1	14	29	28.00	30.1	32
12	11.00	13.1	15	30	29.00	31.1	33
13	12.00	14.1	16	31	30.00	32.1	34
14	13.00	15.1	17	32	31.00	33.1	35
15	14.00	16.1	18	33	32.00	34.1	36
16	15.00	17.1	19	34	33.00	35.1	37
17	16.00	18.1	20	35	34.00	36.1	38
18	17.00	19.1	21	36	35.00	37.1	39
19	18.00	20.1	22				



FPC/FFCT=0,30


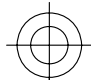
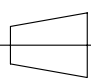
ELECTRICAL

CURRENT RATING: 0.5 AMP.
 DIELECTRIC WITHSTANDING VOLTAGE: 500 VAC MIN.
 INSULATION RESISTANCE: 1000 MEGAOHMS MIN.
 CONTACT RESISTANCE: 30 MILLIOHMS MAX.
 TEMPERATURE RANGE: -40°C TO 105°C.

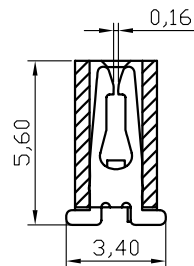
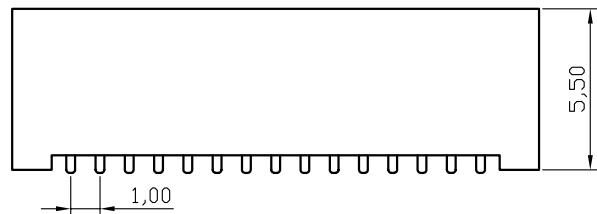
HOW TO ORDER:
 NZIF[][R]1,0DR

1 2

- 1- N° of Contacts:
2-36
- 2- Mounting Type:
(S)-Top Entry 180°
(R)-Side Entry 90°

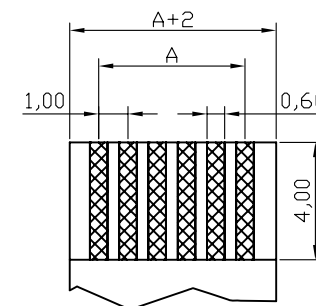
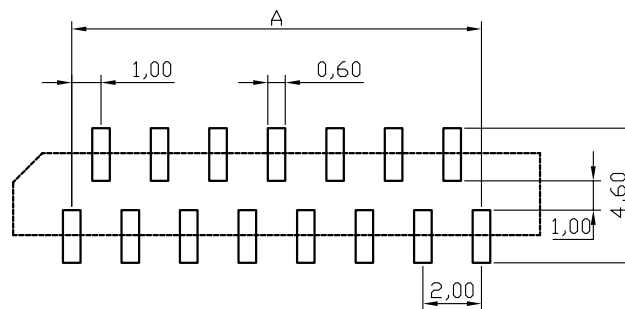
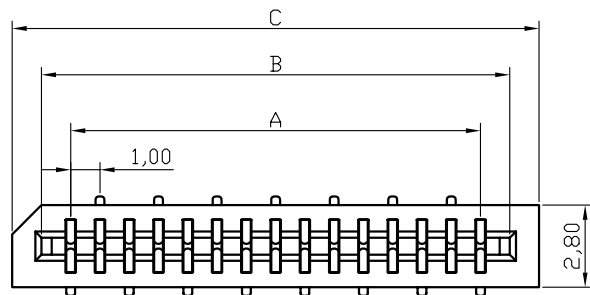
 MATRIX TECNOLOGIA IND. E COM. LTDA.			
UNIT mm	SCALE	TITLE NON-ZIF FFC-FPC SMT 1,00mm	DATE JANUARY 2010
TOLERANCE: ±0.25			APP. BY
 		MATL	CHK. BY
		DWG. NO.	DR. BY FELIPE

REV	ECN. NO.	APP	DATE
A	EDIÇÃO INICIAL		
B	NOVO CÓDIGO		



ELECTRICAL

CURRENT RATING: 0.5 AMP.
 DIELECTRIC WITHSTANDING VOLTAGE: 500 VAC MIN.
 INSULATION RESISTANCE: 1000 MEGAOHMS MIN.
 CONTACT RESISTANCE: 30 MILLIOHMS MAX.
 TEMPERATURE RANGE: -40°C TO 105°C.



FPC/FFCT=0,30

P.C.B. LAYOUT

DIMENSION TABLE

Circuits	Dimension			Circuits	Dimension		
	A	B	C		A	B	C
2	1.00	3.1	5	20	19.00	21.1	23
3	2.00	4.1	6	21	20.00	22.1	24
4	3.00	5.1	7	22	21.00	23.1	25
5	4.00	6.1	8	23	22.00	24.1	26
6	5.00	7.1	9	24	23.00	25.1	27
7	6.00	8.1	10	25	24.00	26.1	28
8	7.00	9.1	11	26	25.00	27.1	29
9	8.00	10.1	12	27	26.00	28.1	30
10	9.00	11.1	13	28	27.00	29.1	31
11	10.00	12.1	14	29	28.00	30.1	32
12	11.00	13.1	15	30	29.00	31.1	33
13	12.00	14.1	16	31	30.00	32.1	34
14	13.00	15.1	17	32	31.00	33.1	35
15	14.00	16.1	18	33	32.00	34.1	36
16	15.00	17.1	19	34	33.00	35.1	37
17	16.00	18.1	20	35	34.00	36.1	38
18	17.00	19.1	21	36	35.00	37.1	39
19	18.00	20.1	22				

HOW TO ORDER:

NZIF[][S]1,0DR

1 2

- 1- N° of Contacts:
2~36
- 2- Mounting Type:
(S)-Top Entry 180°
(R)-Side Entry 90°



MATRIX TECNOLOGIA IND. E COM. LTDA.

UNIT mm	SCALE	TITLE NON-ZIF FFC-FPC SMT 1,00mm	DATE JANUARY 2010
TOLERANCE: ±0.25			APP. BY
		MATL	CHK. BY
		DWG. NO.	DR. BY FELIPE