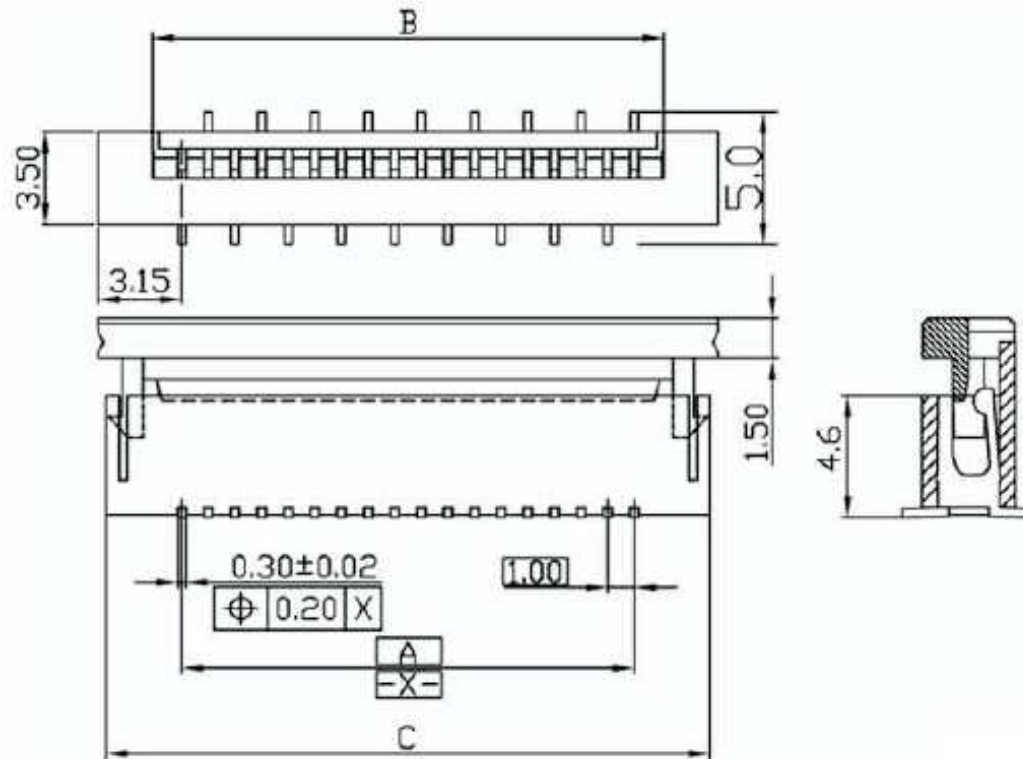


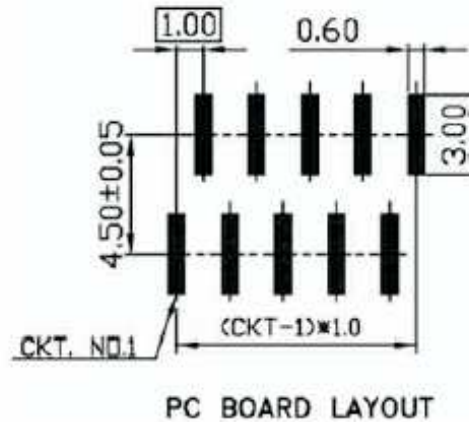
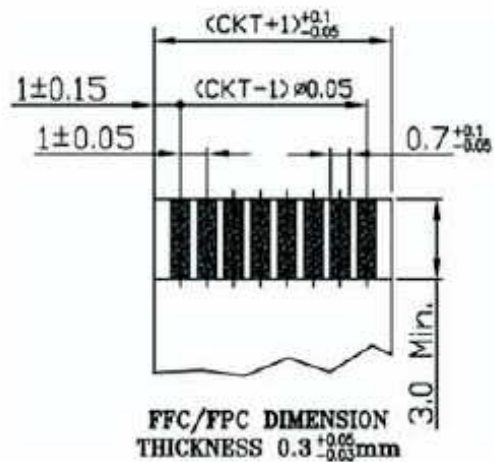
30	29.00	31.20	35.00
29	28.00	30.20	34.00
28	27.00	29.20	33.00
27	26.00	28.20	32.00
26	25.00	27.20	31.00
25	24.00	26.20	30.00
24	23.00	25.20	29.00
23	22.00	24.20	28.00
22	21.00	23.20	27.00
21	20.00	22.20	26.00
20	19.00	21.20	25.00
19	18.00	20.20	24.00
18	17.00	19.20	23.00
17	16.00	18.20	22.00
16	15.00	17.20	21.00
15	14.00	16.20	20.00
14	13.00	15.20	19.00
13	12.00	14.20	18.00
12	11.00	13.20	17.00
11	10.00	12.20	16.00
10	9.00	11.20	15.00
09	8.00	10.20	14.00
08	7.00	9.20	13.00
07	6.00	8.20	12.00
06	5.00	7.20	11.00
05	4.00	6.20	10.00
04	3.00	5.20	9.00
03	2.00	4.20	8.00
CKT	DIM A	DIM B	DIM C



REV	ECN. NO.	APP	DATE
A	EDIÇÃO INICIAL		
B	NOVO CÓDIGO		

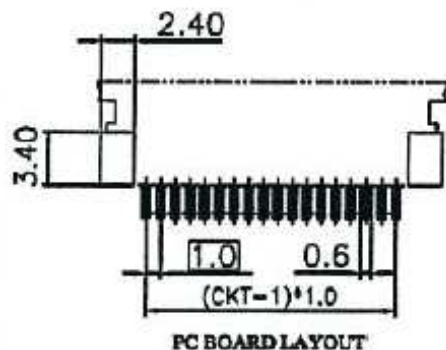
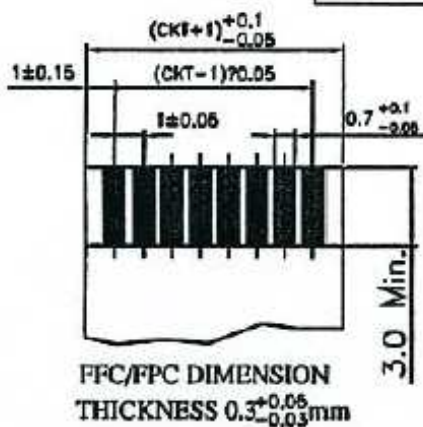
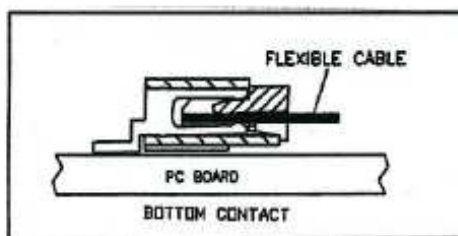
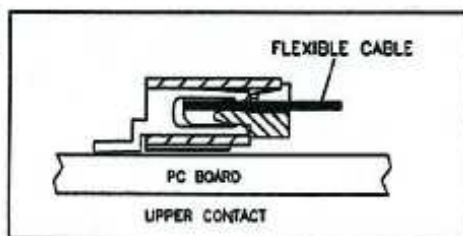
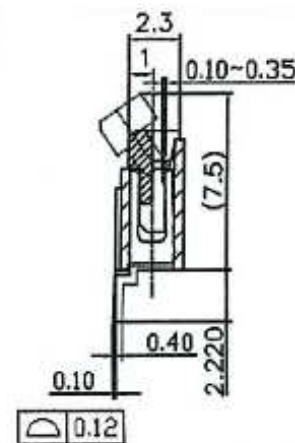
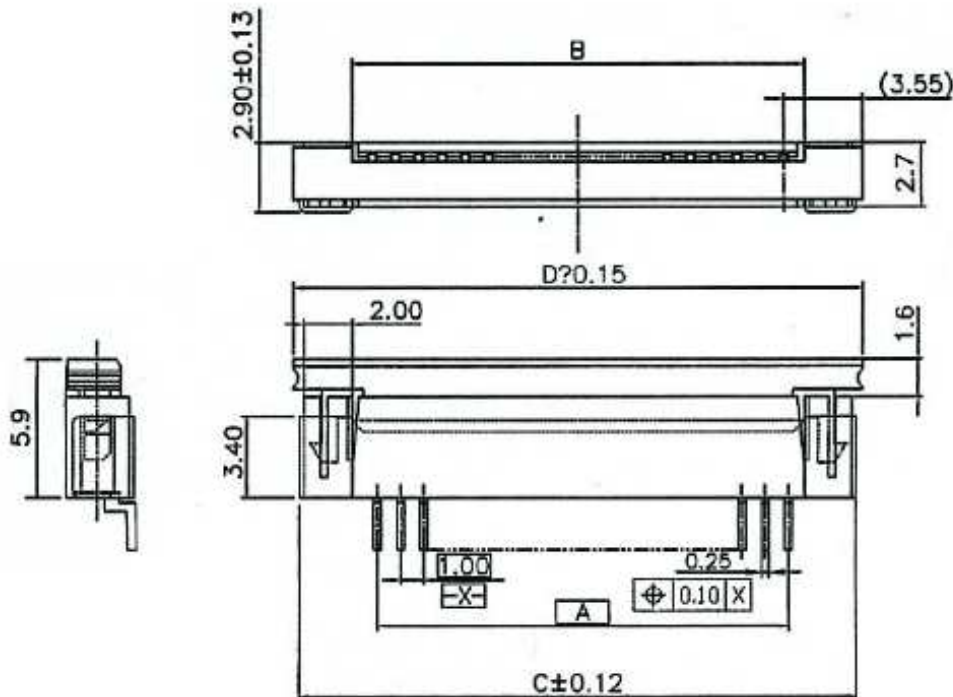
## HOW TO ORDER: ZIF[V][ ]1,0DR 1 2

- 1-Mounting Type:  
 (UR)-Upper Contact  
 (BR)-Bottom Contact  
 (V)-Vertical Type Normal Layout  
 (C)-Vertical Type Reverse Layout  
 (P)-Vertical Type Parallel Layout
- 2- N° of Ways:  
 See Table



<b>MATRIX TECNOLOGIA IND. E COM. LTDA.</b>			
UNIT	SCALE	TITLE	DATE
mm		ZIF SMT FFC/FPC 1,0mm VERTICAL NORMAL LAYOUT	JANUARY 2010
TOLERANCE: ±0.25			APP. BY
		MATL	CHK. BY
DWG. NO.			DR. BY Felipe

32	31.00	33.20	37.50	38.10
31	30.00	32.20	36.50	37.10
30	29.00	31.20	35.50	36.10
29	28.00	30.20	34.50	35.10
28	27.00	29.20	33.50	34.10
27	26.00	28.20	32.50	33.10
26	25.00	27.20	31.50	32.10
25	24.00	26.20	30.50	31.10
24	23.00	25.20	29.50	30.10
23	22.00	24.20	28.50	29.10
22	21.00	23.20	27.50	28.10
21	20.00	22.20	26.50	27.10
20	19.00	21.20	25.50	26.10
19	18.00	20.20	24.50	25.10
18	17.00	19.20	23.50	24.10
17	16.00	18.20	22.50	23.10
16	15.00	17.20	21.50	22.10
15	14.00	16.20	20.50	21.10
14	13.00	15.20	19.50	20.10
13	12.00	14.20	18.50	19.10
12	11.00	13.20	17.50	18.10
11	10.00	12.20	16.50	17.10
10	9.00	11.20	15.50	16.10
09	8.00	10.20	14.50	15.10
08	7.00	9.20	13.50	14.10
07	6.00	8.20	12.50	13.10
06	5.00	7.20	11.50	12.10
05	4.00	6.20	10.50	11.10
04	3.00	5.20	9.50	10.10
03	2.00	4.20	8.50	9.10
CKT	DIM. A	DIM. B	DIM. C	DIM. D



REV	ECN. NO.	APP	DATE
A	EDIÇÃO INICIAL		
B	NOVO CÓDIGO		

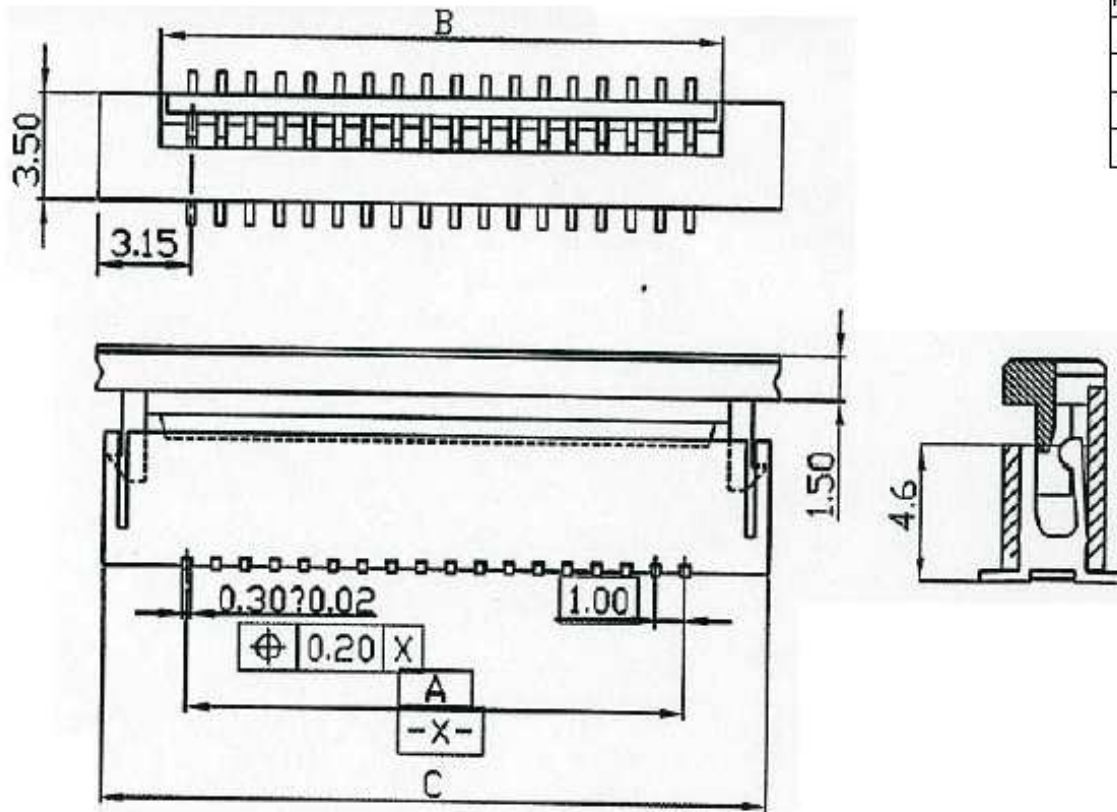
## HOW TO ORDER:

ZIF[ ] [ ] 1,0DR  
1 2

- 1-Mounting Type:  
 (UR)-Upper Contact  
 (BR)-Bottom Contact  
 (V)-Vertical Type Normal Layout  
 (C)-Vertical Type Reverse Layout  
 (P)-Vertical Type Parallel Layout
- 2- N° of Ways:  
 See Table

MATRIX TECNOLOGIA IND. E COM. LTDA.			
UNIT	SCALE	TITLE	DATE
mm		ZIF SMT FFC/FPC 1,0mm UPPER/ BOTTOM CONTACT	JANUARY 2010
TOLERANCE: ±0.25			APP. BY
		MATL	CHK. BY
		DWG. NO.	DR. BY Felipe

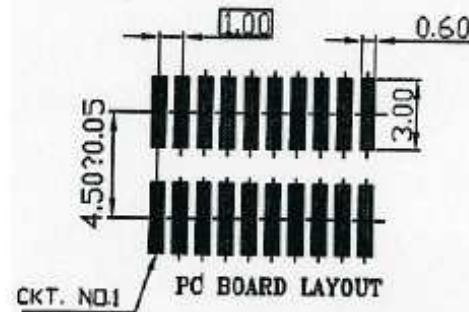
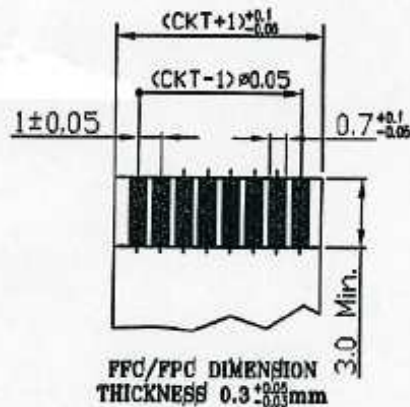
30	29.00	31.20	35.00
29	28.00	30.20	34.00
28	27.00	29.20	33.00
27	26.00	28.20	32.00
26	25.00	27.20	31.00
25	24.00	26.20	30.00
24	23.00	25.20	29.00
23	22.00	24.20	28.00
22	21.00	23.20	27.00
21	20.00	22.20	26.00
20	19.00	21.20	25.00
19	18.00	20.20	24.00
18	17.00	19.20	23.00
17	16.00	18.20	22.00
16	15.00	17.20	21.00
15	14.00	16.20	20.00
14	13.00	15.20	19.00
13	12.00	14.20	18.00
12	11.00	13.20	17.00
11	10.00	12.20	16.00
10	9.00	11.20	15.00
09	8.00	10.20	14.00
08	7.00	9.20	13.00
07	6.00	8.20	12.00
06	5.00	7.20	11.00
05	4.00	6.20	10.00
04	3.00	5.20	9.00
03	2.00	4.20	8.00
CKT	DIM A	DIM B	DIM C



REV	ECN. NO.	APP	DATE
A	EDIÇÃO INICIAL		
B	NOVO CÓDIGO		

**HOW TO ORDER:**  
**ZIF[P][ ]1,0DR**  
**1 2**

1-Mounting Type:  
 (UR)-Upper Contact  
 (BR)-Bottom Contact  
 (V)-Vertical Type Normal Layout  
 (C)-Vertical Type Reverse Layout  
 (P)-Vertical Type Parallel Layout  
 2- N° of Ways:  
 See Table



<b>MATRIX</b>		<b>MATRIX TECNOLOGIA IND. E COM. LTDA.</b>	
UNIT mm	SCALE	TITLE ZIF SMT FFC/FPC 1,0mm Vertical Type Parallel Layout	DATE JANUARY 2010
TOLERANCE: ±0.25			APP. BY
		MATL	CHK. BY
DWG. NO.			DR. BY <b>Felipe</b>