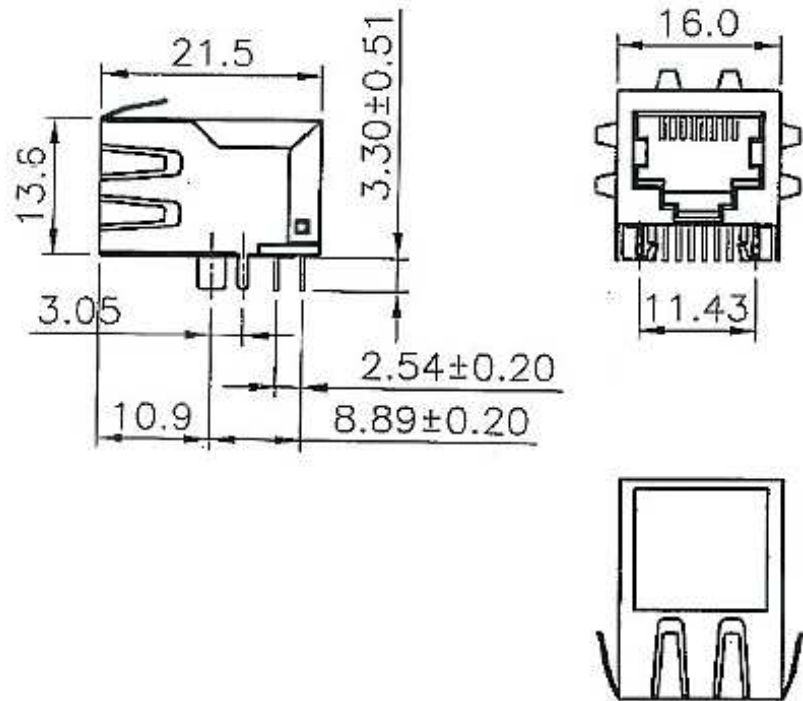
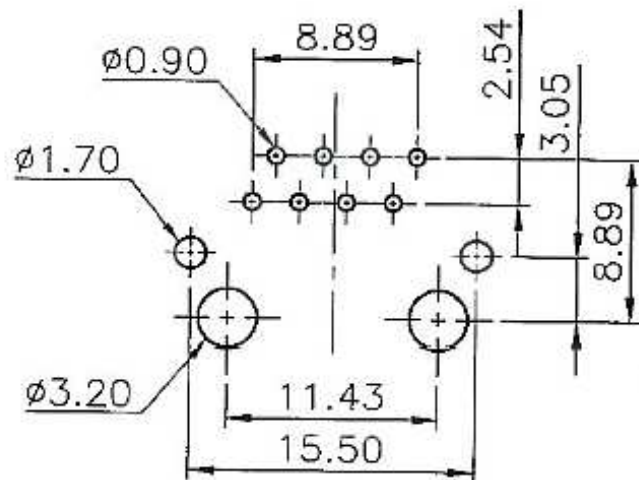


REV	ECN. NO.	APP	DATE
A	EDIÇÃO INICIAL		
B	NOVO CÓDIGO		



Housing: Glass Filled Polyester UL94V-0  
Standard Colour : Black  
Insert : Glass Filled Polyester UL94V-0  
Standard Colour : Black  
Shield : 0.25mm Brass Tin-Lead Plated



PC Board Layout

## HOW TO ORDER: 2002[8P8C][ ][Y][ ]72R

- |                          |  |  |  |
|--------------------------|--|--|--|
| <b>1</b>                 | <b>2</b>   | <b>3</b>                                   | <b>4</b>                                     |
| 1- No. Contact<br>(8P8C) | ( )-Gold 6U"<br>(15)-Gold 15U"<br>(30)-Gold 30U"<br>(50)-Gold 50U" | 3- Body Option:<br>(Y)-With Fully Shielded | 4- Gang Option:<br>( )-1 Jack<br>(4)-4 Jacks |



**MATRIX Tecnologia Ind. e Com. Ltda.**

UNIT	SCALE	TITLE	DATE
mm		RJ Transformer P.C.B. Jack	DECEMBER 2009
TOLERANCE: ±0.25			APP. BY
		MATL	CHK. BY
		DWG. NO.	DR. BY <b>Felipe</b>