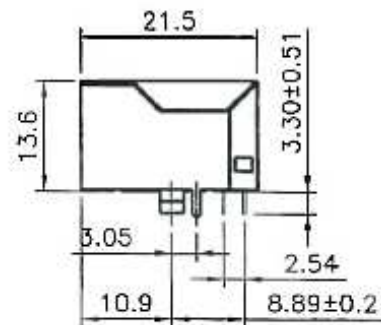
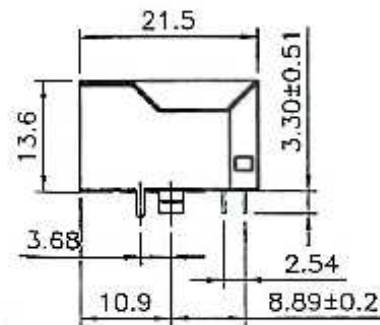


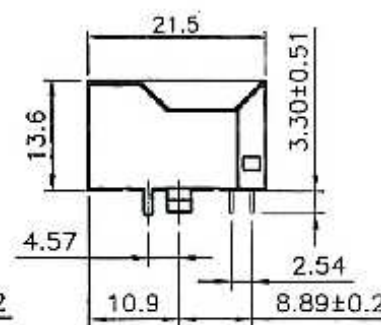
REV	ECN. NO.	APP	DATE
A	EDIÇÃO INICIAL		
B	NOVO CÓDIGO		



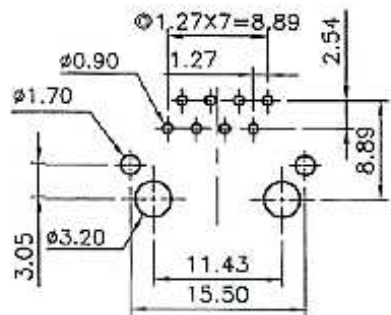
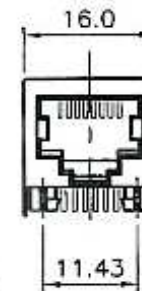
A TYPE



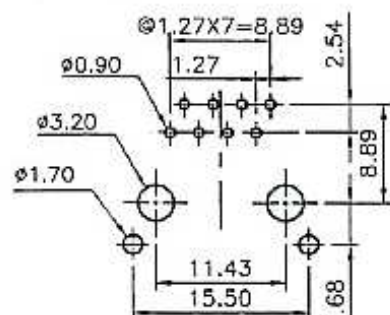
B TYPE



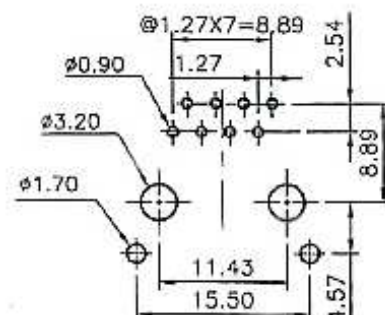
C TYPE



PC Board Layout



PC Board Layout



PC Board Layout

HOW TO ORDER: 2002[8P8C][][][]71R 1 2 3 4

- | | | |
|---|---|---|
| 1- No. Contact
(8P8C) | 3- Body Option:
(N)-W/O Shielded
(G)Fully Shielded A Type
(H)Fully Shielded B Type
(I)Fully Shielded C Type | 4- Gang Option:
()-1 Jack
(2)-2 Jacks
(4)-4 Jacks
(6)-6 Jacks
(8)-8 Jacks |
| 2- Contact Plating:
()-Gold 6U"
(15)-Gold 15U"
(30)-Gold 30U"
(50)-Gold 50U" | | |



MATRIX Tecnologia Ind. e Com. Ltda.

UNIT	SCALE	TITLE	DATE
mm		Side Entry C.5 P.C.B Jack	DECEMBER 2009
TOLERANCE: ±0.25			APP. BY
		MATL	CHK. BY
		DWG. NO.	DR. BY Felipe