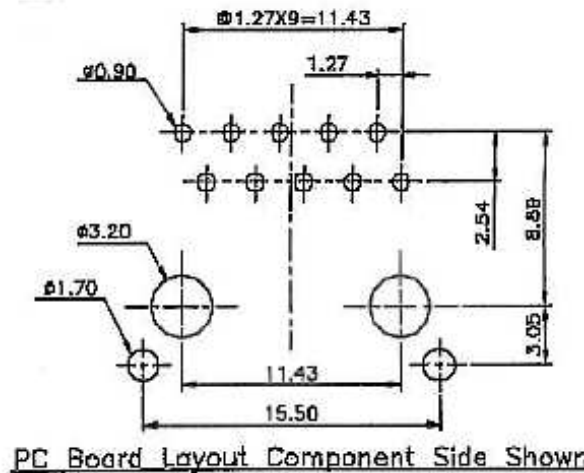
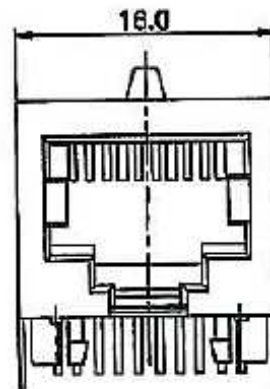
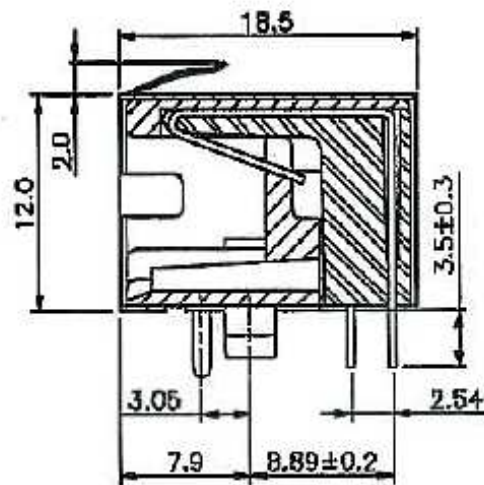
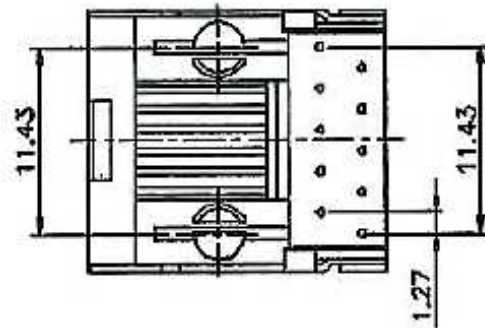


REV	ECN. NO.	APP	DATE
A	EDIÇÃO INICIAL		
B	NOVO CÓDIGO		


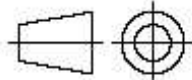


ELECTRICAL:

VOLTAGE RATING : 125 VAC RMS.
 CURRENT RATING : 1.5 AMP.
 CONTACT RESISTANCE : 30 MIOHMS MAX.
 INSULATION RESISTANCE: 1000 MEGOHMS MIN @ 500 VDC.
 DIELECTRIC STRENGTH : 1000 VAC RMS 60Hz, 1MIN.

**HOW TO ORDER:
 2002[][][Y][]62R
 1 2 3 4**

- | | | |
|--|---|---|
| 1- No. Contact
(10P2C)
(10P4C)
(10P6C)
(10P8C)
(10P10C) | 2- Contact Plating:
()-Gold 6U"
(15)-Gold 15U"
(30)-Gold 30U"
(50)-Gold 50U" | 4- Gang Option:
()-1 Jack
(2)-2 Jacks
(4)-4 Jacks
(6)-6 Jacks
(8)-8 Jacks |
| 3- Body Option:
(N)-W/O Shielded
(Y)-With Fully Shielded | | |

 MATRIX TECNOLOGIA IND. E COM. LTDA.			
UNIT mm	SCALE	TITLE	DATE DECEMBER 2009
TOLERANCE: ±0.25		SIDE ENTRY P.C.B JACK (10P) FULLYSHIELDED	APP. BY
		MATL	CHK. BY
DWG. NO.		DR. BY Felipe	