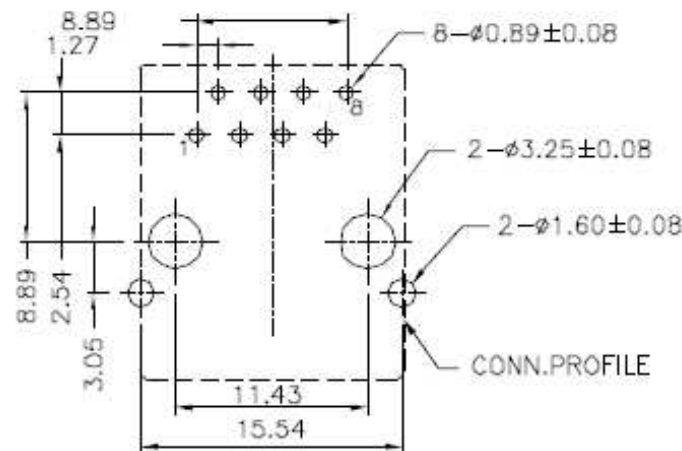
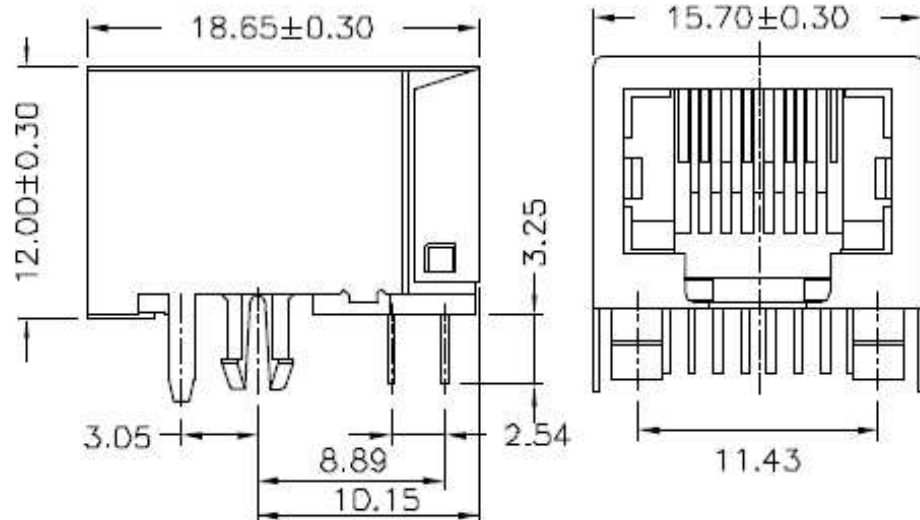


REV	ECN. NO.	APP	DATE
A	EDIÇÃO INICIAL		
B	NOVO CÓDIGO		


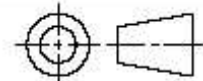
ELECTRICAL:

Current Rating : 1,5 AMP
Voltage Rating : 150 VAC
Contact Resistance : 20 Milliohms MAX
Insulation Resistance : 500 Milliohms MIN
Dielectric Withstanding Voltage : 1000 VAC, 1min



HOW TO ORDER:
2002[8P8C][][J][]60R
1 2 3 4

- | | | |
|----------------|--------------------------|-----------------|
| 1- No. Contact | 2- Contact Plating: | 4- Gang Option: |
| (8P2C) | ()-Gold 6U" | ()-1 Jack |
| (8P4C) | (15)-Gold 15U" | (2)-2 Jacks |
| (8P6C) | (30)-Gold 30U" | (3)-3 Jacks |
| (8P8C) | (50)-Gold 50U" | (4)-4 Jacks |
| (10P2C) | 3- Body Option: | (5)-5 Jacks |
| (10P4C) | (N)-W/O Shielded | (6)-6 Jacks |
| (10P6C) | (F)-Front Shielded Only | (7)-7 Jacks |
| (10P8C) | (G)Fully Shielded A Type | (8)-8 Jacks |
| (10P10C) | (H)Fully Shielded B Type | (9)-9 Jacks |
| | (I)Fully Shielded C Type | (10)-10 Jacks |
| | (J)Fully Shielded D Type | (11)-11 Jacks |
| | | (12)-12 Jacks |

 MATRIX Tecnologia Ind. e Com. Ltda.		UNIT	SCALE	TITLE	DATE
		mm		Side Entry PCB Jack	DECEMBER 2009
		TOLERANCE: ± 0.25			APP. BY
		MATL		CHK. BY	
DWG. NO.				DR. BY Felipe	