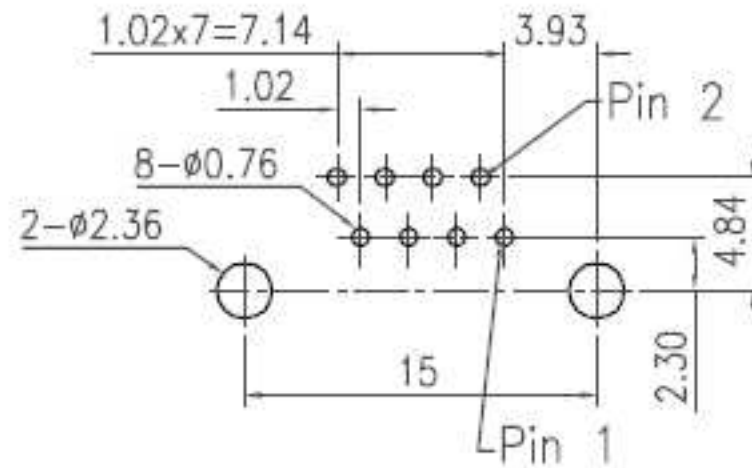
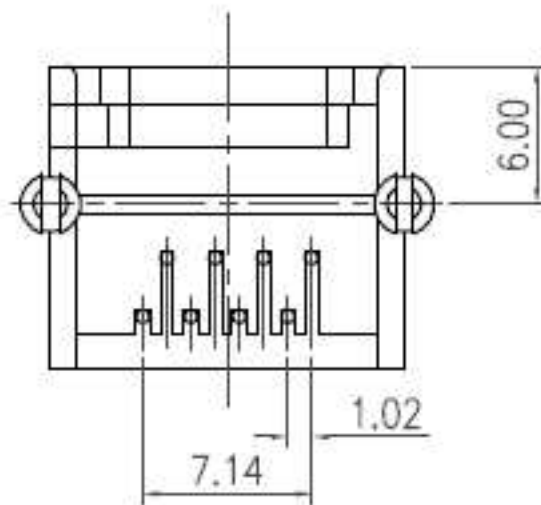
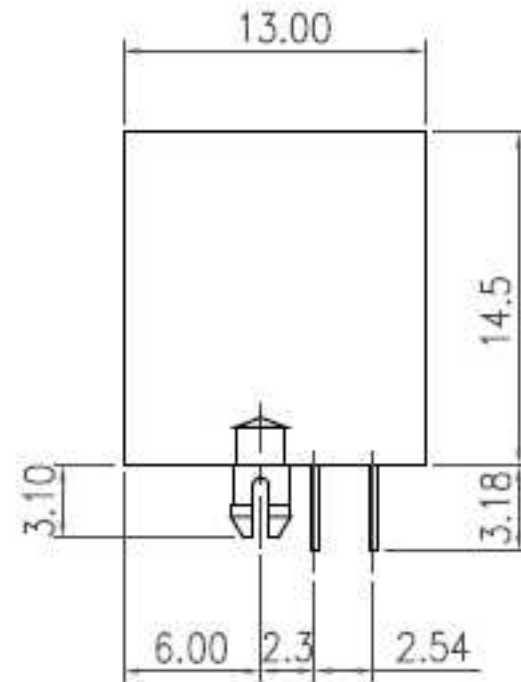
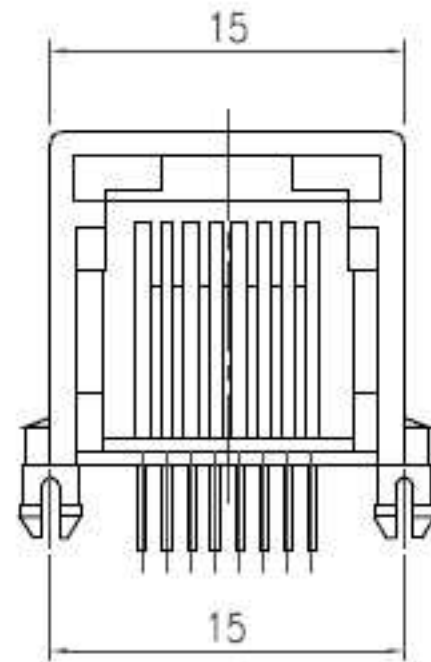


REV	ECN. NO.	APP	DATE
A	EDIÇÃO INICIAL		



PCB Layout

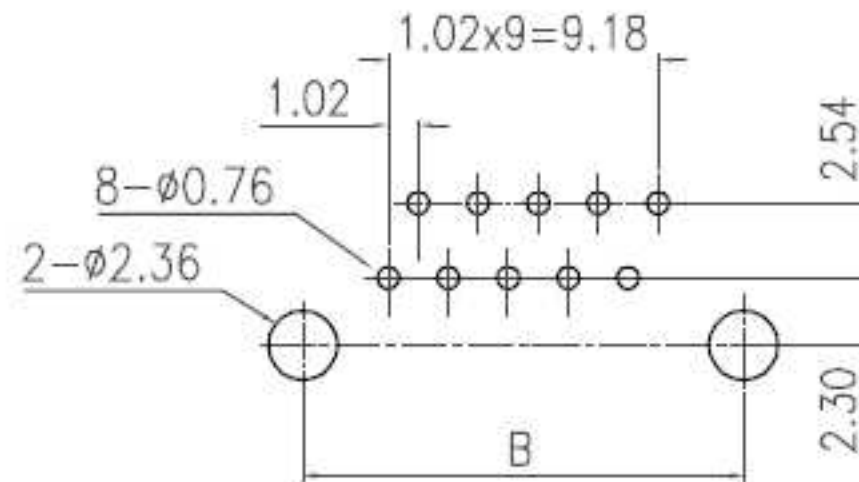
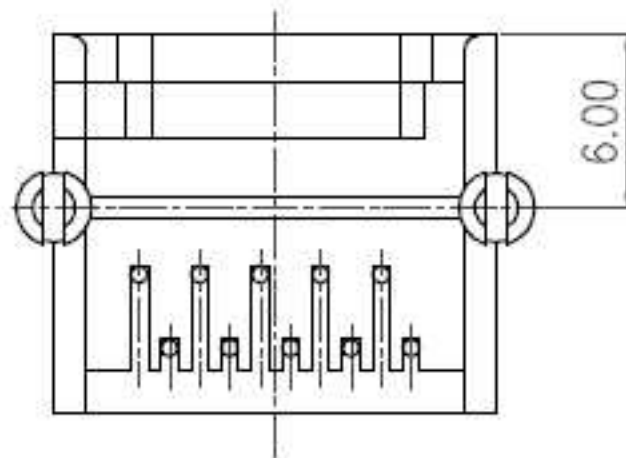
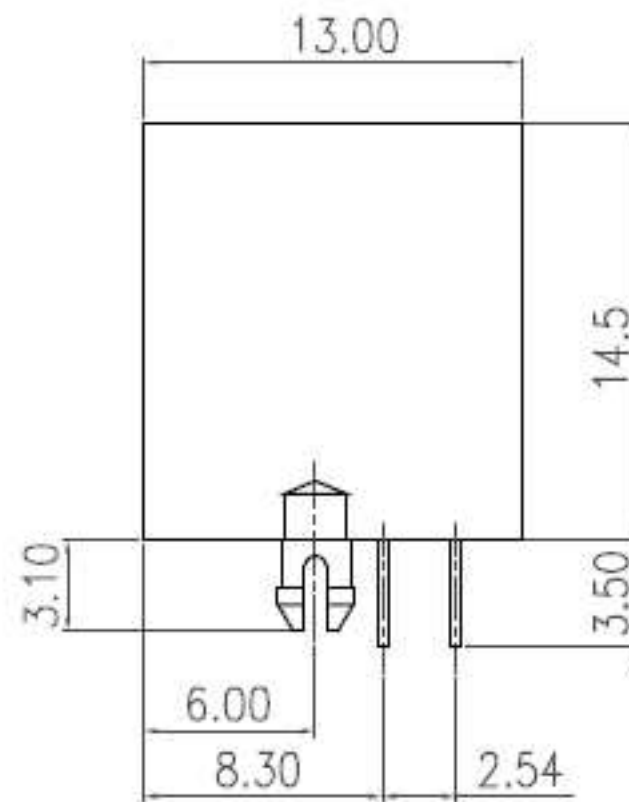
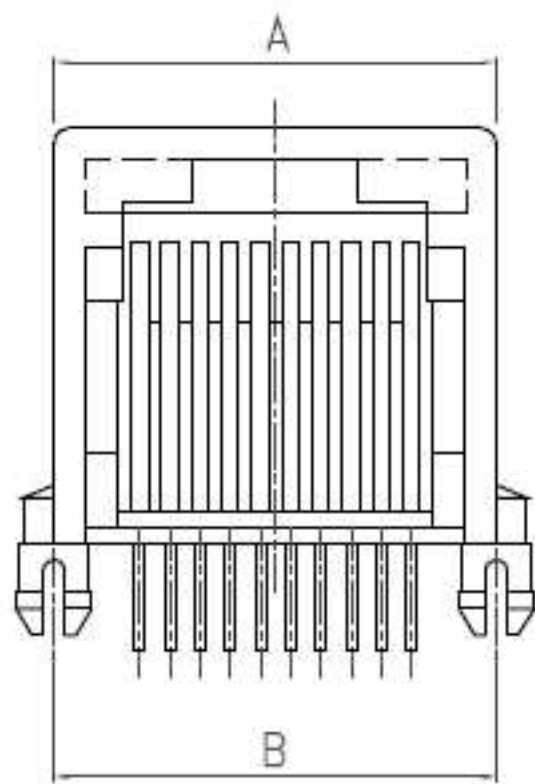
HOW TO ORDER: MX-2002-[8PXC]-[]-[B]-[]-[]

1 2 3 4 5

- | | | |
|----------------|----------------------------------|-----------------------|
| 1- No. Contact | 2- Contact Plating: | 4- Gang Option: |
| (8P2C) | () -Gold 6U" | ()-1 Jack |
| (8P4C) | (15)-Gold 15U" | (2)-2 Jacks |
| (8P2C) | (30)-Gold 30U" | (3)-3 Jacks |
| (8P4C) | (50)-Gold 50U" | (4)-4 Jacks |
| (8P6C) | 3- Body Option: | (5)-5 Jacks |
| (8P8C) | (A)-With Panel Stop (Unshielded) | (6)-6 Jacks |
| | (B)-W/O Panel Stop (Unshielded) | (7)-7 Jacks |
| | | (8)-8 Jacks |
| | | (9)-9 Jacks |
| | | (10)-10 Jacks |
| | | (11)-11 Jacks |
| | | (12)-12 Jacks |
| | | 5- (R)-RoHS Compliant |

		MATRIX Tecnologia Ind. e Com. Ltda.	
UNIT mm	SCALE	TITLE Side entry Mini LP PCB Jack	DATE September 2007
TOLERANCE: ±0.25			APP. BY
		MATL	CHK. BY
		DWG. NO.	DR. BY Diego

REV	ECN. NO.	APP	DATE
A	EDIÇÃO INICIAL		




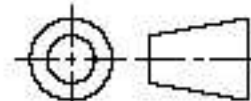
PCB Layout

HOW TO ORDER: MX-2002-[]-[]-[B]-[]-[]

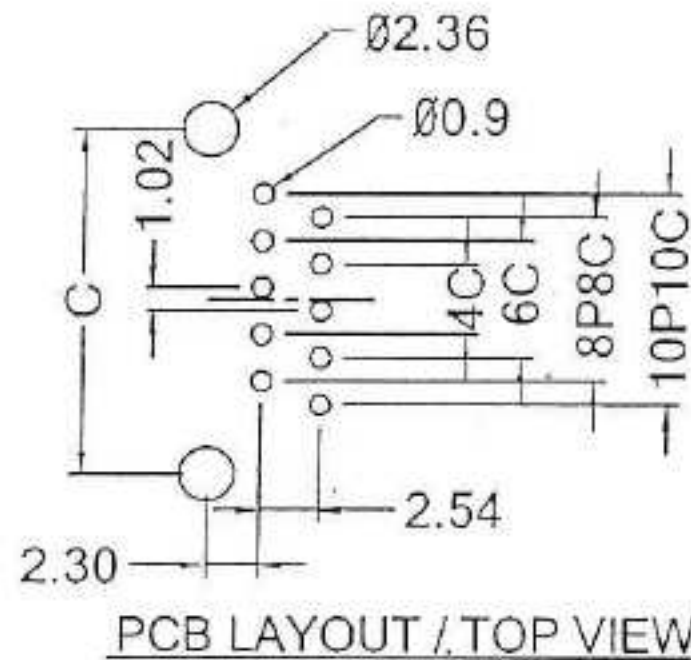
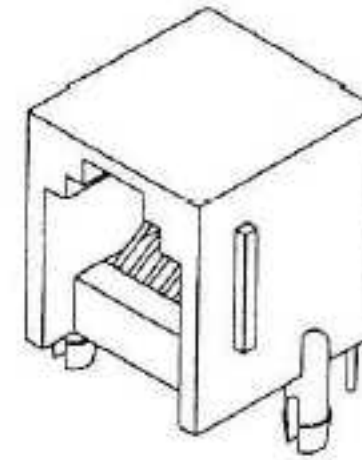
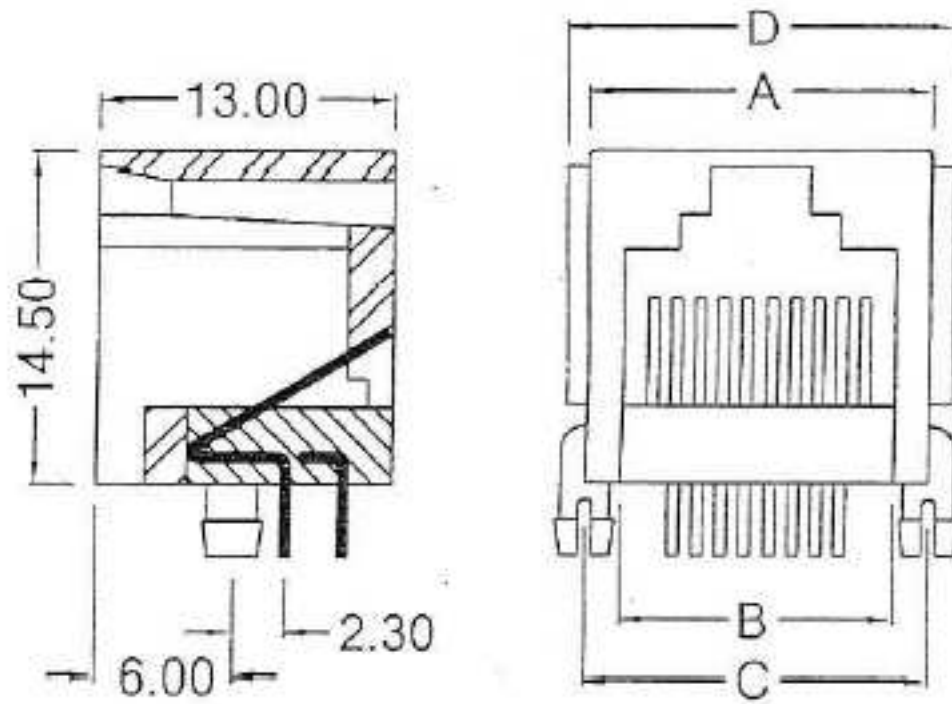
1 2 3 4 5

- 1- No. Contact
(4P2C)
(4P4C)
(6P2C)
(6P4C)
(6P6C)
(10P2C)
(10P4C)
(10P6C)
(10P8C)
(10P10C)
- 2- Contact Plating:
()-Gold 6U"
(15)-Gold 15U"
(30)-Gold 30U"
(50)-Gold 50U"
- 3- Body Option:
(A)-With Panel Stop (Unshielded)
(B)-W/O Panel Stop (Unshielded)
- 4- Gang Option:
()-1 Jack
(2)-2 Jacks
(3)-3 Jacks
(4)-4 Jacks
(5)-5 Jacks
(6)-6 Jacks
(7)-7 Jacks
(8)-8 Jacks
(9)-9 Jacks
(10)-10 Jacks
(11)-11 Jacks
(12)-12 Jacks
- 5- (R)-RoHS Compliant

No. of Positions	Dimensions	
	A	B
4	10	10
6	12.2	12
10	15	15

 MATRIX		MATRIX Tecnologia Ind. e Com. Ltda.	
UNIT mm	SCALE	TITLE Side entry Mini LP PCB Jack 4P, 6P and 10P	DATE September 2007
TOLERANCE: ±0.25		APP. BY	CHK. BY
		MATL	DR. BY Diego
DWG. NO.			

REV	ECN. NO.	APP	DATE
A	EDIÇÃO INICIAL		



HOW TO ORDER: MX-2002-[]-[]-[A]-[]-[]

1 2 3 4 5

- | | | |
|---|--|--|
| <p>1- No. Contact
(4P4C)
(6P2C)
(6P4C)
(6P6C)
(8P8C)
(10P10C)</p> | <p>2- Contact Plating:
()-Gold 6U"
(15)-Gold 15U"
(30)-Gold 30U"
(50)-Gold 50U"</p> <p>3- Body Option:
(A)-With Panel Stop (Unshielded)
(B)-W/O Panel Stop (Unshielded)</p> | <p>4- Gang Option:
()-1 Jack
(2)-2 Jacks
(3)-3 Jacks
(4)-4 Jacks
(5)-5 Jacks
(6)-6 Jacks
(7)-7 Jacks
(8)-8 Jacks
(9)-9 Jacks
(10)-10 Jacks
(11)-11 Jacks
(12)-12 Jacks</p> <p>5- (R)-RoHS Compliant</p> |
|---|--|--|

position	contact	A	B	C	D
4P	4C	10.00	7.85	10.00	12.00
(6P)4P	4C	12.20	7.85	12.00	14.20
6P	2C/4C/6C	12.20	9.90	12.00	14.20
8P	8C	15.00	11.85	15.00	16.90
10P	10C	15.00	11.85	15.00	16.90

MATRIX TECNOLOGIA IND. E COM. LTDA.			
UNIT mm	SCALE	TITLE Side entri Mini LP PCB Jack With Panel Stop	DATE NOVEMBER 2007
TOLERANCE: ±0.25			APP. BY
		MATL	CHK. BY
		DWG. NO.	DR. BY DINO