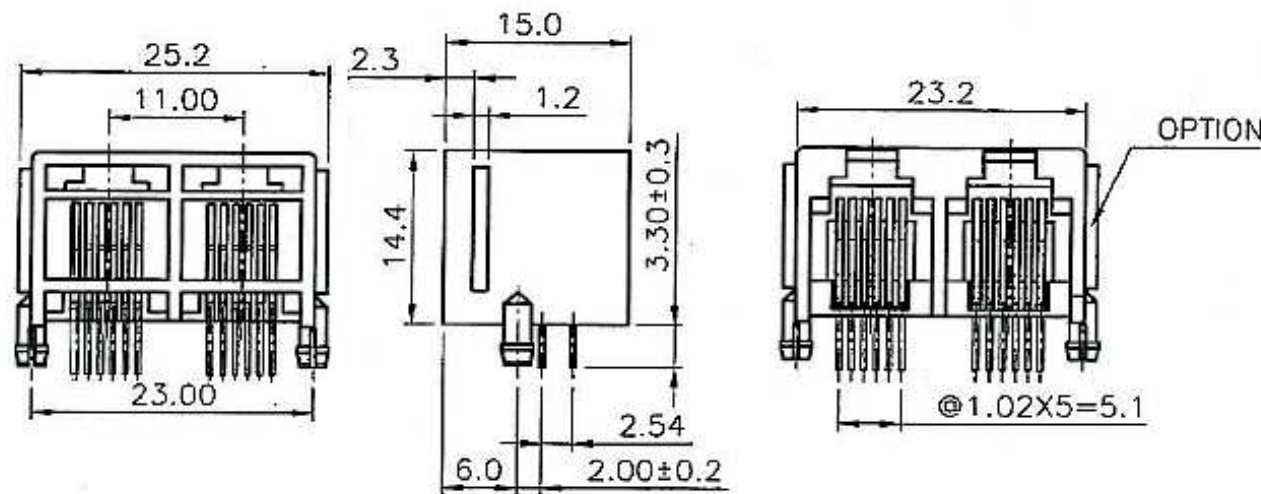


REV	ECN. NO.	APP	DATE
A	EDIÇÃO INICIAL		
B	NOVO CÓDIGO		



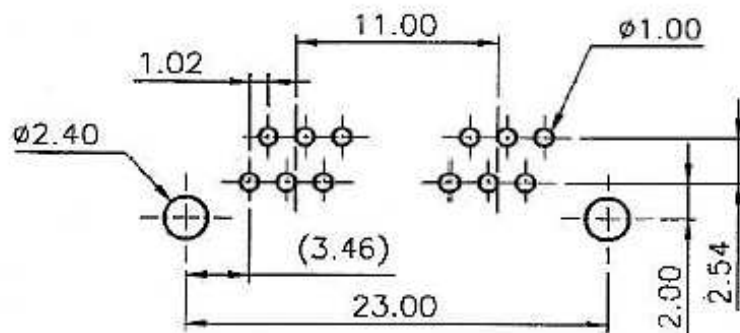
HOW TO ORDER: 2002[][][A]79R

1 2 3

1- No. Contact
(6P2C)
(6P4C)
(6P6C)

3- Body Option:
(A)-With Panel Stop (Unshielded)
(B)-W/O Panel Stop (Unshielded)

2- Contact Plating:
()-Gold 6U"
(15)-Gold 15U"
(30)-Gold 30U"
(50)-Gold 50U"



PC Board Layout



MATRIX Tecnologia Ind. e Com. Ltda.

UNIT	SCALE	TITLE	DATE
mm		Side Entry LP Dual Port Jack (6P)	DECEMBER 2009
TOLERANCE: ±0.25			APP. BY
		MATL	CHK. BY
		DWG. NO.	DR. BY Felipe