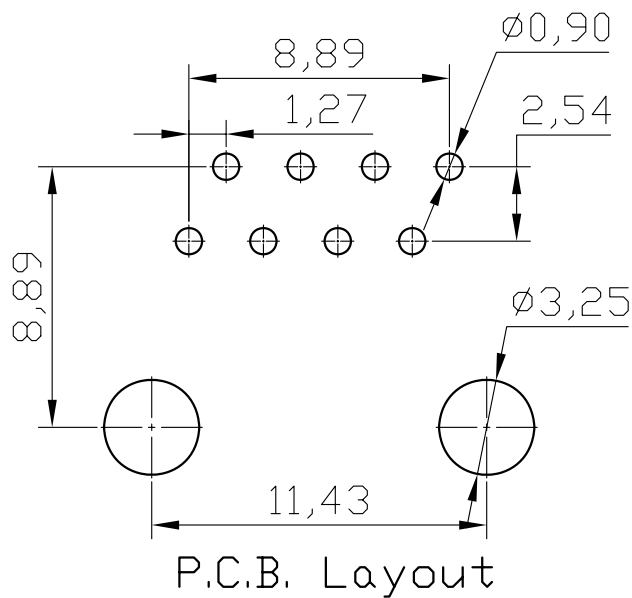
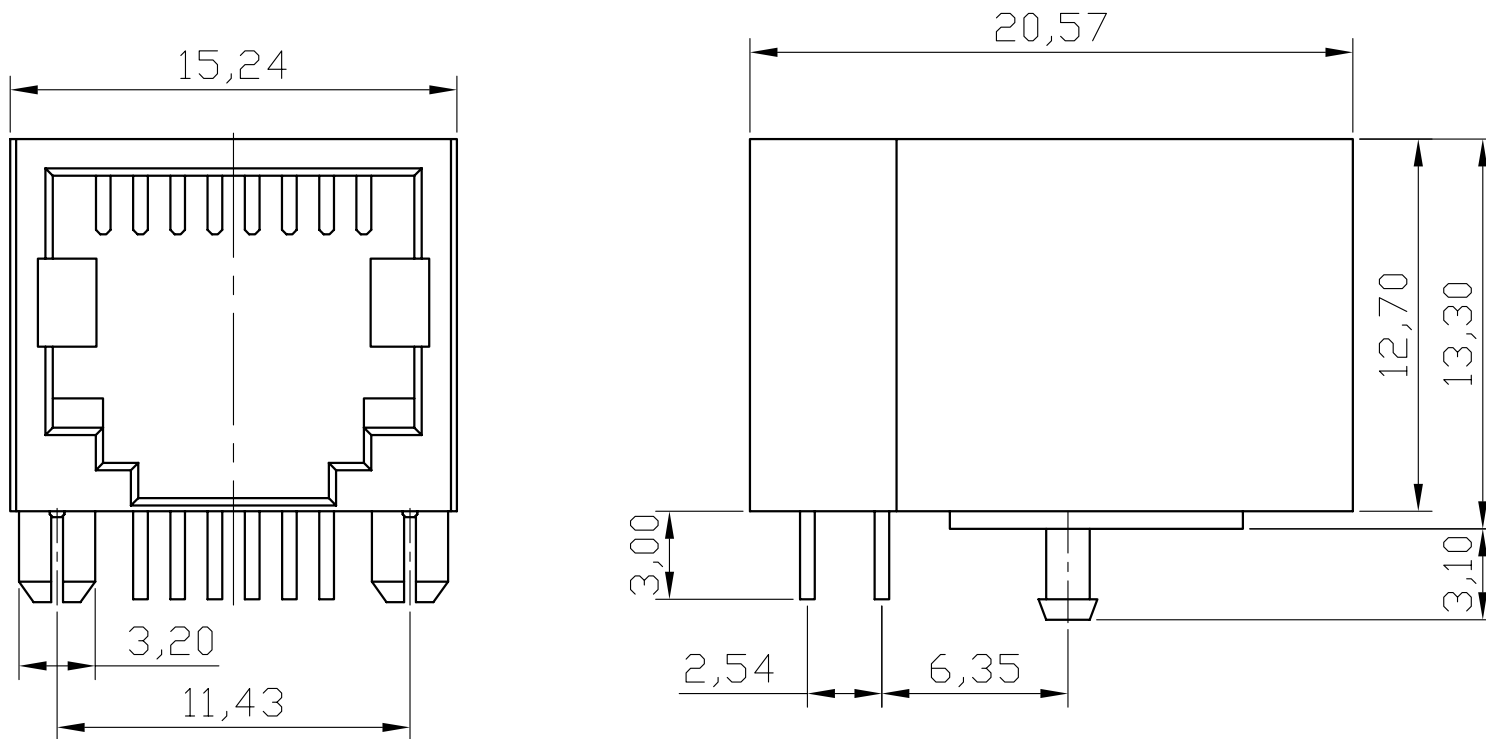


REV	ECN. NO.	APP	DATE
A	EDIÇÃO INICIAL		
B	NOVO CÓDIGO		



HOW TO ORDER: 2002[8P8C][][N][]60R

1 2 3 4

- | | | |
|--|---|--|
| 1- No. Contact
(8P2C)
(8P4C)
(8P6C)
(8P8C)
(10P2C)
(10P4C)
(10P6C)
(10P8C)
(10P10C) | 2- Contact Plating:
()-Gold 6U"
(15)-Gold 15U"
(30)-Gold 30U"
(50)-Gold 50U" | 4- Gang Option:
()-1 Jack
(2)-2 Jacks
(3)-3 Jacks
(4)-4 Jacks
(5)-5 Jacks
(6)-6 Jacks
(7)-7 Jacks
(8)-8 Jacks
(9)-9 Jacks
(10)-10 Jacks
(11)-11 Jacks
(12)-12 Jacks |
| | 3- Body Option:
(N)-W/D Shielded
(F)-Front Shielded Only
(G)-Fully Shielded A Type
(H)-Fully Shielded B Type
(I)-Fully Shielded C Type | |



MATRIX Tecnologia Ind. e Com. Ltda.

UNIT mm	SCALE 4:1	TITLE Side entry P.C.B Jack	DATE DECEMBER 2009
TOLERANCE: ± 0.25			APP. BY
		MATL	CHK. BY
		DWG. NO.	DR. BY FELIPE