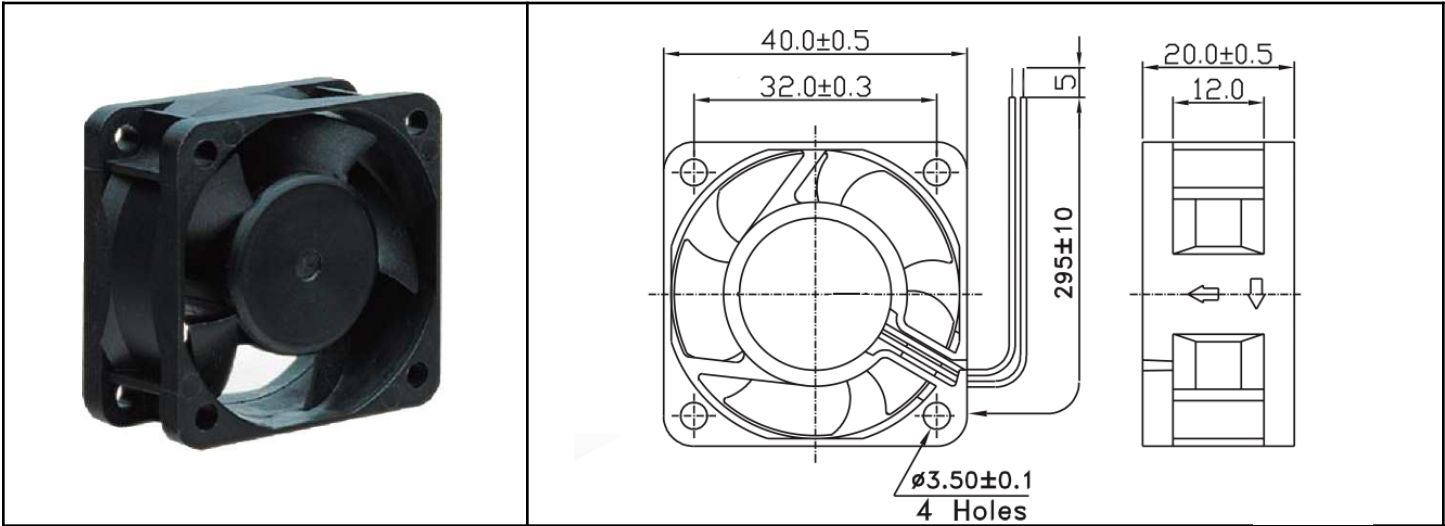


OD4020 Series



DC Fan - 5, 12, 24V
40x20mm (1.58"x 0.79")



| | | |
|-----------------------|--|--|
| Frame & Impeller | PBT, UL94V-O plastic | |
| Connection | 2x Lead wires 26AWG | |
| Motor | Brushless DC, auto restart, impedance and polarity protected | |
| Bearing System | Ball bearing | |
| Insulation Resistance | 10M ohm between leadwire and frame (500VDC) | |
| Dielectric Strength | 1 second at 500 VAC, max leakage - 500 MicroAmp | |
| Storage Temperature | -30C ~ +90C | |

| Model Number | Speed (RPM) | Airflow (CFM) | Noise (dB) | Volts DC | Voltage Range (VDC) | Amps | Max. Static Pressure ("H2O) |
|--------------|-------------|---------------|------------|----------|---------------------|------|-----------------------------|
| OD4020-05HB | 7800 | 9 | 32 | 5 | 4.5 ~ 5.5 | 0.29 | 0.30 |
| OD4020-05MB | 6500 | 7.3 | 28 | 5 | 4.5 ~ 5.5 | 0.16 | 0.19 |
| OD4020-05LB | 6000 | 6.8 | 29 | 5 | 4.5 ~ 5.5 | 0.14 | 0.15 |
| OD4020-12HB | 7800 | 9 | 32 | 12 | 7 ~ 14 | 0.10 | 0.30 |
| OD4020-12MB | 6900 | 8 | 28 | 12 | 7 ~ 14 | 0.08 | 0.24 |
| OD4020-12LB | 6200 | 7 | 24 | 12 | 7 ~ 14 | 0.07 | 0.19 |
| OD4020-24HB | 7800 | 9 | 32 | 24 | 10 ~ 27 | 0.09 | 0.30 |
| OD4020-24MB | 6900 | 8 | 28 | 24 | 10 ~ 27 | 0.07 | 0.24 |
| OD4020-24LB | 6200 | 7 | 24 | 24 | 10 ~ 27 | 0.06 | 0.19 |

Life Expectancy (L10)
Ball - 60,000 hrs (45C)

Operating Temperature
Ball: -20 ~ 80C

Available Options:

- Sleeve Bearing
- Sealed Sleeve Bearing
- Tachometer
- Alarm
- Thermal control

10557 Metric Drive
Dallas, Texas 75243
214-340-0265



OrionFans.com
Information and data is subject to change without prior notification.