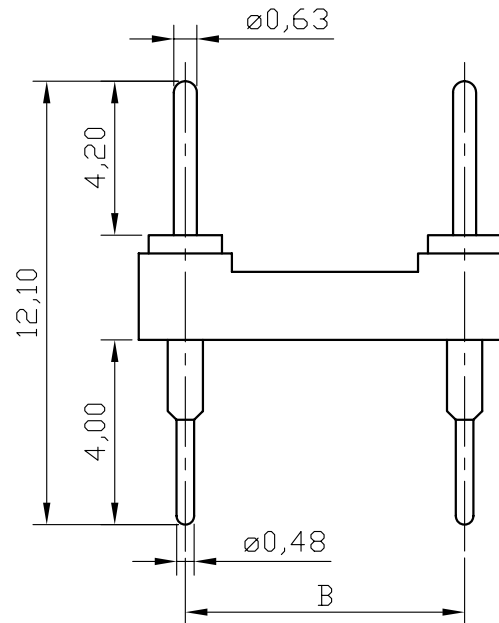
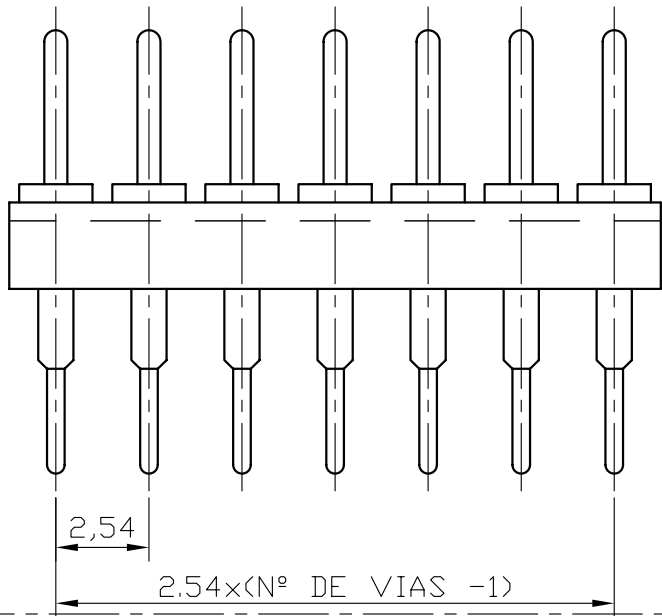
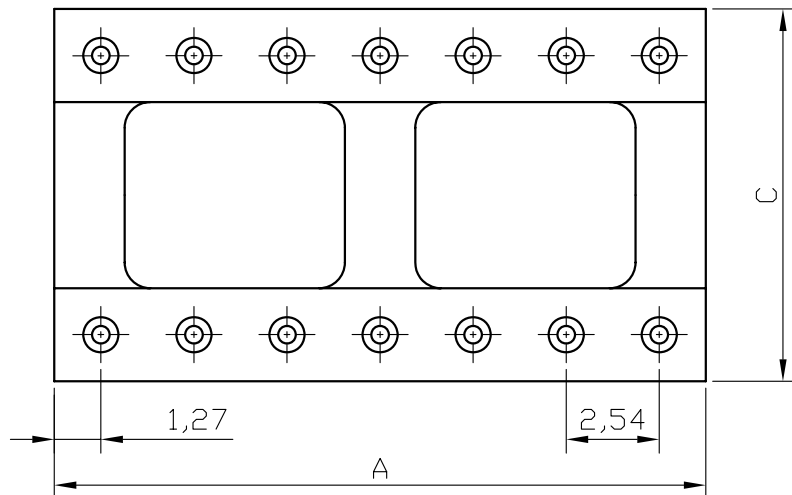


REV	ECN. NO.	APP	DATE
A	EDIÇÃO INICIAL		
B	NOVO CÓDIGO		



SPECIFICATIONS:

Insulator: Black Glass filled Polyester UL 94V-0
 Current Rating: 1Amp
 Contact Resistance: max. 10mΩ
 Dielectric Strength: min. 1000 V_{RMS}
 Operating Temperature: -55°C to 125°C
 Max. Working Voltage: 100 V_{RMS} / 150 V_{DC}
 Insulator Resistance: 500V AC



Nº de Vias	A	B	C
06	7.62	7.62	10.16
08	10.16	7.62	10.16
14	17.78	7.62	10.16
16	20.32	7.62	10.16
18	22.86	7.62	10.16
20	25.40	7.62	10.16
22	27.94	10.16	12.70
24	30.48	15.24	17.78
24I*	30.40	7.62	10.16
28	35.56	15.24	17.78
28I*	35.40	7.62	10.16
32	40.62	15.24	17.78
40	50.80	15.24	17.78

Table 1 * Narrow version

**HOW TO ORDER:
 SCB[][][][]R
 1 2 3 4**

- 1- Num. Ways: Table 1
- 2- Terminal Plating: (E)-Sn (D)-FLASH Au (F)-0,38um Au (G)-0,76um Au
- 3- (E) Narrow version
- 4- Insulator: (N)- HB (P)- V0



MATRIX Tecnologia Ind. e Com. Ltda.

UNIT mm	SCALE 5:1	TITLE IC Socket Type Piggy-Back	DATE DECEMBER 2009
TOLERANCE: ±0.25			APP. BY
		MATL	CHK. BY
DWG. NO.			DR. BY FELIPE