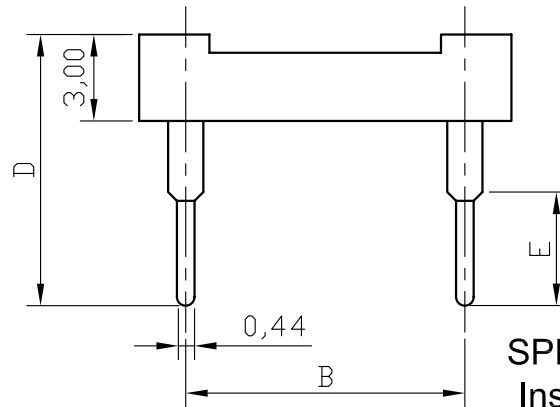
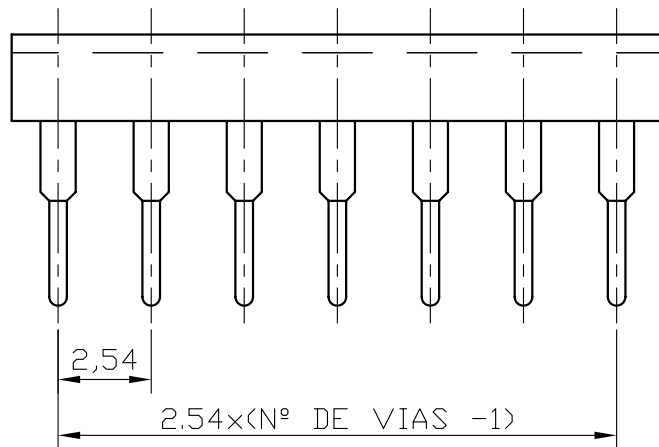
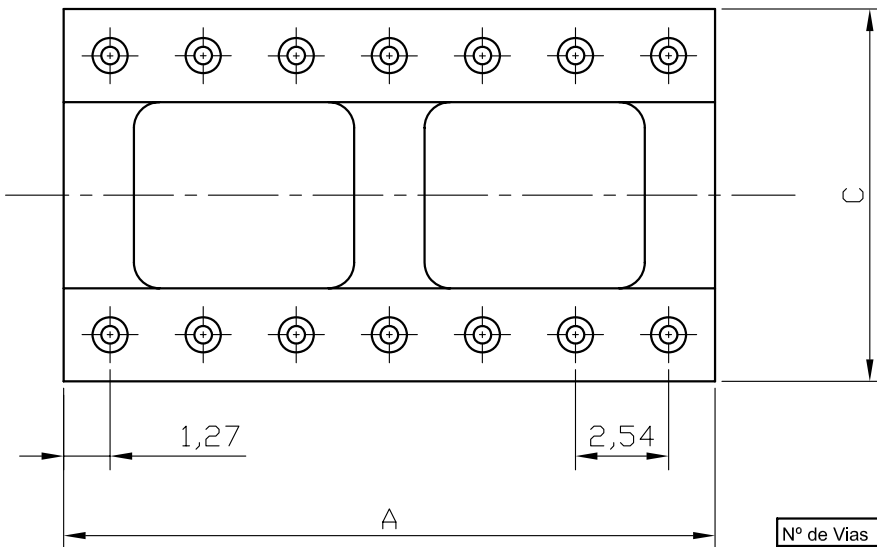


REV	ECN. NO.	APP	DATE
A	EDIÇÃO INICIAL		
B	NOVO CÓDIGO		



**SPECIFICATIONS:**

Insulator: Black Glass filled Polyester UL 94V-0  
 Current Rating: 1Amp  
 Contact Resistance: max. 10mΩ  
 Dielectric Strength: min. 1000 V<sub>RMS</sub>  
 Operating Temperature: -55°C to 125°C  
 Max. Working Voltage: 100 V<sub>RMS</sub> / 150 V<sub>DC</sub>  
 Insulator Resistance: 500V AC



Nº de Vias	A	B	C
06	7.62	7.62	10.16
08	10.16	7.62	10.16
14	17.78	7.62	10.16
16	20.32	7.62	10.16
18	22.86	7.62	10.16
20	25.40	7.62	10.16
22	27.94	10.16	12.70
24	30.48	15.24	17.78
24I*	30.40	7.62	10.16
28	35.56	15.24	17.78
28I*	35.40	7.62	10.16
32	40.62	15.24	17.78
40	50.80	15.24	17.78

Tabela 1 \* Versão Estreita

PINO	D	E
SCI	7.40	3.10
SCT	8.00	3.70
SCL	11.10	6.80
SCZ	12.00	3.15
SCM	25.80	4.50

Tabela 2

**HOW TO ORDER:**  
**SC [ ] [ ] [ ] [ ] [ ] R**  
**1 2 3 4 5**

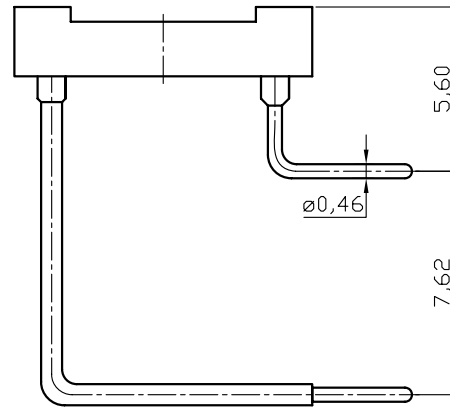
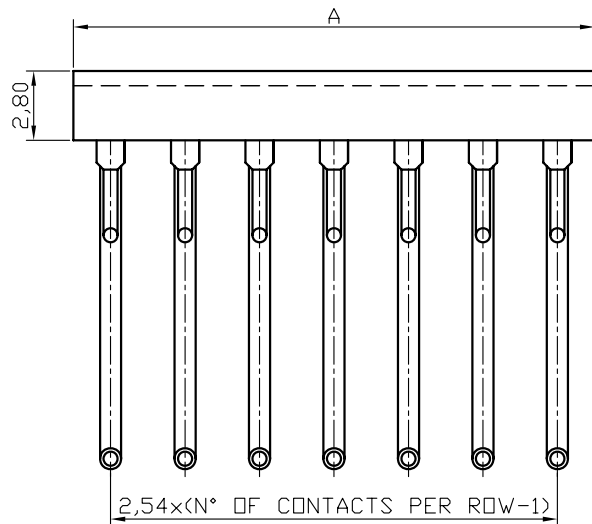
- 1- Height Pin: Table 2
- 2- Num. Ways: Table 1
- 3- Spring Plating: (E)-Sn (D)-FLASH Au (F)-0,38um Au (G)-0,76um Au
- 4- Terminal Plating: (E)-Sn (D)-FLASH Au (F)-0,38um Au (G)-0,76um Au
- 5- Insulator: (N)- HB (P)- V0



**MATRIX Tecnologia Ind. e Com. Ltda.**

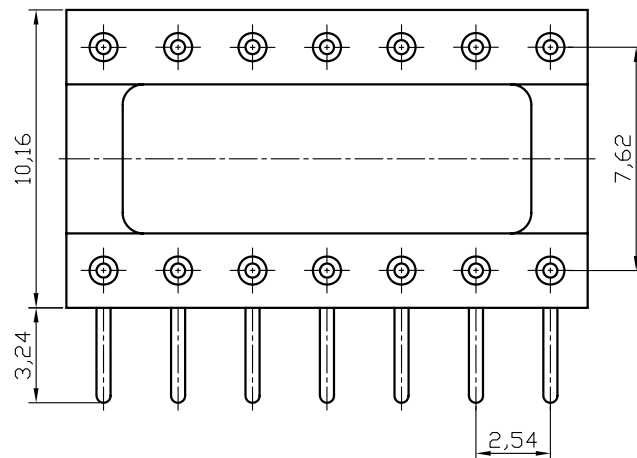
UNIT mm	SCALE 5:1	TITLE Sockets Machined Pin	DATE DECEMBER 2009
TOLERANCE: ±0.25			APP. BY
		MATL	CHK. BY
		DWG. NO.	DR. BY FELIPE

REV	ECN. NO.	APP	DATE
A	EDIÇÃO INICIAL		
B	NOVO CÓDIGO		



Table

Contacts	A
06	7.62
08	10.16
10	12.70
12	15.24
14	17.78
16	20.32
18	22.86
20	25.40
22	30.04
24	30.48



### HOW TO ORDER: SCR[ ][ ][ ]R

1 2 3

- 1- N° of Contacts: Table  
 2- Spring Plating:  
 (E)-Sn  
 (D)-FLASH Au  
 (F)-0,38um Au  
 (G)-0,76um Au  
 3- Terminal Plating:  
 (E)-Sn



MATRIX TECNOLOGIA IND. E COM. LTDA.

UNIT mm	SCALE	TITLE	DATE DECEMBER 2009
TOLERANCE: ±0.25		SOCKET 90°	APP. BY
		MATL	CHK. BY
		DWG. NO.	DR. BY FELIPE