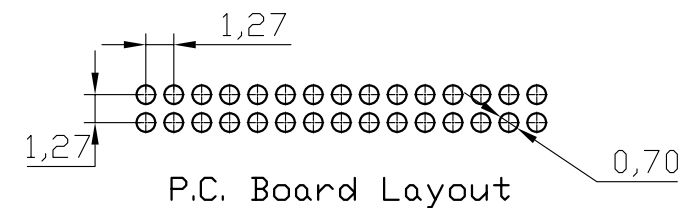
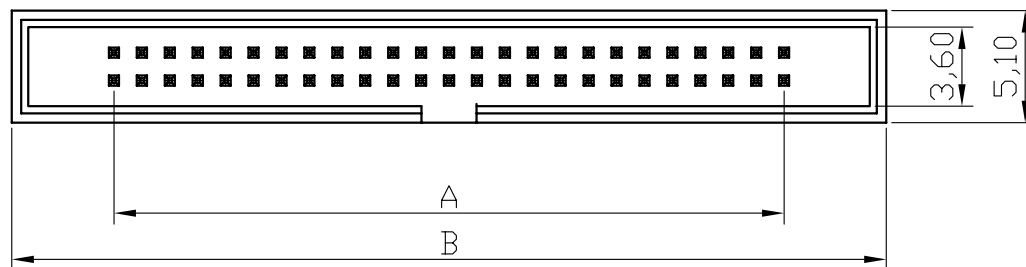
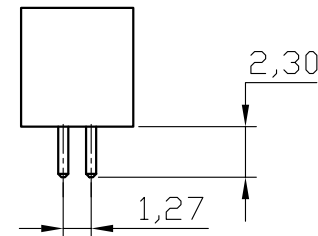
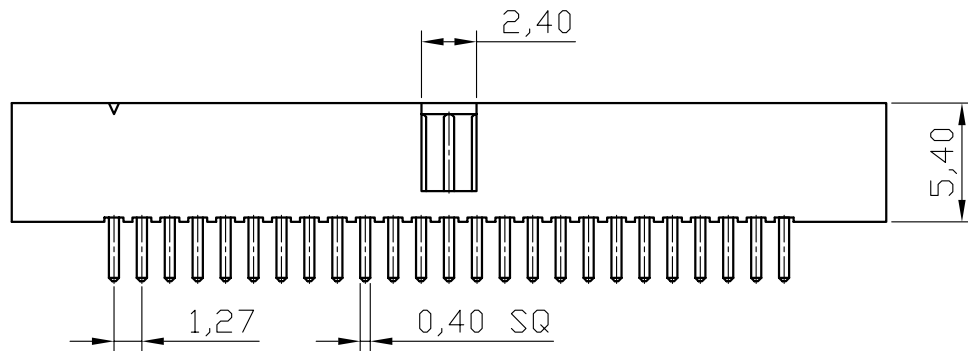


REV	ECN. NO.	APP	DATE
A	EDIÇÃO INICIAL		
B	NOVO CÓDIGO		



### HOW TO ORDER: 3127[S][ ][ ]R 1 2 3

- 1- Pin Style  
(R)-90°  
(S)-180°
- 2- Nr. of Ways  
20 to 100
- 3- Terminal Plating:  
(D)-FLASH Au  
(F)-0,38um Au  
(G)-0,76um Au  
(C)-0,38um Au/Sn  
(H)-0,76um Au/Sn

Circuits	A	B
20	11,43	19,00
26	15,24	22,81
30	17,78	25,35
34	20,32	27,89
40	24,13	31,70
50	30,48	38,05
60	36,83	44,40
68	41,91	49,48
80	49,53	57,10
100	62,23	68,90



**MATRIX Tecnologia Ind. e Com. Ltda.**

UNIT	SCALE	TITLE	DATE
mm	3:1	1.27x1.27mm Double Row	DECEMBER 2009
TOLERANCE: ±0.25		180° PHT	APP. BY
		MATL	CHK. BY
		DWG. NO.	DR. BY FELIPE