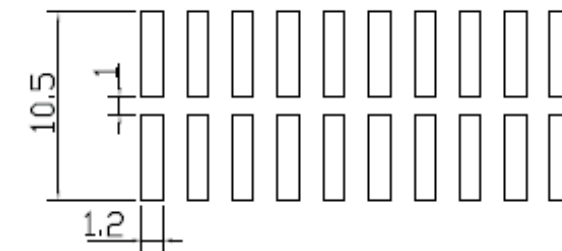
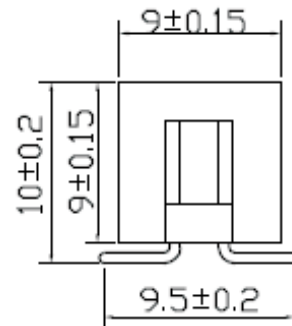
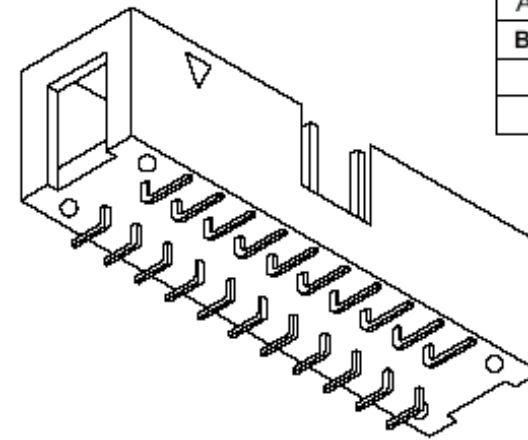
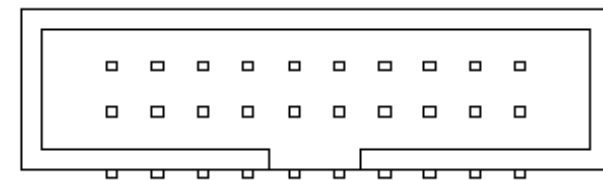
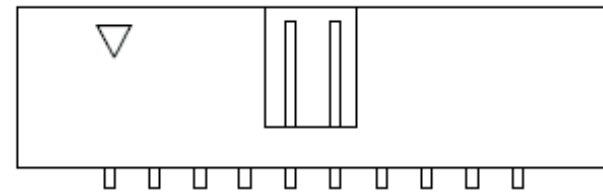
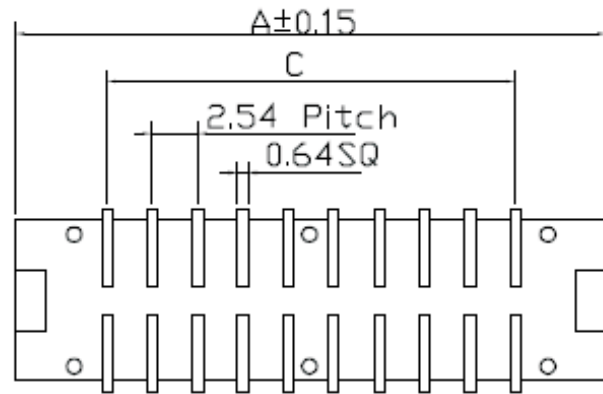


REV	ECN. NO.	APP	DATE
A	EDIÇÃO INICIAL		
B	NOVO CÓDIGO		



P.C. Board Layout

HOW TO ORDER: 3025[S][][]DR

1 2 3

- 1- Pin Style (S)-180°
- 2- Nr. of Ways 6 to 50
- 3- Terminal Plating: (D)-FLASH Au (F)-0,38um Au (G)-0,76um Au (C)-0,38um Au/Sn (H)-0,76um Au/Sn

CIRCUITS	A	B	C
6	12.70	12.94	5.08
8	15.24	15.48	7.62
10	20.32	18.02	10.16
14	25.40	23.10	15.24
16	27.94	25.64	17.78
20	33.02	30.72	22.86
24	38.10	35.80	27.94
26	40.64	38.34	30.48
30	45.72	43.42	35.56
34	50.80	48.50	40.64
40	58.42	56.12	48.26
50	71.12	68.82	60.96

		MATRIX TECNOLOGIA IND. E COM. LTDA.	
UNIT mm	SCALE	TITLE Box Header 2.54mm SMT	DATE DECEMBER 2009
TOLERANCE: ± 0.25			APP. BY
		MATL	CHK. BY
		DWG. NO.	DR. BY Felipe